



ASSEMBLY



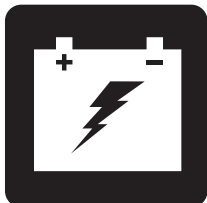
OPERATION



COMFORT



MAINTENANCE



BATTERY CHARGING

# MV600

## OWNER'S MANUAL

# SAFETY GUIDELINES



**WARNING!** An authorized dealer or qualified technician must perform the initial setup of this vehicle and must perform all of the procedures in this manual.

The symbols below are used throughout this owner's manual and on the vehicle to identify warnings and important information. It is very important for you to read them and understand them completely.



**WARNING!** Indicates a potentially hazardous condition/situation. Failure to follow designated procedures can cause either personal injury, component damage, or malfunction. On the product, this icon is represented as a black symbol on a yellow triangle with a black border.



**MANDATORY!** These actions should be performed as specified. Failure to perform mandatory actions can cause personal injury and/or equipment damage. On the product, this icon is represented as a white symbol on a blue dot with a white border.



**PROHIBITED!** These actions are prohibited. These actions should not be performed at any time or in any circumstances. Performing a prohibited action can cause personal injury and/or equipment damage. On the product, this icon is represented as a black symbol with a red circle and red slash.

## INTENDED USE

The intended use of the mobility device is to provide mobility to persons limited to a seated position that have the capability of operating a scooter.

## REGARDING DEVICES FOR PRESCRIPTION USE



**CAUTION!** Federal law restricts this device to sale by or on the order of a physician or other certified personnel licensed by the law of the State (US only) or region in which this personnel practices to use or order the use of the device.

Please fill out the following information for quick reference:

Dealer: \_\_\_\_\_

Address: \_\_\_\_\_

Phone Number: \_\_\_\_\_

Purchase Date: \_\_\_\_\_ Serial Number: \_\_\_\_\_

**NOTE:** This owner's manual is compiled from the latest specifications and product information available at the time of publication. We reserve the right to make changes as they become necessary. Any changes to our products may cause slight variations between the illustrations and explanations in this manual and the product you have purchased. The latest/current version of this manual is available on our website.

**NOTE:** This product is compliant with WEEE, RoHS, and REACH directives and requirements.

**NOTE:** This product meets IPX4 classification (IEC 60529).

**NOTE:** The MV600 and its components are not made with natural rubber latex. Consult with the manufacturer regarding any after-market accessories.



# CONTENTS

<b>SAFETY GUIDELINES</b>	<b>2</b>
<b>I. SAFETY</b>	<b>4</b>
<b>II. YOUR VEHICLE</b>	<b>7</b>
<b>III. BATTERIES AND CHARGING</b>	<b>15</b>
<b>IV. OPERATION</b>	<b>22</b>
<b>V. COMFORT ADJUSTMENTS</b>	<b>24</b>
<b>VI. DISASSEMBLY AND ASSEMBLY</b>	<b>28</b>
<b>VII. BASIC TROUBLESHOOTING</b>	<b>29</b>
<b>VIII. CARE AND MAINTENANCE</b>	<b>31</b>

# I. SAFETY

## PRODUCT SAFETY SYMBOLS

The symbols below are used on the vehicle to identify warnings, mandatory actions, and prohibited actions. It is very important for you to read and understand them completely.

**NOTE:** There are more warnings identified and explained in the Consumer Safety Guide that is included with your vehicle. Please become familiar with all the warnings and safety information found in the Consumer Safety Guide and refer to this resource often.



**Read and follow the information in the owner's manual.**



**Indicates UNOCCUPIED vehicle securement points**



**Vehicle information label**



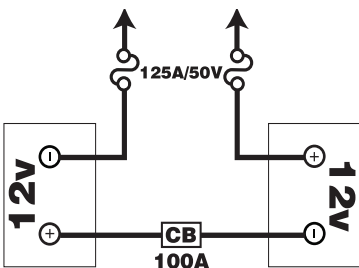
**Manufactured in**



or



**Does not meet ISO 7176-19 standards for occupied transport in a motor vehicle. When travelling in a motor vehicle, do not sit in your vehicle.**



**Battery Set Configuration:**

**+ = Positive (Red) Terminal Post**

**- = Negative (Black) Terminal Post**

**Connect Red wires to Red Positive (+) Terminal Posts.**

**Connect Black wire to Black Negative (-) Terminal Posts.**



**Fully charge batteries before operating.**

**Remove key from an unattended vehicle.**

# I. SAFETY

## GENERAL



**MANDATORY! Do not operate your new vehicle for the first time without completely reading and understanding this owner's manual and the Consumer Safety Guide.**

Your vehicle is a state-of-the-art product. We provide an extensive variety of products to best fit the individual needs of the vehicle user.

There are certain situations where the vehicle user will need to practice operating the vehicle.

As you begin using your vehicle during daily activities, you will probably encounter situations in which you will need some practice. Simply take your time and you will soon be in full and confident control as you maneuver through doorways, on and off elevators, up and down ramps, and over moderate terrain.

Additional general information can be found on the supplemental information sheets and booklets included in your Owner's Package. Please fully read and review the information, and keep it readily available for future reference.

Below are some precautions, tips and other safety considerations that will help you become accustomed to operating the vehicle safely.

### PRE-RIDE SAFETY CHECK

Get to know the feel of your vehicle and its capabilities. We recommend that you perform a safety check before each use to make sure your vehicle operates smoothly and safely.

#### Perform the following inspections prior to using your vehicle:

- Check the condition of the tires. Make sure they are not damaged or excessively worn.
- Check all electrical connections. Make sure they are tight and not corroded.
- Check all harness connections. Make sure they are secured properly.
- Check the brakes to ensure they operate properly.
- Check the battery condition meter to ensure the batteries are fully charged.
- Ensure the manual freewheel lever is in drive mode before sitting on the vehicle.

If you discover a problem, contact your authorized dealer for assistance. Please refer to the Contact Information insert in your Owner's Package.

### BRAKING INFORMATION

Your vehicle is equipped with these powerful brake systems:

- Regenerative: Uses electricity to rapidly slow the vehicle when the throttle control lever returns to the center/stop position.
- Disc Park Brake: Activates mechanically after regenerative braking slows the vehicle to near stop or when power is removed from the system for any reason.
- Handbrake: This lever provides you with emergency stopping power. See II. "Your Vehicle."

# I. SAFETY

## HANDBRAKE LEVER

The handbrake lever contains hydraulic fluid. When the lever is depressed, the fluid is pushed through the brake line to engage the brake pads against the brake discs. The handbrake lever is a completely sealed unit, meaning that the hydraulic fluid should not leak; however, there are certain safety measures that should be taken if the handbrake lever becomes cracked or damaged.

- Do not touch spilled material unless wearing protective equipment, such as safety goggles and gloves.
- For small spills, cover the material with dry earth, sand or other non-combustible absorbent material. Once absorbed, enclose the material in a plastic bag and contact your local waste disposal agency for proper disposal measures. Do not expose the material to waterways or sewers.
- If the eyes are exposed, check for and remove contact lenses. Flush eyes with cool, clean, low-pressure water while occasionally lifting and lowering the eyelids. Seek medical attention if excessive tearing, redness or pain persists.
- If the skin is exposed, remove all contaminated clothing. Wipe off excess material and wash exposed skin with soap and water. Seek medical attention if skin appears damaged or if irritation persists. Thoroughly clean contaminated clothing before reuse. Discard contaminated leather goods.
- If ingested, do not induce vomiting or give anything to drink unless directed to by a physician. Never give anything by mouth to a person who is not fully conscious. Seek medical attention immediately.
- If inhaled, move the affected individual to fresh air. If the affected individual is not breathing, immediately begin rescue breathing. If breathing is difficult, 100% humidified oxygen should be administered by a qualified individual. Seek medical attention immediately and keep the affected individual warm and at rest.
- If ignited, use dry chemical, foam, carbon dioxide or water fog to extinguish.

**WARNING! Do not modify the handbrake lever or attempt to replace the hydraulic fluid. If damage occurs, follow the safety information in this section and contact your authorized dealer for handbrake replacement. The hydraulic handbrake should only be serviced or replaced by your authorized dealer.**



**WARNING! The handbrake contains hydraulic fluid that can cause mild skin, eye and nasal/bronchial irritation. Do not attempt to adjust or service the handbrake without proper protective equipment such as safety goggles and gloves and wash hands after handling.**

# II. YOUR VEHICLE

## TILLER CONSOLE

The tiller console houses all of the controls needed to drive your vehicle, including the LCD control panel, handbrake lever, tiller adjustment lever, and the throttle control lever. See figure 1.



**PROHIBITED! Do not expose the tiller console to moisture. In the event that the tiller console does become exposed to moisture, do not attempt to operate your vehicle until the tiller console has dried thoroughly.**

### IDENTIFICATION KEY

- |                                |                             |
|--------------------------------|-----------------------------|
| 1. HORN BUTTON                 | 8. MIRROR AND MIRROR PLUGS  |
| 2. SPEED ADJUSTMENT (INCREASE) | 9. HANDBRAKE LEVER          |
| 3. SPEED ADJUSTMENT (DECREASE) | 10. MODE BUTTON             |
| 4. TURN SIGNAL BUTTONS         | 11. HAZARD LIGHTS BUTTON    |
| 5. THROTTLE CONTROL LEVER      | 12. SET BUTTON              |
| 6. HI-LOW SWITCH               | 13. LCD SCREEN              |
| 7. LIGHTS BUTTON               | 14. TILLER ADJUSTMENT LEVER |
|                                | 15. BRAKE LOCK              |

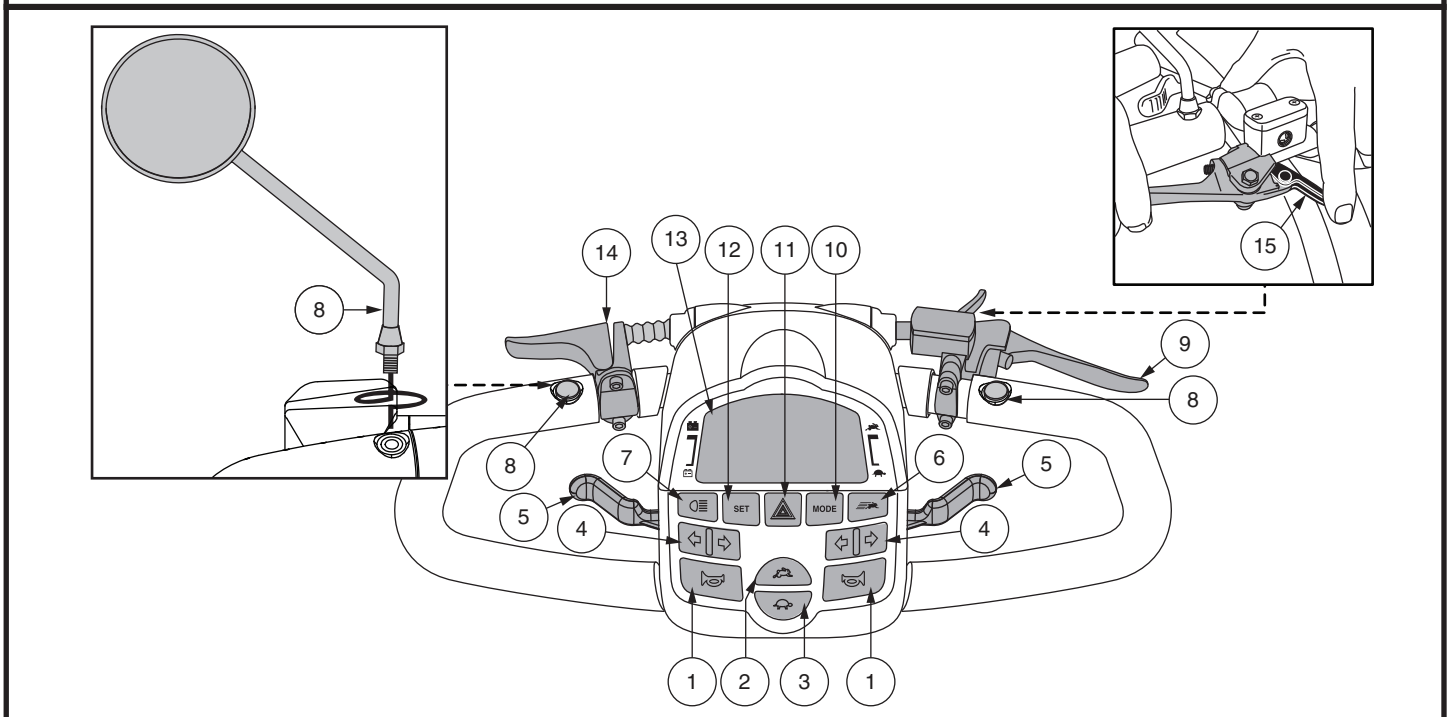


Figure 1. Tiller Console

### Horn Buttons

These buttons activate a warning horn. Your vehicle must be powered up for the horn to be operational. Do not hesitate to use the warning horn when doing so may prevent accident or injury.

### Speed Adjustment Buttons

These adjustment buttons enable you to pre-select and limit your vehicle's speed. This is indicated by the maximum speed indicator on the LCD screen.

- Press the image of the **tortoise** to decrease the speed of the vehicle.
- Press the image of the **rabbit** to increase the speed of the vehicle.

### Turn Signal Buttons

- Press the appropriate turn signal button once to activate it. The turn signal will flash on the LCD screen.
- Press the same signal button to turn it off.

## II. YOUR VEHICLE

### Throttle Control Lever

This lever allows you to control the forward speed and the reverse speed of your vehicle up to the maximum speed you preset with the speed adjustment. A throttle control lever is located on the underside of the left and right side of the tiller handle. See **figure 1**.

*To use throttle control lever:*

**To move Forward, use either of the following:**

- Use your left thumb to push the left side of the throttle control lever.
- Use your right hand fingers to pull back on the right side of the throttle control lever.

**To move Rearward, use either of the following:**

- Use your right thumb to push the right side of the throttle control lever.
- Use your left hand fingers to pull back on the left side of the throttle control lever.

Release the throttle control lever and allow your vehicle to come to a complete stop before engaging the other side of the lever. When the throttle control lever is completely released, it automatically returns to the center “stop” position and engages your vehicle’s brakes.

### High-Low Button

This button toggles the vehicle’s speed between HIGH and LOW.

- Press the **High-Low** button once to set the speed adjustment to high. The High-Low indicator will display on the LCD screen. See **figure 1**. Using this setting in conjunction with the speed adjustment buttons will allow the vehicle to achieve speeds up to the maximum preprogrammed speed for the vehicle.
- Press the **High-Low** button again to set the speed adjustment to Low. The High-Low indicator will not display on the LCD screen. Using this setting in conjunction with the speed adjustment buttons will allow the vehicle to achieve speeds up to the half the maximum preprogrammed speed for the vehicle.

### Lights Switch

This switch controls your vehicle’s lighting system.

- Press the lights button once to activate the lighting system. The light symbol will be shown on the LCD screen.
- Press the lights button again to turn the lighting system off.



**WARNING! Vehicle users are required to use their lights when visibility is restricted—day or night.**

### Hazard Lights Button

This button activates the 4-way yellow flashers on your vehicle.

- Press the button once to turn on the flashers.
- Press the button again to turn off the flashers.

**NOTE:** *The 4-way flashers will flash and a warning beep will sound as long as the hazard lights are on. See figure 6 for volume control.*

### Tiller Adjustment Lever

For information on positioning and adjusting your tiller, see V. “Comfort Adjustments.”

### Mirror Positioning and Adjustment

For information on positioning and adjusting your mirror, see V. “Comfort Adjustments.”



## II. YOUR VEHICLE

### LCD Screen and control panel settings

The LCD control panel offers easily intuited feedback information via the LCD screen. See **figure 1**. The LCD screen is also used during the set-up (activation) of the various control panel settings.

### Handbrake Lever

This lever provides you with emergency stopping power. When in motion, release the throttle control lever and gently squeeze the handbrake lever to come to a stop. Handbrake effectiveness can be modified by tightening or loosening the setscrew located on the handbrake lever. See **figure 2**.

The handbrake can be locked and used as a parking brake by squeezing the handbrake lever fully and moving the brake lock to the locked position. See **figure 2**. To release the brake lock, fully squeeze the handbrake.



**WARNING! The handbrake is intended for use as an emergency brake and/or parking brake only.**

### Mode Button

Use the mode button to scroll between the odometer, tripometer, temperature, and clock.

### Off-board Charger Port

The off-board charger power cord plugs into this port during battery charging. The off-board charger port is located on the tiller.

### Key Switch

- Insert the key into the key switch and turn it clockwise to power up (turn on) your vehicle.
- Turn the key counter clockwise to power down (turn off) your vehicle.



**WARNING! If the key is turned to the “off” position while your vehicle is in motion, the electronic brakes will engage and your vehicle will come to an abrupt stop!**

### Electrical System Fuses

Your vehicle is equipped with a series of electrical system fuses, which help protect the off-board charging system, key switch and lighting system from receiving an overload of electrical current. These fuses are the same type used in automobiles and are located in a compartment on the tiller.

**NOTE: Keep all electrical areas clean and free of moisture and foreign material.**

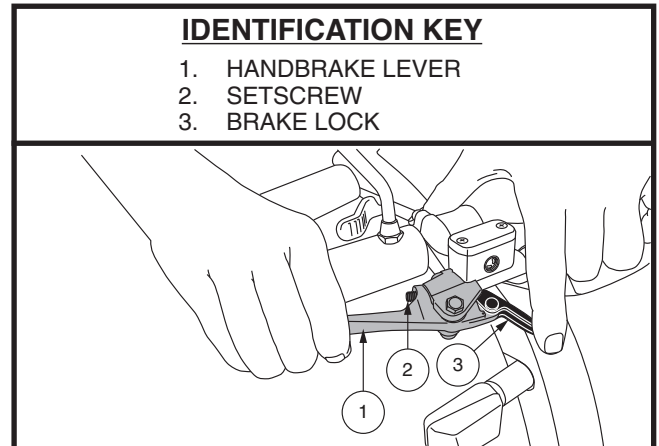


Figure 2. Handbrake Lever and Brake Lock (in the Locked Position)

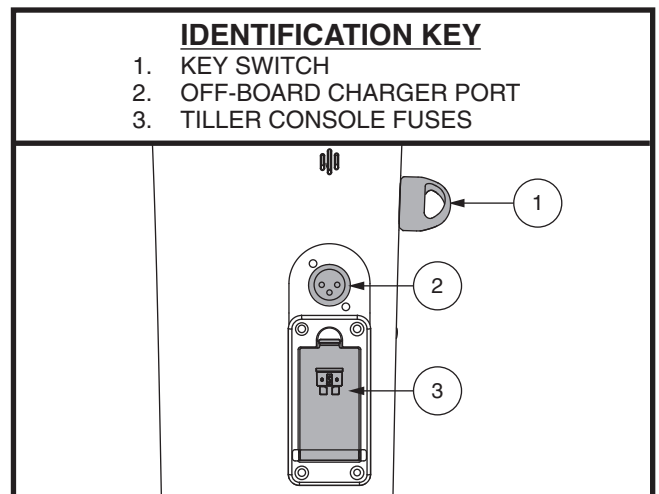


Figure 3. Lower Tiller Components

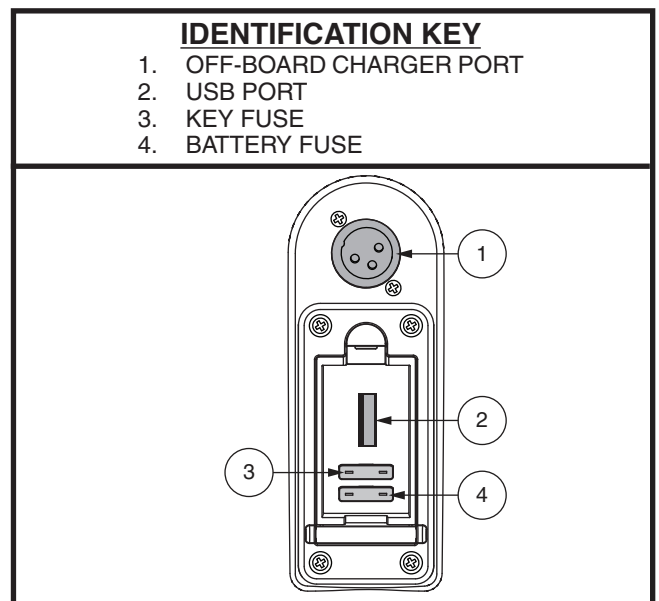


Figure 4. Off-board Charger Port/Tiller Console Fuses

## II. YOUR VEHICLE

### LCD SCREEN AND CONTROL PANEL SETTINGS

The LCD control panel offers easily intuited feedback information via the LCD screen. See figure 5. The LCD screen is also used during the set-up (activation) of the various control panel settings. See chart 1.

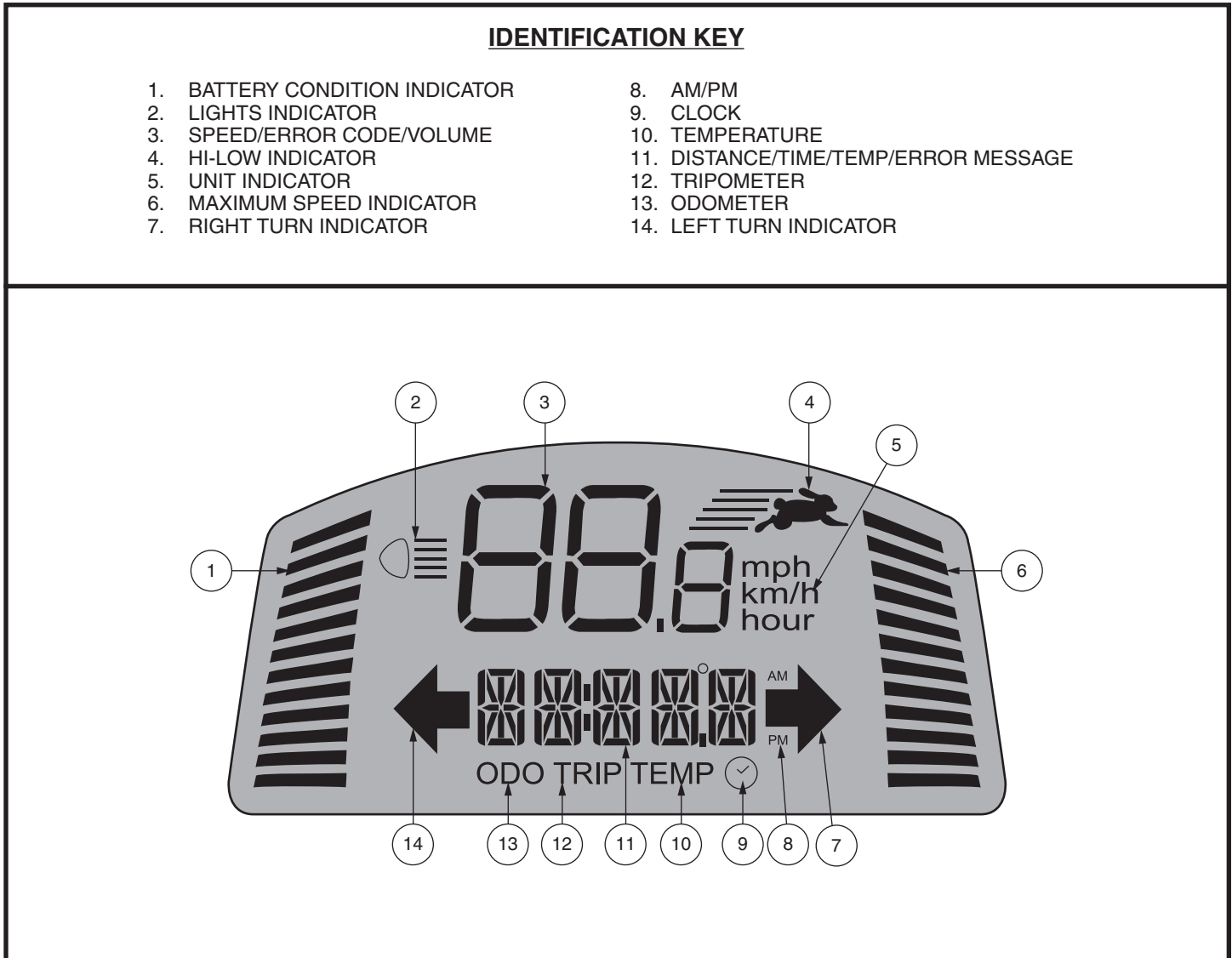



Figure 5. LCD Screen

**NOTE:** To program control panel settings, Hi-Low Indicator must be switched off, and Maximum Speed Indicator must be set to full. See figure 1.










## II. YOUR VEHICLE

### SETTING INFORMATION CHART

SETTING	CODE	INFORMATION
Odometer	<b>ODO</b>	Measures mph, km/h, and hours of use. Also displays total distance traveled over life of vehicle. (Cannot be reset.)
Tripometer	<b>TRIP</b>	Displays trip distance traveled. (Can be reset to “0”.)
Temperature	<b>TEMP</b>	Displays current temperature in °F or °C.
Clock		Displays time in 12-hour (AM/PM) or 24-hour.

**Chart 1. LCD Control Panel Information**

Press **MODE** until the setting you want to change appears on the LED screen. Then, press and hold **SET** and **MODE** until the setting blinks, then follow the steps corresponding to your setting in **chart 2**.

	<b>ODO</b>	<b>TRIP</b>	<b>TEMP</b>	
<b>Operation</b>	Press <b>Mode</b>	Press <b>MODE</b> for 2 seconds then release	Press <b>Mode</b>	Press <b>MODE</b> (hour digits flash)
<b>Selection</b>	Use <b>SET</b> to select option	Press and hold <b>SET</b> until option resets to 0.0	Use <b>SET</b> to choose °F or °C	Use <b>SET</b> to change hours. Alternate pressing <b>MODE</b> and <b>SET</b> to change minutes and AM/PM.
<b>Exit</b>	Press  or 	Press  or 	Press  or 	Press  or 

**Chart 2. LCD Control Panel Information**

### Battery Charging Mode

During battery charging, the console will display the clock and the battery condition indicator.

### Battery Condition Indicator

When the key is turned to the “on” position, this LED indicator gives an approximate reading of battery strength. When the vehicle’s battery voltage reaches a low enough level, a warning beep will sound once, indicating the batteries need charging. The warning beep will not sound again until the vehicle is restarted or the throttle control lever is pressed.

### Maximum Speed Indicator LED

The maximum speed indicator displays the maximum speed selected with the speed adjustment buttons. The more bars that are lit, the faster the speed. The maximum vehicle speed will be determined by the HIGH-LOW setting, which limits the maximum speed to half when set to LOW. The actual travel speed will be shown in the speed display on the LCD screen.

## II. YOUR VEHICLE

### Volume Control

The volume of the hazard lights, horn, low voltage, turn signals, and error message can be turned on or off separately. See figure 6.

#### To set the volume on or off:

1. Ensure the key is in the “off” position.
2. Press the appropriate two buttons simultaneously (see chart 3), and turn the key to the “on” position.
3. Once the volume control screen appears, release the buttons.
4. Press the rabbit button or the tortoise button to cycle through modes (0-3 indicates off and 4 indicates on).

**NOTE:** The horn may be turned on or off. In Set 2, volume control must be set at 4 for the horn to operate.

5. To exit, press any button except the rabbit or tortoise.

**NOTE:** The error message language option is set the same way as the volume.

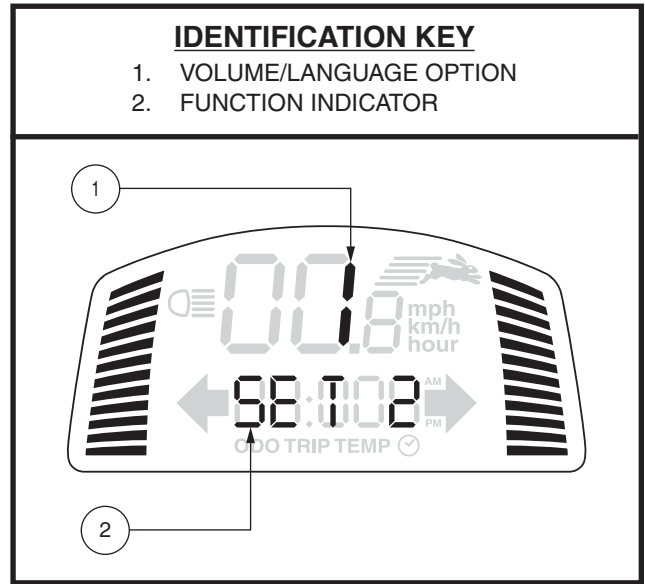


Figure 6. Volume Control Display

FUNCTION	BUTTONS	FUNCTION INDICATOR
Hazard Lights	SET + HAZARD LIGHTS	SET 1
Horn	SET + HORN	SET 2
Low Voltage	SET + LEFT TURN INDICATOR	SET 3
Turn Signals	SET + RIGHT TURN INDICATOR	SET 4
Error Message Language Option	SET + LIGHTS	SET 5 6 - Spanish 5 - Italian 4 - French 3 - German 2 - Dutch 1 - English 0 - Close

Chart 3. Volume Control Information

### REAR COMPONENTS

The manual freewheel lever, anti-tip wheels, motor/transaxle assembly, and optional safety flag brackets are located on your vehicle as shown. See figure 7. Although not shown, the batteries and main circuit breaker (reset button) are also located on the rear component section of your vehicle.



**WARNING!** Before placing your vehicle into or taking it out of freewheel mode, remove the key from the key switch. Never sit on a vehicle when it is in freewheel mode. Never put a vehicle in freewheel mode on any incline.

## II. YOUR VEHICLE

### Manual Freewheel Lever

Whenever you need or want to push your vehicle for short distances, you can put it in freewheel mode.

1. Remove the key from the key switch.
2. Push forward on the manual freewheel lever to disable the drive system and the brake system. This will enable you to push the vehicle.

**NOTE:** *If your vehicle is equipped with a 2-position manual freewheel lever, you must pull up on the lever and then push forward on the manual freewheel lever to disable the drive system and the brake system. This will enable you to push the vehicle.*

3. Pull back on the manual freewheel lever to reengage the drive and the brake systems and take your vehicle out of freewheel mode.

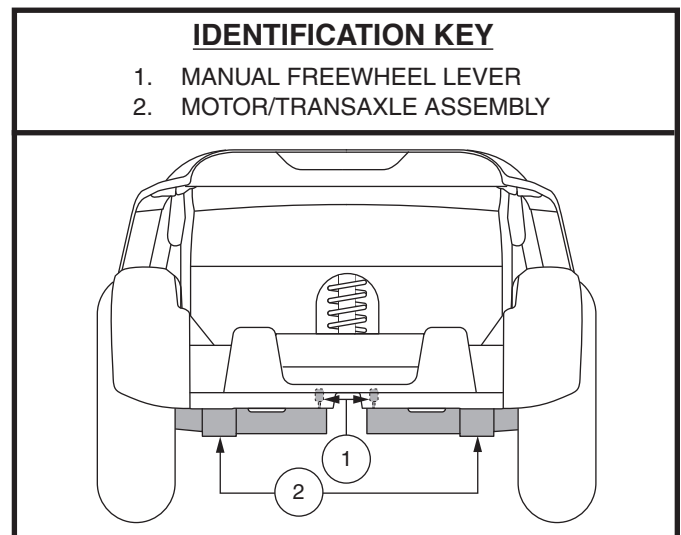


Figure 7. Rear Components

**WARNING!** When your vehicle is in freewheel mode, the braking system is disengaged.



- Disengage the drive motors only on a level surface.
- Ensure the key is removed from the key switch.
- Stand to the side of the vehicle to engage or disengage freewheel mode. Never sit on a vehicle to do this.
- After you have finished pushing your vehicle, always return it to the drive mode to lock the brakes.

**NOTE:** *If the vehicle is placed in freewheel mode (manual freewheel lever forward) while the key is in the “on” position, the vehicle will not run until the manual freewheel lever is pushed rearward and the key is turned to the “off” position, then back to the “on” position.*

### Motor/Transaxle Assembly

The motor/transaxle assembly is an electromechanical unit that converts electrical energy from your vehicle’s batteries into the controlled mechanical energy that drives the vehicle’s wheels.

### Batteries

The batteries store electrical energy that powers your vehicle. See III. “Batteries and Charging ” for information on how to charge your vehicle batteries.

### Back-Up Sensor

Your vehicle is equipped with an automatic backup sensor and reverse light to alert you of objects that may be behind you. When the vehicle is driven in the reverse direction and a solid obstacle such as a wall is detected, an audible tone is emitted alerting you to the presence of a detected object. This feature can be turned off using the switch located on the backup sensor module on the rear of your vehicle.



- WARNING!** The back up sensor should not take the place of looking behind you prior to and while driving in a reverse direction. The sensors may not detect objects that are moving, or ones with poor reflective properties such as persons, pets or shrubbery.
- To ensure reliable operation, keep the sensor free of dirt, mud, and water.
  - If exposed to water, allow sensor to dry before using.
  - If sensor screens become covered with dust, debris, or water, wipe with a dry cloth prior to use.

## II. YOUR VEHICLE

### Main Circuit Breaker (Reset Button)

When the voltage in the batteries becomes low or your vehicle is heavily strained because of excessive loads, the main circuit breaker may trip to protect the motor and electronics from damage. When the breaker trips, the entire electrical system shuts down. See figure 8.

- The reset button pops out when the breaker trips.
- Allow a minute or so for the electronics to “rest.”
- Push in the reset button to reset the breaker.
- If the breaker trips frequently, you may need to charge the batteries more often or have your authorized dealer perform a load test on the batteries.
- If the main circuit breaker trips repeatedly, see your authorized dealer for service.

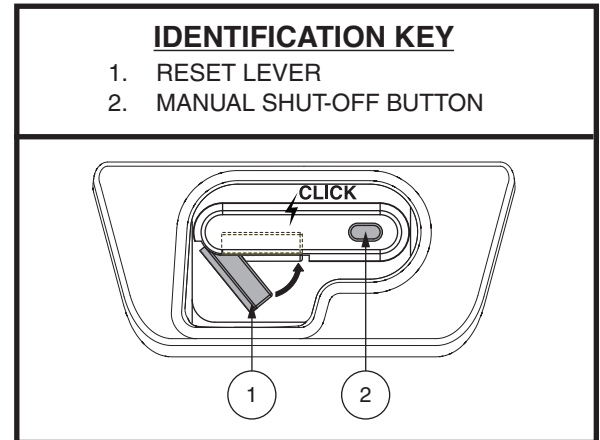


Figure 8. Main Circuit Breaker (Reset Button)

**NOTICE:** If you are preparing the vehicle for transport or service, or if there is a situation that requires you to manually shut down the electrical system, press the manual shut-off button on the circuit breaker. This will cut all power to the vehicle.

### SECURING THE VEHICLE

Always secure the vehicle in a forward-facing position in the motor vehicle. Attach the four tie-down straps to the designated securement points. See figures 9. Tighten the straps to sufficiently remove all slack. Never attach tie-downs to adjustable, moving or removable parts of the vehicle such as armrests, shrouds and wheels. These items should be removed. Position the anchor points for the rear tie-down straps directly behind the rear securement points on the vehicle. The front tie-down straps should anchor to floor points that are spaced wider than the vehicle to provide increased lateral stability.



**WARNING!** Ensure vehicles are properly secured to the motor vehicle during transport. Vehicles that are not properly secured can become a hazard to the user and to other motor vehicle passengers in the event of a crash, sudden stopping, or swerving, as the vehicle could tip or slide out of place. Do not secure a vehicle by any of its removable parts such as armrests, seat, basket, accessory brackets, etc.

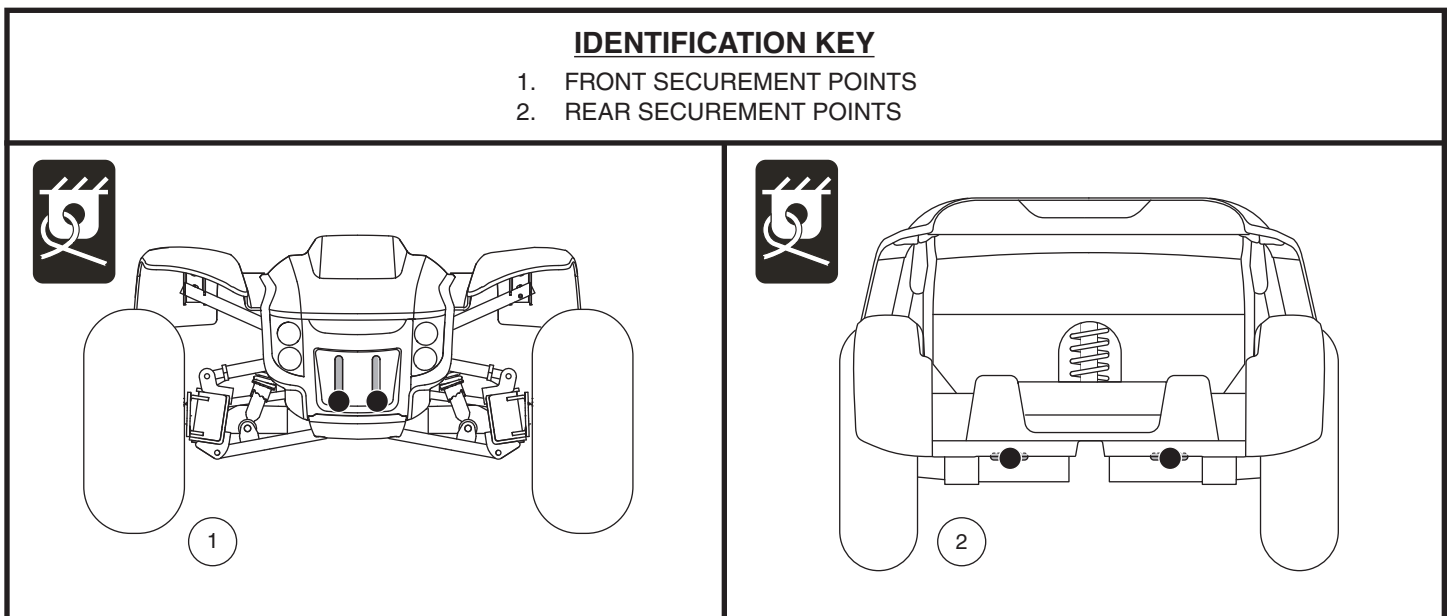


Figure 9. Securement Points (Identified with black dots)

# III. BATTERIES AND CHARGING

## BATTERIES AND CHARGING

Your vehicle requires two long-lasting, 12-volt, deep-cycle batteries that are sealed and maintenance-free. They are recharged by an off-board charging system.

- Charge your vehicle's batteries for at least 8 to 14 hours prior to using it for the first time.
- Keep the batteries fully charged to keep your vehicle running smoothly.

## READING YOUR BATTERY VOLTAGE

The battery condition LED on the tiller console indicates the approximate strength of your batteries. To ensure the highest accuracy, the battery condition LED should be checked while operating your vehicle at full speed on a dry, level surface. See figure 10.

## CHARGING YOUR BATTERIES



**PROHIBITED!** Removal of grounding prong can create electrical hazard. If necessary, properly install an approved 3-pronged adapter to an electrical outlet having 2-pronged plug access.



**PROHIBITED!** Never use an extension cord to plug in your battery charger. Plug the charger directly into a properly wired standard electrical outlet.



**PROHIBITED!** Do not allow unsupervised children to play near the vehicle while the batteries are charging. We recommend that you do not charge the batteries while the vehicle is occupied.



**MANDATORY!** Read the battery charging instructions in this manual and in the manual supplied with the battery charger before charging the batteries.



**WARNING!** Explosive gases may be generated while charging the batteries. Keep the vehicle and battery charger away from sources of ignition such as flames or sparks and provide adequate ventilation when charging the batteries.

**WARNING!** You must recharge your vehicle's batteries with the supplied off-board charger. Do not use an automotive-type battery charger.

**WARNING!** Inspect the battery charger, wiring and connectors for damage before each use. Contact your authorized dealer if damage is found.



**WARNING!** Do not attempt to open the battery charger case. If the battery charger does not appear to be working correctly, contact your authorized dealer.

**WARNING!** If the battery charger is equipped with cooling slots, then do not attempt to insert objects through these slots.

**WARNING!** Be aware that the battery charger case may become hot during charging. Avoid skin contact and do not place on surfaces that may be affected by heat.



**WARNING!** If your battery charger has not been tested and approved for outdoor use, then do not expose it to adverse or extreme weather conditions. If the battery charger is exposed to adverse or extreme weather conditions, then it must be allowed to adjust to the difference in environmental conditions before use indoors. Refer to the manual supplied with the battery charger for more information.

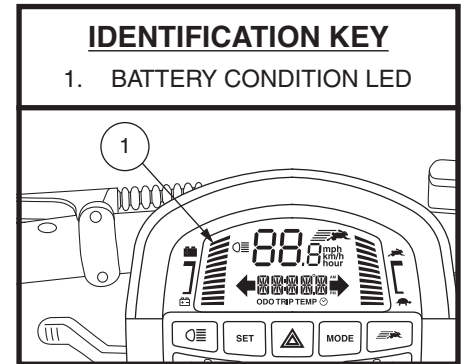


Figure 10. Battery Condition Meter



# III. BATTERIES AND CHARGING

Follow the 6 easy steps in figure 11 to charge your batteries safely:

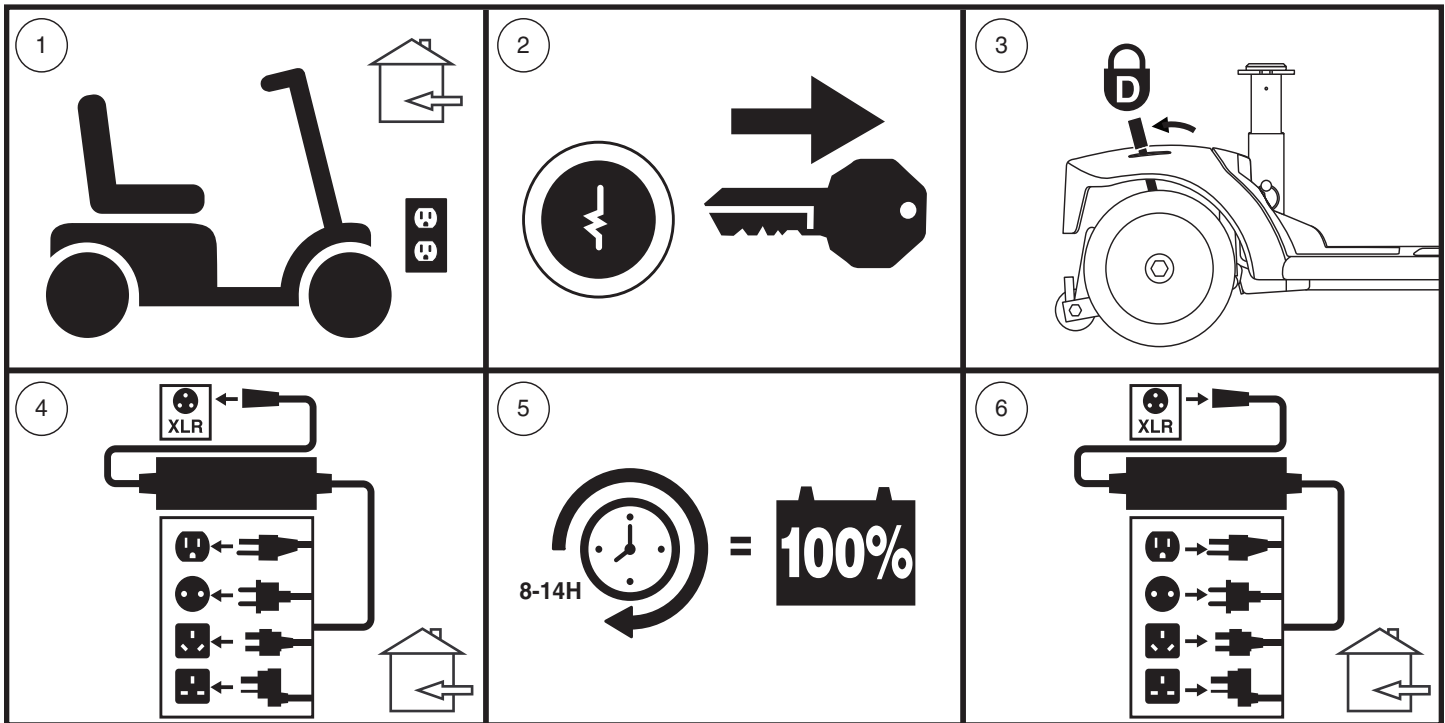


Figure 11. Battery Charging Procedures Diagram



**WARNING! The LED lights on the charger indicate different charger conditions at various times. If the LED does not indicate that charging is complete within 24 hours, unplug the charger from the outlet and contact your dealer. Refer to the operating instructions supplied with the charger for a complete explanation of these indicators.**

**NOTE:** There is a charger inhibit function on your vehicle. The vehicle will not run and the battery condition meter will not operate while the batteries are charging.

## FREQUENTLY ASKED QUESTIONS

### How does the charger work?

When your vehicle's battery voltage is low, the charger works harder, sending more electrical current to the batteries to bring up their charge. As the batteries approach a full charge, the charger sends less and less electrical current. When the batteries are fully charged, the current sent from the charger is at nearly zero amperage. Therefore, when the charger is plugged in, it maintains the charge on your vehicle's batteries, but does not overcharge them. Refer to the manual supplied with the battery charger for charging instructions.

### Can I use a different charger?

Chargers are selected precisely for particular applications and are especially matched to the type, size and chemical formulation of specific batteries. For the safest and most efficient charging of your vehicle's batteries, we recommend only use of the charger supplied as original equipment with your product. Any charging method resulting in batteries being charged individually is especially prohibited.

### What if my vehicle's batteries won't charge?

- Ensure the red (+) and black (-) battery cables are connected properly to the battery terminals.
- Ensure both battery harnesses that extend from the batteries are plugged into their mating harness leading to the charger.
- Ensure both ends of the charger power lead are inserted fully.



# III. BATTERIES AND CHARGING

## How often must I charge the batteries?

Two major factors must be considered when deciding how often to charge your vehicle's batteries:

- All-day vehicle use on a daily basis.
- Infrequent or sporadic vehicle use.

With these considerations in mind, you can determine how often and for how long you should charge your vehicle's batteries. The battery charger was designed so that it will not overcharge your vehicle's batteries. However, you may encounter some problems if you do not charge your batteries often enough and if you do not charge them on a regular basis. Following the guidelines below will provide safe and reliable battery operation and charging.

- If you use your vehicle daily, charge its batteries as soon as you finish using it for the day. Your vehicle will be ready each morning. We recommend that you charge your vehicle's batteries for at least 8 to 14 hours after daily use. We recommend that you charge the batteries for an additional 4 hours after the battery charger indicates that charging is complete.
- If you use your vehicle once a week or less, charge its batteries at least once a week for at least 24 hours.

**NOTE:** *Keep your batteries fully charged and avoid deeply discharging your batteries. Refer to the manual supplied with the battery charger for charging instructions. We recommend charging your batteries for at least 48 continuous hours once per month to improve battery performance and battery life.*

## How can I get maximum range or distance per charge?

Fully charged deep-cycle batteries provide reliable performance and extended battery life. Keep your vehicle's batteries fully charged whenever possible. Protect your vehicle and batteries from extreme heat or cold. Batteries that are regularly and deeply discharged, infrequently charged, stored in extreme temperatures or stored without a full charge may be permanently damaged, causing unreliable performance and limited service life.

- Always fully charge your vehicle's batteries prior to daily use.
- Maintain but do not exceed the psi/bar/kPa air pressure rating indicated on each tire.
- Plan your route ahead to avoid as many hills, cracked, broken or soft surfaces as possible.
- Limit your baggage weight to essential items.
- Try to maintain an even speed while your vehicle is in motion.
- Avoid stop-and-go driving.
- We recommend charging your batteries for at least 48 continuous hours once per month to improve battery performance and battery life.
- Make sure all harness connections are secured properly.

## How can I ensure maximum battery life?

Fully charged deep-cycle batteries provide reliable performance and extended battery life. Keep your vehicle's batteries fully charged whenever possible. Protect your vehicle and batteries from extreme heat or cold. Batteries that are regularly and deeply discharged, infrequently charged, stored in extreme temperatures or stored without a full charge may be permanently damaged, causing unreliable performance and limited service life.

**NOTE:** *To extend battery life, always turn off vehicle and remove the key when not in use.*

## What type and size of battery should I use?

We recommend deep-cycle batteries that are sealed and maintenance-free. Both AGM and Gel-Cell are deep-cycle batteries that are similar in performance. Do not use wet-cell batteries, which have removable caps. Refer to the specifications table for size as batteries differ depending on manufacturer.



**WARNING!** Corrosive chemicals are contained in batteries. Use only AGM or Gel-Cell batteries to reduce the risk of leakage or explosive conditions.

**NOTE:** *Sealed batteries are not serviceable. Do not remove the caps.*

# III. BATTERIES AND CHARGING

## Why do my new batteries seem weak?

Deep-cycle batteries employ a different chemical technology than that used in car batteries, nickel-cadmium batteries (nicads) and other common battery types. Deep-cycle batteries are specifically designed to provide power, drain down their charge and then accept a relatively quick recharge.

We work closely with our battery manufacturer to provide batteries that best suit your vehicle's specific electrical demands. Fresh batteries are shipped fully charged to our customers. During shipping, the batteries may encounter temperature extremes that can influence their initial performance. Heat diminishes the charge on the battery; cold slows the available power and extends the time needed to recharge the battery.

It may take a few days for the temperature of your vehicle's batteries to stabilize and adjust to their new room or ambient temperature. More importantly, it takes a few charging cycles (partial draining followed by full recharging) to establish the critical chemical balance that is essential to a deep-cycle battery's peak performance and long life.

## Follow these steps to properly break in your vehicle's new batteries for maximum efficiency and service life:

1. Fully recharge any new battery prior to its initial use. This charging cycle brings the battery up to about 88% of its peak performance level.
2. Operate your new vehicle in familiar and safe areas. Drive slowly at first and do not travel too far from your home or familiar surroundings until you have become accustomed to your vehicle's controls and have properly broken in your vehicle's batteries.
3. Fully recharge the batteries. They should be at over 90% of their peak performance level.
4. Operate your vehicle again, and fully recharge the batteries again.
5. After four or five charging cycles, the batteries are able to receive a charge of 100% of their peak performance level and are able to last for an extended period of time.

## What about public transportation?

AGM and Gel-Cell batteries are designed for application in vehicles and other mobility vehicles. These batteries are Federal Aviation Administration (FAA) approved (United States only), allowing safe transportation on aircraft, buses, and trains, as there is no danger of spillage or leakage. We suggest you contact the carrier's ticket counter in advance to determine that carrier's specific requirements.

## How do I change a battery in my vehicle?



**MANDATORY!** Battery posts, terminals and related accessories contain lead and lead compounds. Wear goggles and gloves when handling batteries and wash hands after handling.



**PROHIBITED!** Always use two batteries of the exact same type, chemistry and amp-hour (Ah) capacity. Refer to the specifications table with this manual and in the manual supplied with the battery charger for recommended type and capacities.

**WARNING!** Do not mix old and new batteries. Always replace both batteries at the same time.



**WARNING!** Contact your authorized dealer if you have any questions regarding the batteries in your vehicle.

**WARNING!** Do not replace the batteries while the vehicle is occupied.

**WARNING!** The batteries on your vehicle should only be serviced or replaced by an authorized dealer or a qualified technician.



**PROHIBITED!** Keep tools and other metal objects away from battery terminals. Contact with tools can cause electrical shock.

# III. BATTERIES AND CHARGING

You may need the following to change your batteries:

- Metric/standard socket set and ratchet
- Adjustable wrench



**WARNING! Do not lift beyond your physical capability. Ask for assistance when necessary while disassembling or assembling your vehicle.**

**WARNING! Do not pull on electrical harness wires directly to detach them from the vehicle. Always grasp the connector itself when disconnecting the harness to prevent wire damage.**

To change batteries in your vehicle:

1. Remove the seat by lifting it straight up and off of the vehicle. If you encounter resistance when removing the seat, disengage the seat rotation lever and swivel the seat back and forth while lifting up on the seat.
2. Remove the rear shroud by lifting it straight up and off the vehicle. The shroud is secured to the vehicle with reusable fasteners and two (2) thumbscrews. **See figure 12.**
3. Remove the battery shroud by removing the four (4) thumbscrews that secure it to the vehicle frame, and then lifting the shroud straight up and off of the vehicle. **See figure 12.**
4. Disconnect the battery tie-down straps.
5. Disconnect the battery cables from the battery terminals by sliding back the terminal boots and unscrewing the nut from the bolt. **See figure 14.**
6. Remove the old batteries from the battery wells.
7. Place a new battery in each battery well. Face the battery terminals of each battery away from the seat post. **See figure 15.**

**NOTE: Use battery straps to secure batteries in the battery wells. Please refer to figures 13 and 16 for battery strap installation procedures.**

8. Connect the red battery cable to the positive (+) battery terminal on each battery.
9. Connect the black battery cable to the negative (-) battery terminal on each battery.
10. Reposition the terminal boots over the battery terminals.
11. Reconnect the battery tie-down straps.
12. Reinstall the battery shroud, the rear shroud and the seat.

**NOTE: If you encounter a damaged or cracked battery, immediately enclose it in a plastic bag. Contact your local waste disposal agency or your authorized dealer for instructions on disposal and battery recycling, which is our recommended course of action.**

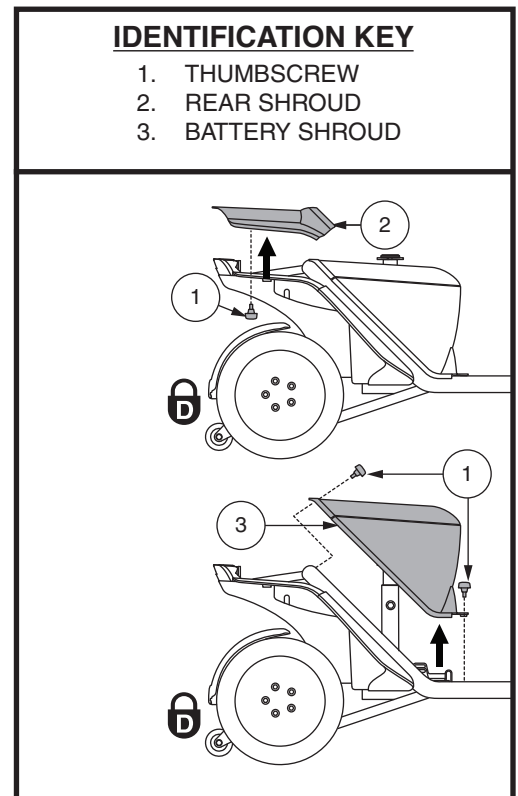


Figure 12. Battery Shroud Removal/Installation

# III. BATTERIES AND CHARGING

## IDENTIFICATION KEY

1. MAIN CIRCUIT BREAKER
2. BATTERY TERMINALS UNDER BOOTS
3. BATTERY TIE-DOWN STRAP

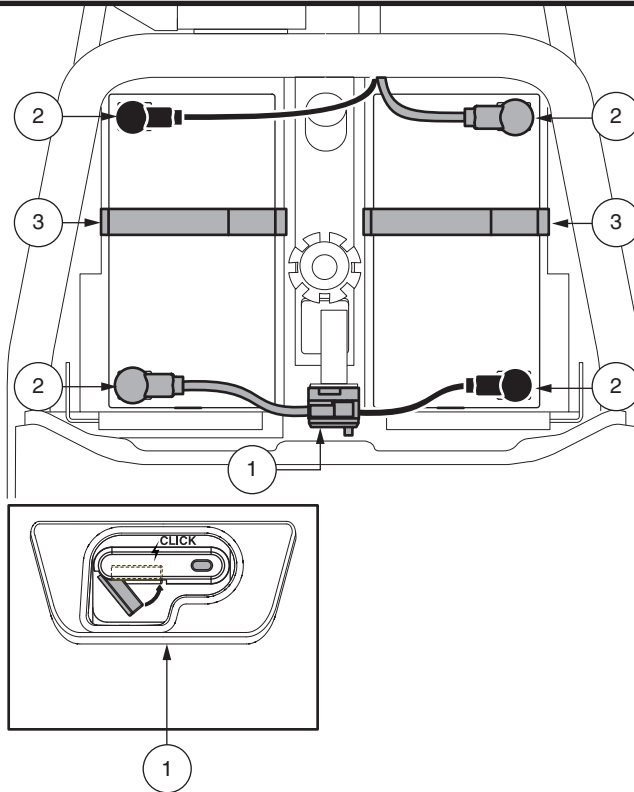


Figure 13. Battery Removal/Installation Terminals and Connections

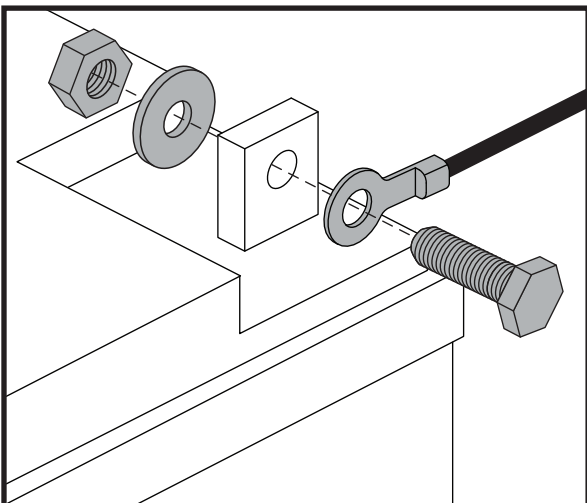


Figure 14. Battery Terminal Hardware

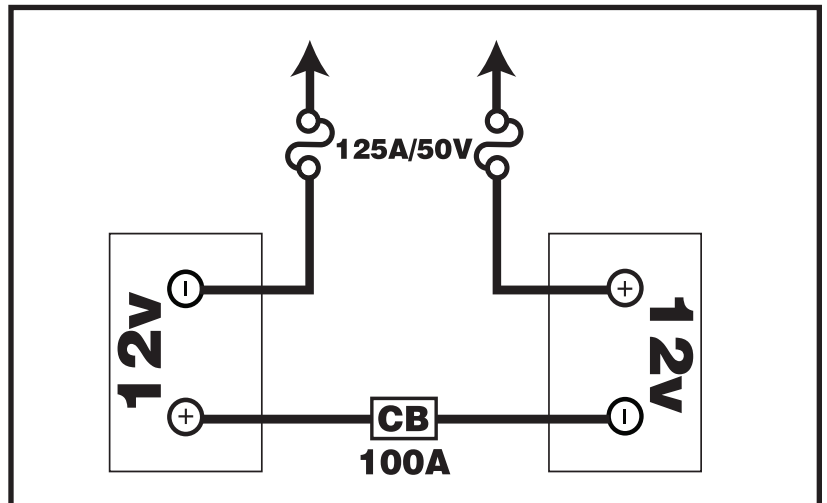


Figure 15. Battery Wiring Diagram

# III. BATTERIES AND CHARGING

## Battery Securement and Strap Routing

1. Secure the batteries in the battery wells by routing the provided battery straps through the battery well slots as shown.
2. Ensure the short strap runs over the top of the long strap.

**NOTE:** Before securing the straps, ensure the D-ring is positioned as shown here. The D-ring should be positioned within 1 inch (2.54 cm) of, but never touch, the battery well.

3. Any excess strapping should be placed facing the back, or next to the seat post, of the vehicle.



**WARNING!** The battery straps should never be positioned under the battery

### IDENTIFICATION KEY

1. REUSABLE FASTENER
2. BATTERY TERMINAL
3. SHORT STRAP
4. D-RING

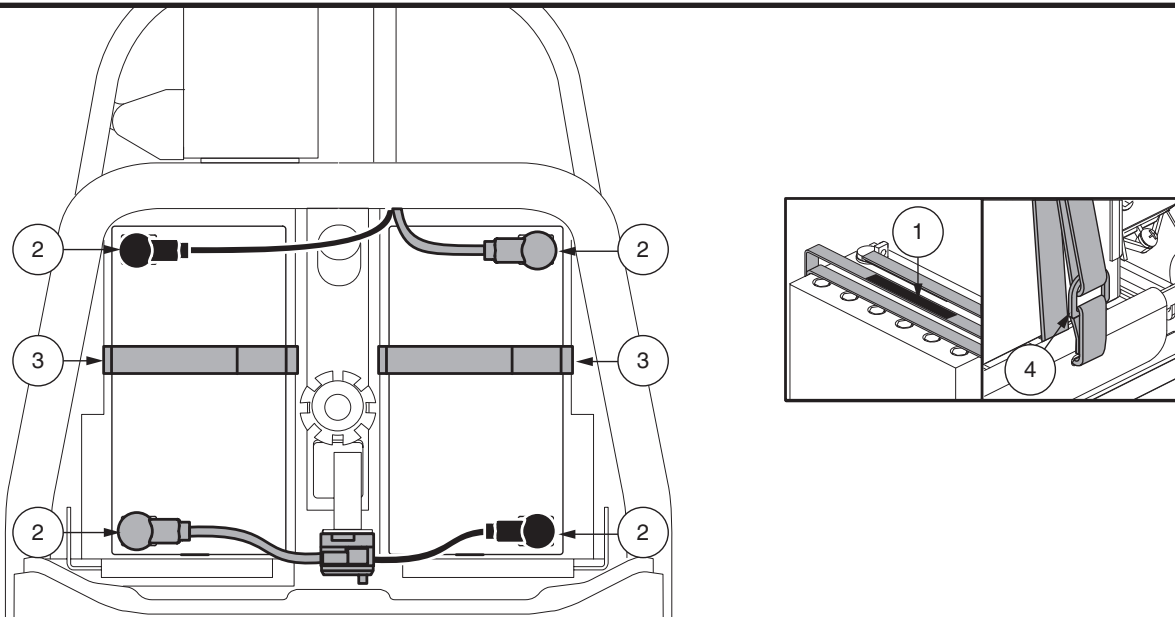


Figure 16. Battery Strap Diagram

# IV. OPERATION

## BEFORE GETTING ONTO YOUR VEHICLE

- Have you fully charged the batteries? See III. “Batteries and Charging.”
- Is the manual freewheel lever in the drive (rearward) position? Never leave the manual freewheel lever pushed forward unless you are manually pushing your vehicle.



**WARNING! We recommend that a DOT-approved safety helmet be worn at all times when operating your PMV. As with any type of vehicle, it is the responsibility of the user to contribute to his/her own safety by adhering to applicable federal, state, and local laws, as well as laws set forth specifically for operation of PMVs. Failure to do so may result in personal injury.**

## GETTING ONTO YOUR VEHICLE

1. Make certain that the key is removed from the key switch.



**WARNING! Never attempt to get onto or off of your vehicle without first removing the key from the key switch. This will prevent the vehicle from moving if accidental throttle control lever contact is made.**

2. Stand at the side of your vehicle.
3. Disengage the seat rotation lever and rotate the seat until it is facing you.
4. Make certain that the seat is secured into position.
5. Position yourself comfortably and securely in the seat.
6. Disengage the seat rotation lever and rotate the seat until you are facing forward.
7. Make certain that the seat is fixed securely in position.
8. Make certain that your feet are safely on the floorboard.

## PRE-RIDE ADJUSTMENTS AND CHECKS

- Is the seat at the proper height? See V. “Comfort Adjustments.”
- Is the seat secured into place?
- Is the tiller at a comfortable setting and secured into place? See V. “Comfort Adjustments.”
- Is the key fully inserted into the key switch and turned clockwise to the “on” position?
- Does the horn work properly?
- Is your proposed path clear of people, pets, and obstacles?
- Have you planned your route to avoid adverse terrain and as many inclines as possible?

## OPERATING YOUR VEHICLE

**WARNING! The following can adversely affect steering and stability while operating your vehicle, resulting in loss of control, tipping, and/or personal injury:**

- Holding onto or attaching a leash to walk your pet.
- Carrying passengers (including pets).
- Hanging any article from the tiller.
- Towing or being pushed by another motorized vehicle.



**WARNING! Tipping Risk! Avoid abrupt maneuvers at excessive speed. It is recommended that you set the speed adjustment dial to the lowest setting until you become familiar with vehicle controls and operation.**

**WARNING! Vehicle braking distances are greater on an incline than on the horizontal.**

**WARNING! Keep both hands on the tiller and your feet on the floorboard at all times while operating your vehicle. This driving position gives you the most control over your vehicle.**

- Set the speed adjustment dial to your desired speed.
- Press your thumb against the appropriate side of the throttle control lever.
- The electromechanical disc park brake automatically disengages and the vehicle accelerates smoothly to the speed you preselected with the speed adjustment dial.
- Pull on the left handgrip to steer your vehicle to the left.

## IV. OPERATION

- Pull on the right handgrip to steer your vehicle to the right.
- Move the tiller to the center position to drive straight ahead.
- To stop, slowly release the throttle control lever. The electronic brakes will automatically engage, bringing your vehicle to a stop.

*NOTE: Your vehicle's reverse speed is slower than that of the forward speed you preset with the speed adjustment dial.*

### GETTING OFF OF YOUR VEHICLE

1. Bring your vehicle to a complete stop.
2. Remove the key from the key switch.



**WARNING! Never attempt to get onto or off of your vehicle without first removing the key from the key switch. This will prevent the vehicle from moving if accidental throttle control lever contact is made.**

3. Disengage the seat rotation lever and rotate the seat until you are facing toward the side of your vehicle.
4. Make certain that the seat is fixed securely in position.
5. Carefully and safely get out of the seat and stand to the side of your vehicle.
6. You can leave the seat facing to the side to facilitate boarding your vehicle next time.

### POWER DOWN TIMER FEATURE

Your vehicle is equipped with an energy saving automatic power down timer feature designed to preserve your vehicle's battery life. If you mistakenly leave the key in the key switch and in the "on" position but do not use your vehicle for approximately 20 minutes, the vehicle's controller shuts down automatically. Although the controller is shut down, power will still be supplied to the vehicle's lighting system.

**If the power down timer feature takes effect, perform the following steps to resume normal operation:**

1. Remove the key from the key switch.
2. Reinsert the key and power up your vehicle.



# V. COMFORT ADJUSTMENTS

## TILLER ANGLE ADJUSTMENT

**WARNING!** Remove the key from the key switch before adjusting the tiller or the seat. Never attempt to adjust the tiller or the seat while the vehicle is in motion.



**WARNING!** Prior to operating the vehicle, push and pull on the tiller to ensure that the angle adjustment mechanism is secure. Inspect the tiller adjustment knob and the angle adjustment mechanism to ensure that they are fully engaged. If there is movement in the tiller, check to make sure that the tiller adjustment knob is fully tightened.

Your vehicle is equipped with an adjustable pivoting tiller.

1. Squeeze the tiller adjustment lever. See figure 17.
2. Move the tiller to a comfortable position.
3. Release the tiller adjustment lever.

*NOTE: In order to fully lower the tiller for purposes of disassembly or transport, you must first completely remove the seat. See VI. "Disassembly and Assembly."*

*NOTE: Pivot the armrests upward to aid in getting onto and off of your vehicle.*

## MIRROR POSITION

To install the mirror (see figure 18):

1. Determine on which side to install the mirror and remove the rubber plug from the top of the tiller handle.
2. Insert the threaded end of the mirror holder into the opening and rotate it clockwise until snug.
3. If necessary, rotate the nut clockwise to secure the mirror in place.

To adjust the mirror:

1. Position yourself in a seated driving position facing forward.
2. Adjust the mirror left, right, up or down until you have a good line of sight behind you.

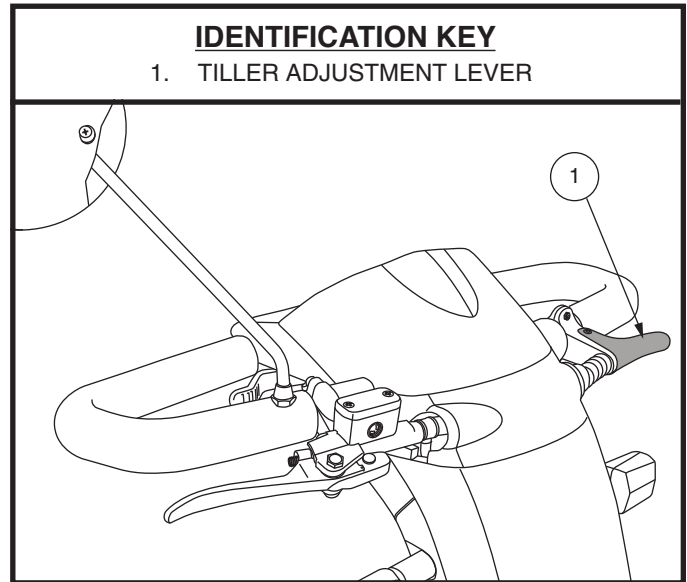


Figure 17. Tiller Adjustment Lever

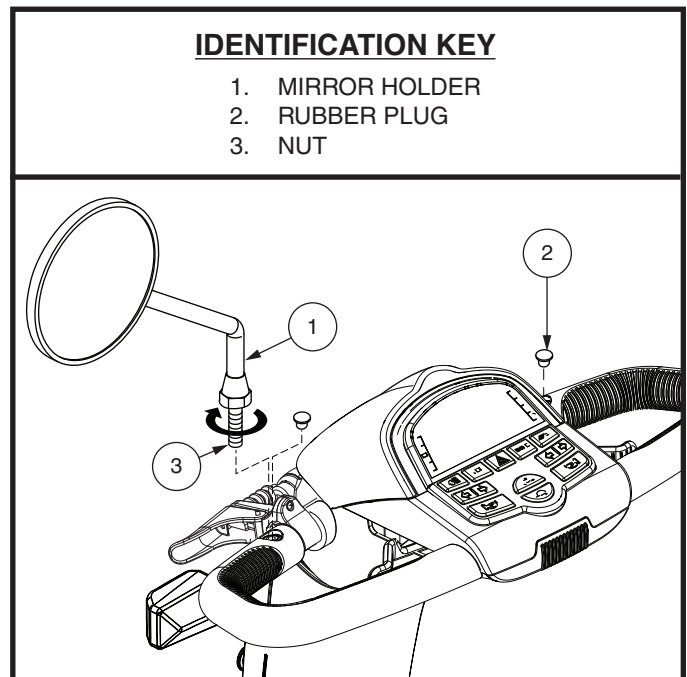


Figure 18. Mirror Installation and Positioning



# V. COMFORT ADJUSTMENTS

## SEATBACK ADJUSTMENT



**WARNING! Do not operate your vehicle with the seatback in a reclined position.**

**WARNING! Always keep your back pressed firmly against the seatback while adjusting the angle.**

If your vehicle is equipped with a reclining seatback, you can adjust the seatback angle with the seatback adjustment lever. See **figure 19**.

1. With your back pressed up against the seatback, lift up on the seatback adjustment lever and lean forward or rearward to adjust the seatback angle.
2. Release the seatback adjustment lever once the seat is in a comfortable riding position.

## SEAT ROTATION ADJUSTMENT

The seat rotation lever will secure the seat into several positions.

1. Depending on your seat type, either pull upward or push forward on the seat rotation lever to disengage the seat. See **figure 19**.
2. Rotate the seat to the desired position.
3. Release the lever to secure the seat into place.

## FRONT-TO-BACK SEAT ADJUSTMENT

You can reposition the seat forward or rearward to adjust the distance between the seat and the tiller.

1. Move the seat sliding lever located at the lower left side of the seat outward. See **figure 19**.
2. While holding the lever out, slide the seat forward or rearward.
3. Release the seat sliding lever once the seat is in the desired position.

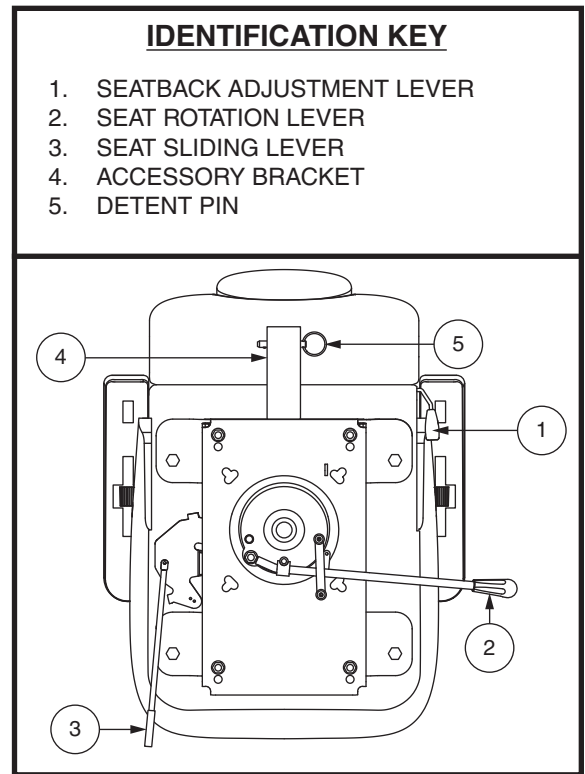
## ARMREST ANGLE ADJUSTMENT

There is an armrest adjustment located on the underside of each armrest. See **figure 19**. Turn the armrest adjustment to the left to lower the armrest angle or to the right to raise the armrest angle.

**NOTE:** *The armrests also pivot upward to make getting on and off of your vehicle easier.*

## ACCESSORY BRACKET

The rear-mounted accessory bracket allows you to attach a personal accessory such as a basket, walker holder, or oxygen tank to the back of your vehicle. Use the detent pin to securely mount your item to the accessory bracket. See **figure 19**. See your authorized dealer for details.



**Figure 19. Seat Adjustments**

# V. COMFORT ADJUSTMENTS

## SEAT HEIGHT ADJUSTMENT

The seat can be repositioned to several different heights. See **figure 20**.

1. Remove the seat and/or shroud from your vehicle.
2. Remove the seat height adjustment bolt.
3. Raise or lower the upper seat post to the desired seat height.
4. While holding the upper seat post at that height, match up the locating holes in the upper seat post with those of the lower seat post.
5. Insert the seat height adjustment bolt through the locating holes of both the upper and lower seat posts.
6. Reinstall the nut onto the seat height adjustment bolt and tighten.
7. Reinstall the rear shroud and the seat.

## POSITIONING BELT (OPTIONAL)

Your vehicle seat may be equipped with an auto-type positioning belt that can be adjusted for operator comfort. The positioning belt is designed to help support the operator so that he or she does not slide down or forward in the seat. The positioning belt is not designed for use as a restraining device.

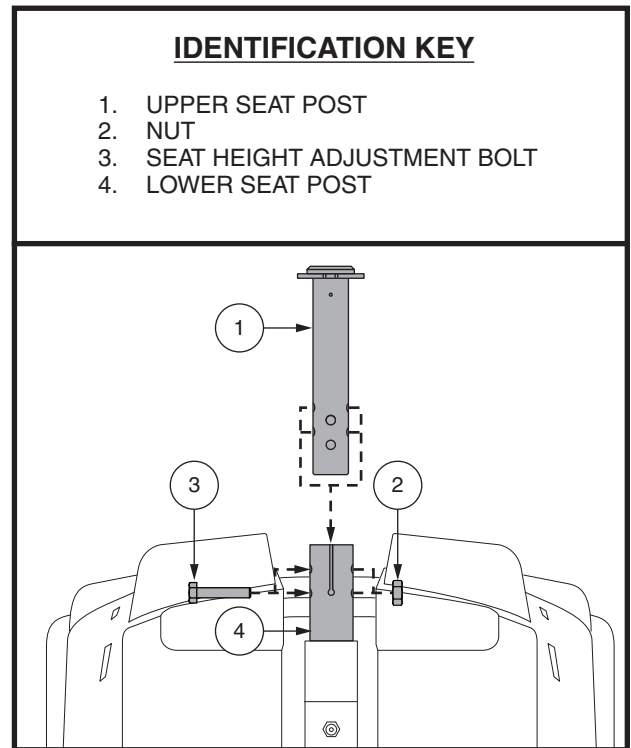


**WARNING! The positioning belt is not designed for use as a seat belt in a motor vehicle. Nor is your vehicle suitable for use as a seat in any vehicle. Anyone traveling in a vehicle should be properly belted into seats approved by the vehicle manufacturer.**

**WARNING! The positioning belt should be secured at all times. Never allow the positioning belt to hang or drag on the floor as it may become entangled.**

## To install the positioning belt (if required):

1. Remove the seat from your vehicle.
2. Place the seat upside down so that you can see the bottom of the seat base. See **figure 21**.
3. Use a wrench to remove the two rear bolts that attach the seat frame to the seat base.
4. Insert the bolt through the appropriate ends of the positioning belt and then reinstall the bolts and belt back into the seat bottom.
5. Tighten the bolts.



**Figure 20. Seat Height Adjustment**

# V. COMFORT ADJUSTMENTS

## Metal tab style positioning belt

### To adjust the positioning belt for operator comfort:

1. Insert the metal tab on the right side of the belt into the plastic housing on the opposite strap until you hear a “click.” See figure 21.
2. Pull the strap on the right side of the belt until it is secure, but not so tight as to cause discomfort.

### To release the positioning belt:

1. Press the push button mechanism on the plastic housing.

**MANDATORY!** Make sure the positioning belt is properly secured to the vehicle and is adjusted for operator comfort before each use.



**MANDATORY!** Inspect the positioning belt for loose parts or damage, including tears, worn spots, bent hardware, or damaged latch mechanisms, dirt or debris, before each use of the vehicle. If you discover a problem, contact your authorized dealer for maintenance and repair.

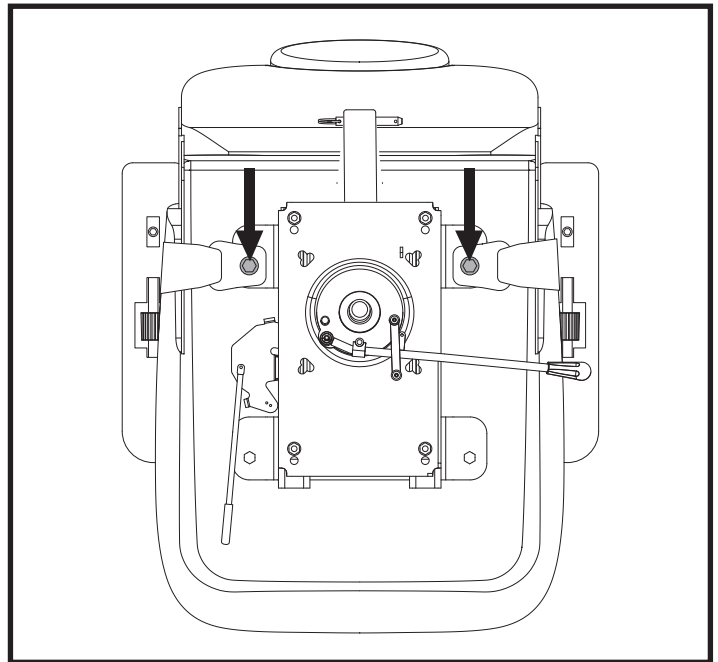


Figure 21. Positioning Belt Bolts

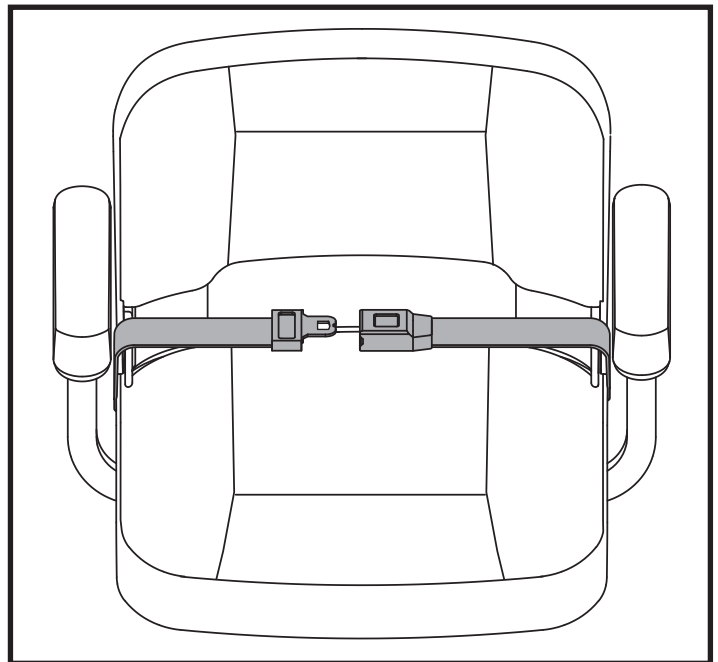


Figure 22. Positioning Belt–Metal Tab Style

# VI. DISASSEMBLY AND ASSEMBLY

## DISASSEMBLY

You can disassemble the vehicle into several pieces: the seat, the vehicle base, the batteries, and the battery shroud. See **figure 23**. No tools are required to disassemble or assemble your vehicle, but keep in mind that the disassembled sections of the vehicle take up more floor space than the assembled unit. Always disassemble or assemble your vehicle on a level, dry surface with sufficient room for you to work and move around your vehicle—about 5 feet (1.5 meters) in all directions. Remember that some vehicle components are heavy and you may need assistance when lifting them.



**WARNING! Do not lift beyond your physical capability. Ask for assistance when necessary while disassembling or assembling your vehicle.**

**WARNING! Do not pick up the seat frame or vehicle by the armrests. They are free to pivot, and you may lose control of the seat if they do so.**

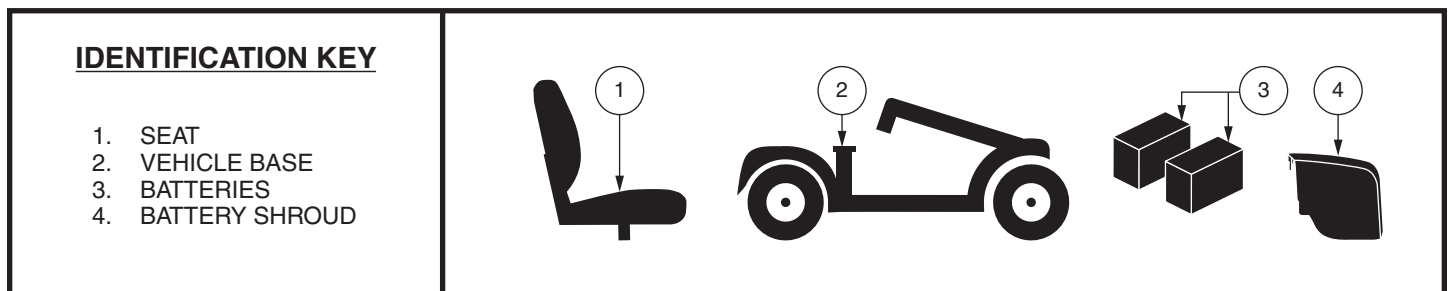


Figure 23. Disassembled Vehicle

## DISASSEMBLY

1. Remove the seat by lifting it straight up and off of the vehicle. If you encounter resistance when removing the seat, disengage the seat rotation lever and swivel the seat back and forth while lifting up on the seat.
2. Remove the battery shroud from the vehicle. See **figure 12**.
3. Disconnect the battery tie-down straps.
4. Disconnect all battery harnesses from the battery terminals by sliding back the terminal boots and unscrewing the nuts from the bolts. See **figures 13 and 14**.
5. Remove the batteries from the battery wells.

## ASSEMBLY

1. Reinstall the batteries to the battery wells.
2. Connect the battery harnesses. See **figures 13 and 14**.
3. Secure the battery tie-down straps.
4. Reinstall the battery shroud.
5. Reinstall the seat and rotate it into place.

# VII. BASIC TROUBLESHOOTING

Any electromechanical device occasionally requires some troubleshooting. However, most of the problems that may arise can usually be solved with a bit of thought and common sense. Many of these problems occur because the batteries are not fully charged or because the batteries are worn down and can no longer hold a charge.

## DIAGNOSTIC FAULT CODES

The diagnostic fault codes for your vehicle are designed to help you perform basic troubleshooting quickly and easily. A diagnostic fault code will be communicated in the event one of the conditions listed below develops. Depending on the source of the error, your vehicle will communicate by one of the coding methods as follows:

1. A diagnostic fault code and error message will be displayed on your LCD screen (see figure 24), **OR**
2. A beep code will identify the condition, pause, then repeat the beep code. The beep code will continue to alert you in this manner until the vehicle is turned off.

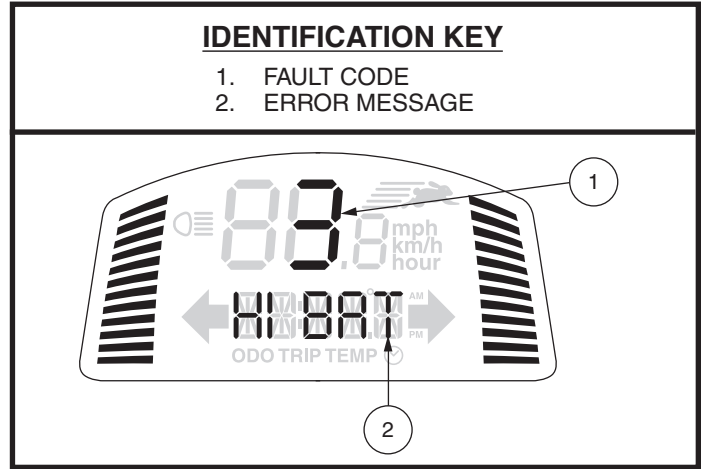


Figure 24. Fault Code Display

**NOTE:** Your vehicle will not run unless the fault code condition is resolved and the vehicle has been turned off, then turned back on.

FAULT CODE	CONDITION	SOLUTION	ERROR MESSAGE
2	Low voltage; batteries need charge immediately	Charge batteries as soon as possible.	Lo BAT
3	Over voltage	Unplug charger and/or turn vehicle off, then back on.	HI BAT
4	Over current	Turn vehicle off for a few minutes, then turn vehicle back on.	HI CUR
5	Park brake fault	Remove the key from the key switch, then push the manual freewheel lever to the drive (rearward) position and restart your vehicle.	BRAKE
6	Throttle control lever not centered at start up	Return the throttle control lever to center position, turn vehicle off, then back on.	T POT
7	Throttle control lever broken or faulted	Contact your authorized dealer.	T POT
8	Motor fault	Contact your authorized dealer.	MOTOR
9	Other fault	Contact your authorized dealer.	OTHER

Figure 25. Models with LCD Control Panel

## VII. BASIC TROUBLESHOOTING

### **What if all the systems on my vehicle seem to be dead?**

- Make certain that the key is in the “on” position.
- Check that the batteries are fully charged.
- Push in the main circuit breaker reset button. See II. “Your Vehicle.”
- Make certain that the battery and front-to-rear harnesses are connected properly.
- Be sure the power down timer feature has not been activated. See IV. “Operation.”

### **What if my vehicle does not move when I engage the throttle control lever?**

- When the manual freewheel lever is pushed forward, the brakes are disengaged and all power to the motor/transaxle assembly is cut.
- Push rearward on the manual freewheel lever, turn the vehicle off, and then turn the vehicle on to return to normal vehicle operation.

### **What if the main circuit breaker repeatedly trips?**

- If the main circuit breaker trips repeatedly, see your authorized dealer for service.
- Charge the batteries more frequently. See III. “Batteries and Charging.”
- If the problem continues, have both of your vehicle’s batteries load tested by your authorized dealer.
- You may also perform the load test yourself. Battery load testers are available at most automotive parts stores. Follow the directions supplied with the load tester.
- See III. “Batteries and Charging” or “Specifications” for information about your vehicle’s battery type.

### **What if the battery condition meter dips way down and the motor surges or hesitates when I engage the throttle control lever?**

- Fully charge your vehicle’s batteries. See III. “Batteries and Charging.”
- Have your authorized dealer load test each battery.
- See the previous troubleshooting question for load testing the batteries yourself.

If you experience any problems with your vehicle that you are not able to solve, immediately contact your authorized dealer for information, maintenance and service.

## VIII. CARE AND MAINTENANCE

Your vehicle requires a minimal amount of care and maintenance. If you do not feel confident in your ability to perform the maintenance listed below, you may schedule inspection and maintenance at your authorized dealer. The following areas require periodic inspection and/or care and maintenance.

### TIRE PRESSURE – PNEUMATIC TIRES

- If equipped with pneumatic tires, always maintain the psi/bar/kPa air pressure rating indicated on each tire.



**WARNING! It is important that the psi/bar/kPa air pressure rating indicated on each tire be maintained in pneumatic tires at all times. Do not underinflate or overinflate your tires. Low pressure may result in loss of control, and overinflated tires may burst. Failure to maintain the psi/bar/kPa air pressure rating indicated on the tires at all times may result in tire and/or wheel failure.**

- Regularly inspect your vehicle's tires for signs of damage or wear.

### EXTERIOR SURFACES

Bumpers, tires, and trim can benefit from an occasional application of a rubber or vinyl conditioner.



**WARNING! Do not use a rubber or vinyl conditioner on the vehicle's vinyl seat or tire tread, as this may cause them to become dangerously slippery.**

### CLEANING AND DISINFECTION

- Use a damp cloth and mild, non-abrasive cleanser to clean the plastic and metal parts of your vehicle. Avoid using products that may scratch the surface of your vehicle.
- If necessary, clean your product with an approved disinfectant. Make sure the disinfectant is safe for use on your product before application.



**WARNING! Follow all safety instructions for the proper use of the disinfectant and/or cleaning agent before applying it to your product. Failure to comply may result in skin irritation or premature deterioration of upholstery and/or vehicle finishes.**

### BATTERY TERMINAL CONNECTIONS

- Make certain that the terminal connections remain tight and uncorroded.
- The batteries must sit flat in the battery wells.
- The battery terminals should face according to the battery wiring diagram. See III. "Batteries and Charging."

### WIRING HARNESSES

- Regularly check all wiring connections.
- Regularly check all wiring insulation, including the charger power cord, for wear or damage.
- Have your authorized dealer repair or replace any damaged connector, connection, or insulation that you find before using your vehicle again.



**PROHIBITED! Even though the vehicle has passed the necessary testing requirements for ingress of liquids, you should keep electrical connections away from sources of dampness, including direct exposure to water or bodily fluids and incontinence. Check electrical components frequently for signs of corrosion and replace as necessary.**



**WARNING! Do not pull on electrical harnesses directly to detach them from the vehicle. Always grasp the connector itself when disconnecting the harness to prevent wire damage.**

# VIII. CARE AND MAINTENANCE

## WHEEL REPLACEMENT

If your vehicle is equipped with pneumatic tires and you have a flat tire, you can have the tire replaced. Contact your authorized dealer for information regarding replacement wheels for your vehicle.

**WARNING! Wheels on your vehicle should only be serviced/replaced by a qualified technician.**

**WARNING! Completely deflate pneumatic tires before dismantling the rim or attempting repair.**



**WARNING! Be sure that the key is removed from the key switch and the vehicle is not in freewheel mode before performing this procedure.**

**WARNING! When changing a pneumatic tire, remove only the lug nuts, then remove the wheel. If any further disassembly is required, deflate the tire COMPLETELY or it may explode.**

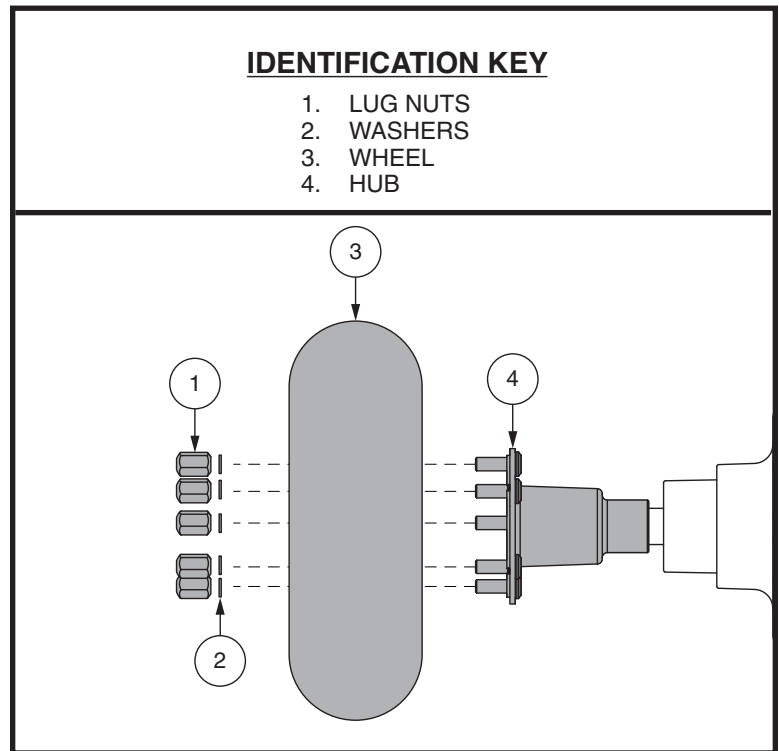


Figure 26. Wheel Removal

Follow these easy steps for a quick and safe repair for pneumatic tires:

1. Remove the key from the key switch and ensure your vehicle is not in freewheel mode.
2. Elevate the side of the vehicle of which you are removing the tire. Place wooden blocks under the frame to elevate the vehicle.
3. Remove the lug nuts and washers from the hub. See figure 26.
4. Remove the wheel from the hub.
5. Reassemble the rim halves.
6. Slide the wheel back onto the hub.
7. Reinstall the washers and then the lug nuts and tighten.



**WARNING! Ensure that the axle key is properly installed into the axle slot when mounting the wheel. If not installed securely, the braking system is disengaged which may cause personal injury and/or product damage may result.**

8. Inflate pneumatic tires to the psi/bar/kPa air pressure rating indicated on each tire.
9. Remove the block from beneath the vehicle.



# VIII. CARE AND MAINTENANCE

## DAILY CHECKS

- With the power turned off, check the throttle. Make sure it is not bent or damaged and that it returns to the neutral position when you release it. Do not try to repair it. See your authorized dealer if there is a problem.
- Visually inspect the tiller cable. Make sure that it is not frayed, cut, or has any wires exposed. See your authorized dealer if there is a problem.
- Check for flat spots on solid tires. Flat spots could adversely affect stability.
- Inspect the armrests for loose hardware, stress points, or damage. See your authorized dealer if there is a problem.
- Check the brakes. This test should be carried out on a level surface with at least 3 feet (1 meter) of clearance around your vehicle.

### To check the brakes:

1. Turn on the power and turn down the speed level of your vehicle.
2. After one second, check the battery condition meter. Make sure that it remains on.
3. Slowly pull the throttle forward until you hear the electric brakes click. Immediately release the throttle. You must be able to hear the electrical brake operating within a few seconds of throttle movement. Repeat this test by pulling the throttle in the opposite direction.

## WEEKLY CHECKS

- Inspect the controller and charger connectors for corrosion. Contact your authorized dealer if necessary.
- Check for proper tire inflation, if equipped with pneumatic tires. If a tire does not hold air, contact your authorized dealer for replacement of the tube.

## MONTHLY CHECKS

- Check that the anti-tip wheels do not rub the ground when you operate the vehicle.
- Check for extreme wear on the anti-tip wheels. Replace them as necessary.
- Check for tire wear. See your authorized dealer for repair.
- Keep your vehicle clean and free of foreign material, such as mud, dirt, hair, food, drink, etc.

## YEARLY CHECKS

Take your vehicle to your authorized dealer for yearly maintenance, especially if you use your vehicle on a daily basis. This helps ensure that your vehicle is functioning properly and helps prevent future complications.

## ABS PLASTIC SHROUDS

If your vehicle has a body shroud with a **glossy finish**, the body shroud has been sprayed with a clear sealant coating. You can apply a light coat of car wax to help it retain its high-gloss appearance. If your vehicle has a body shroud with a **matte finish**, use **ONLY** products developed for matte-finish paint. Do not use wax, detail spray, ArmorAll®, or any product made for glossy paint.



**WARNING! Carefully choose the correct product to protect the finish of your vehicle's shroud(s). ONLY products developed for matte-finish paint should be used on shrouds with a matte finish. Failure to follow this warning may result in damage to the shroud's matte paint finish.**

## AXLE BEARINGS AND THE MOTOR/TRANSAXLE ASSEMBLY

These items are all prelubricated, sealed, and require no subsequent lubrication.

## MOTOR BRUSHES

The motor brushes are housed inside of the motor transaxle/assembly. They should be inspected periodically for wear by your authorized dealer.

# VIII. CARE AND MAINTENANCE

## CONSOLE, CHARGER AND REAR ELECTRONICS

- Keep these areas free of moisture.
- Allow these areas to dry thoroughly if they have been exposed to moisture before operating your vehicle again.

## FUSE REPLACEMENT

**In the event a fuse should cease to work:**

1. Remove the fuse by pulling it out of its slot.
2. Examine the fuse to be sure it is blown. See **figure 27**.
3. Insert a new fuse of the same rating.



**WARNING! The replacement fuse must exactly match the rating of the fuse being replaced. Failure to use properly rated fuses may cause damage to the electrical system.**

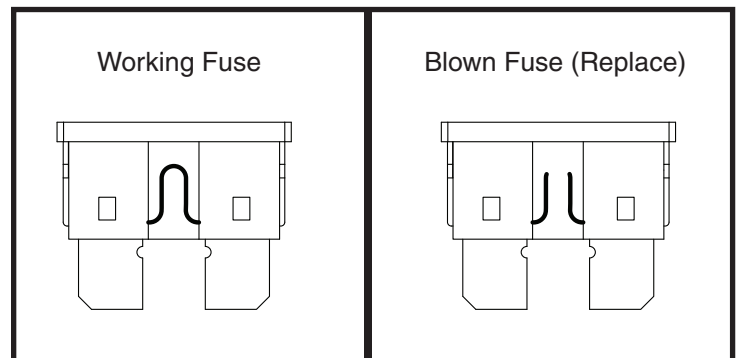


Figure 27. Fuse Replacement

## NYLON LOCK NUT REPLACEMENT

Any nylon insert lock nut removed during the periodic maintenance, assembly or disassembly of the vehicle must be replaced with a new nut. Nylon insert lock nuts should not be reused as it may cause damage to the nylon insert, resulting in a less secure fit. Replacement nylon insert lock nuts are available at local hardware stores or through your authorized dealer.

## STORING YOUR VEHICLE

If you plan on not using your vehicle for an extended period of time, it is best to:

- Fully charge its batteries prior to storage.
- Disconnect the batteries from the vehicle.
- Store your vehicle in a warm, dry environment.
- Avoid storing your vehicle where it will be exposed to temperature extremes.
- Recommended storage temperature: -40°F/-40°C to 149°F/65°C.



**WARNING! Always protect batteries from freezing temperatures and never charge a frozen battery. Charging a frozen battery can result in damage to the battery.**

Batteries that are regularly and deeply discharged, infrequently charged, stored in extreme temperatures or stored without a full charge may be permanently damaged, causing unreliable performance and limited service life. It is recommended that you charge the vehicle batteries periodically throughout periods of prolonged storage to ensure proper performance.

You may wish to place several boards under the frame of your vehicle to raise it off of the ground during periods of prolonged storage. This takes the weight off the tires and reduces the possibility of flat spots developing on the areas of the tires contacting the ground.

## DISPOSAL OF YOUR VEHICLE

Your vehicle must be disposed of according to applicable local and national statutory regulations. Contact your local waste disposal agency or authorized dealer for information on proper disposal of packaging, metal frame components, plastic components, electronics, batteries, neoprene, silicone and polyurethane materials.



**WARNING! Plastic bags are a suffocation hazard. Dispose of plastic bags properly and do not allow children to play with them.**

# NOTES

# NOTES



MONTAGE



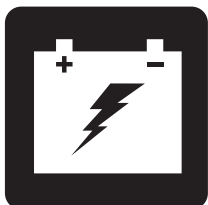
FONCTIONNEMENT



CONFORT



ENTRETIEN



RECHARGE DES BATTERIES

# MV600

## MANUEL DE L'UTILISATEUR

# CONSIGNES DE SECURITE



**MISE EN GARDE!** Votre détaillant autorisé ou un technicien qualifié doit faire le montage initial de ce véhicule et suivre toutes les procédures énumérées dans ce manuel.

Les symboles suivants sont utilisés tout au long de ce manuel pour identifier les mises en garde et moments d'attention particulière. Il est important de les comprendre et de les suivre à la lettre.



**MISE EN GARDE!** Indique une condition/situation potentiellement dangereuse. Vous devez respecter les consignes sous peine de vous blesser, de causer des dommages ou un mauvais fonctionnement. Ce pictogramme apposé sur le produit est de couleur noire sur un triangle jaune avec bordure noire.



**OBLIGATOIRE!** Ces actions doivent être exécutées selon les consignes sous peine de vous blesser, et/ou d'endommager l'appareil. Ce pictogramme apposé sur le produit est de couleur blanche avec un point bleu et bordure blanche.



**INTERDIT!** Ces actions sont interdites. Vous ne devez sous aucune considération, entreprendre ces actions. Ces actions peuvent entraîner des blessures et/ou dommages à votre équipement. Ce pictogramme apposé sur le produit est de couleur noire avec un rond rouge et barre rouge.

## UTILISATION PRÉVUE

L'utilisation prévue des produits est d'offrir la mobilité à des personnes limitées à une position assise, qui ont la capacité de faire fonctionner un véhicule.

## CONCERNANT L'UTILISATION D'APPAREILS FOURNIS SUR ORDONNANCE



**MISE EN GARDE!** En vertu de la loi fédérale cet appareil ne peut être vendu que par un médecin ou sur prescription médicale ou par d'autres personnes certifiées autorisées par la loi de l'État (États-Unis uniquement) ou de la région dans laquelle ces personnes sont spécialisées dans l'utilisation ou peuvent prescrire l'utilisation de cet appareil.

S.V.P. veuillez compléter les informations ci dessous:

Détaillant: \_\_\_\_\_

Adresse: \_\_\_\_\_

Téléphone: \_\_\_\_\_

Date d'achat: \_\_\_\_\_ Numéro de Série: \_\_\_\_\_

*NOTE: Ce manuel a été préparé à partir des spécifications et informations disponibles au moment de sa publication. Nous réservons le droit d'apporter des changements lorsque il est nécessaire. Certains changements peuvent causer de légères variations entre les illustrations, les explications de ce manuel et l'appareil que vous avez acheté. La dernière version de ce manuel est sur notre site Internet.*

*NOTE: Ce produit répond aux exigences et respecte les directives des normes WEEE, RoHS et REACH.*

*NOTE: Ce produit conforme à la classification IPX4 (IEC 60529).*

*NOTE: Le véhicule et ses composants ne sont pas fabriqués avec du latex da caoutchouc naturel. Veuillez consulter la fabricant en ce qui concerne les accessoires après-ventes.*

# TABLE DES MATIERES

<b>CONSIGNES DE SECURITE .....</b>	<b>38</b>
<b>I. SECURITE .....</b>	<b>40</b>
<b>II. VOTRE VÉHICULE .....</b>	<b>43</b>
<b>III. BATTERIES ET RECHARGE .....</b>	<b>51</b>
<b>IV. FONCTIONNEMENT .....</b>	<b>58</b>
<b>V. REGLAGES CONFORT .....</b>	<b>60</b>
<b>VI. MONTAGE ET DEMONTAGE .....</b>	<b>64</b>
<b>VII. PROBLEMES ET SOLUTIONS .....</b>	<b>65</b>
<b>VIII. SOINS ET ENTRETIEN .....</b>	<b>67</b>

# I. SECURITE

## PICTOGRAMME DE SECURITE

Les pictogrammes ci-dessous sont utilisés sur le véhicule pour indiquer les actions obligatoires, mises en garde et actions prohibées. Il est très important de les lire et de bien les comprendre.

**NOTE:** Vous trouverez davantage d'avertissements identifiés et expliqués dans le guide de la sécurité du consommateur inclus avec votre véhicule. Veuillez-vous familiariser avec tous les avertissements et les consignes de sécurité contenus dans le guide de la sécurité du consommateur et référez-vous souvent à cette ressource.



**Lisez et respectez les consignes et informations contenues dans ce manuel.**



**Identifie les points d'ancrage.**



**Véhicule plaques des information**



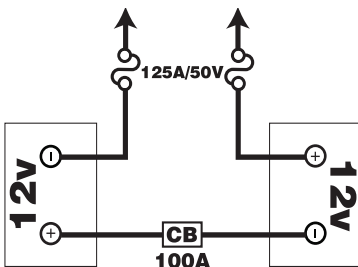
**Fabriqué en**



ou



**Ce véhicule n'est pas conforme à la norme ISO 7176-19 pour être occupé (personne prenant place sur le siège du véhicule) pendant le transport dans un véhicule en marche. Ne vous assoyez pas dans votre véhicule lorsque celui-ci est dans un véhicule en mouvement.**



**Configuration des batteries:**

**+ = Borne positive (Rouge)**

**- = Borne négative (Noir)**

**Branchez le fil rouge à la borne positive (+).**

**Branchez le fil noir à la borne négative (-).**



**Rechargez les batteries complètement avant l'utilisation.**

**Retirez la clé de votre véhicule lorsque celui-ci est laissé sans surveillance.**



# I. SECURITE

## CONSIGNES DE SECURITE GENERALES



**OBLIGATOIRE! Ne prenez pas votre véhicule pour la première fois sans avoir lu et compris les instructions et consignes de sécurité contenues dans ce manuel et le Guide de sécurité du consommateur.**

Votre véhicule est un produit à la pointe de la technologie. Nous fournissons une grande variété de produits pour répondre au mieux aux besoins individuels de l'utilisateur du véhicule.

Dans certaines situations, l'utilisateur du véhicule devra s'exercer à utiliser le véhicule.

Lorsque vous commencerez à utiliser votre véhicule, vous serez confronté à des situations qui demandent une certaine habileté. Prenez alors votre temps et procédez lentement, vous développerez de la facilité pour manoeuvrer dans les ascenseurs, ouvrir les portes, négocier les rampes d'accès et pour rouler sur des surfaces modérément difficiles.

Des informations générales complémentaires peuvent être trouvées sur les fiches et les livrets d'information supplémentaires incluses dans le paquet du propriétaire. Veuillez lire et revoir l'information entièrement, et gardez-la à portée de la main pour future référence.

Vous trouverez ci-dessous des conseils, consignes et mises en garde qui vous seront utiles afin de vous acclimater à la conduite sécuritaire du véhicule.

### AVANT DE PRENDRE LA ROUTE

Apprenez à connaître les capacités et limites de votre véhicule. Faites les vérifications requises avant chaque sortie pour vous assurer d'un fonctionnement sans problème et sécuritaire.

#### Inspectez les points suivants avant de prendre la route:

- Vérifiez la pression dans les pneus. Assurez-vous qu'ils ne sont pas endommagés ou excessivement usés.
- Inspectez les connexions électriques. Vérifiez qu'il n'y a pas de rouille et qu'elles soient bien serrées.
- Vérifiez le câble et les fils. Assurez-vous qu'elles soient branchées de façon sécuritaire.
- Vérifiez les freins afin de s'assurer qu'ils fonctionnent correctement.
- Vérifiez le compteur d'état de la batterie pour s'assurer que les batteries sont complètement chargées.
- Assurez-vous que la manette de déblocage manuelle est en mode d'entraînement avant de s'asseoir sur le véhicule.

Si vous découvrez un problème, contactez votre détaillant autorisé pour obtenir de l'aide. Référez-vous aux informations de contact qui sont incluses dans votre paquet du propriétaire.

### INFORMATIONS SUR LE FREINAGE

Votre véhicule est équipé de puissants systèmes de freins:

- Régénératif: Utilise de l'électricité pour freiner le véhicule rapidement lorsque vous relâchez l'accélérateur.
- Frein de stationnement à disque: S'active mécaniquement dès que le frein régénératif a ralenti le véhicule et presque arrêté, ou lorsque le contact est coupé pour quelque motif que ce soit.
- Frein manuel: Vous donne de la puissance de freinage supplémentaire lorsque vous le comprimez Voir la section II. «Votre Véhicule».

# I. SECURITE

## LEVIER DE FREIN A MAIN

Le levier de frein à main contient du liquide hydraulique. Lorsqu'une pression est appliquée sur le levier, le liquide est poussé dans la tubulure pour actionner les coussins de frein vers le disque. Le module de levier à frein est entièrement scellé et le liquide hydraulique ne devrait pas fuir. Cependant, vous devez respecter les consignes de sécurité suivantes si le module venait à se fendiller ou être endommagé.

- Ne touchez pas au liquide sans avoir d'abord mis des gants de protection et des lunettes de sécurité.
- Pour de petites fuites, recouvrez le liquide avec du sable, de la terre sèche ou tout autre matériel non combustible. Lorsque le liquide est absorbé, placez le matériel dans un sac de plastique et contactez votre organisme pour connaître les règlements sur la mise au rebut. Ne jetez pas le matériel dans un cours d'eau ou dans les égouts.
- En cas de contact avec les yeux, retirez les lentilles cornéennes, rincez doucement à l'eau fraîche en soulevant occasionnellement les paupières. Si des larmoiements, des rougeurs ou de la douleur persistent, contactez un médecin.
- Si vous êtes éclaboussé, retirez tous les vêtements souillés. Asséchez la peau et lavez-la avec de l'eau et du savon. Voyez un médecin si la peau semble endommagée ou si une irritation devient persistante. Lavez à fond les vêtements souillés et mettez au rebut les vêtements en cuir souillé.
- En cas d'ingestion, ne tentez pas de provoquer un vomissement et ne buvez pas de liquide sauf sur avis d'un médecin. Ne tentez jamais de donner un élément par la bouche à une personne qui n'est pas entièrement consciente. Demandez de l'aide médicale immédiatement.
- En cas d'exposition à la vapeur, déplacez la personne affectée vers un endroit où l'air est frais. Si la personne ne respire plus, donnez-lui immédiatement la respiration artificielle. Si la personne respire difficilement, celle-ci doit recevoir d'un technicien qualifié de l'oxygène à 100% humidifié. Demandez de l'aide médicale immédiatement et gardez la personne affectée au chaud et au repos.
- En cas d'incendie, utilisez un extincteur à la poudre sèche, à la mousse, au dioxyde de carbone ou de la brume d'eau pour l'éteindre.

**MISE EN GARDE! Ne modifiez pas et ne tentez pas de remplacer le liquide hydraulique. En cas de dommages, respectez les consignes de sécurité énoncées dans cette section et contactez votre détaillant autorisé pour faire remplacer le frein à main. Le module hydraulique de frein à main ne devrait être remplacé ou réparé que par votre détaillant autorisé.**



**MISE EN GARDE! Le module de frein à main contient du liquide hydraulique pouvant causer une légère irritation de la peau, du nez, des bronches et des yeux. Ne tentez pas de régler ou de réparer le module hydraulique sans avoir d'abord mis des gants et des lunettes de protection. Lavez vos mains après avoir manipulé le module.**

## II. VOTRE VÉHICULE

### TABLEAU DE BORD

Le tableau de bord et le guidon inférieur comprennent toutes les commandes nécessaires pour conduire votre véhicule, y compris le panneau de commande LCD, les leviers d'accélérateur, la clé de contact et le commutateur du levier d'accélérateur. **Voir la figure 1.**



**INTERDIT! N'exposez pas le tableau de bord à l'humidité. Si le tableau venait à être mouillé, ne tentez pas d'utiliser votre véhicule avant que le tableau ait été asséché à fond.**

#### CLE D'IDENTIFICATION

- |                                      |                                 |
|--------------------------------------|---------------------------------|
| 1. KLAXON                            | 8. MIROIR ET PRISES POUR MIROIR |
| 2. REGLAGE DE LA VITESSE (AUGMENTER) | 9. FREIN MANUEL                 |
| 3. REGLAGE DE LA VITESSE (DIMINUER)  | 10. BOUTON MODE                 |
| 4. BOUTONS DES CLIGNOTANTS           | 11. BOUTON DES FEUX D'URGENCE   |
| 5. LEVIERS D'ACCELERATEUR            | 12. BOUTON SET (REGLAGE)        |
| 6. COMMUTATEUR HI-LO                 | 13. ECRAN LCD                   |
| 7. BOUTONS DES FEUX                  | 14. LEVIER DE REGLAGE DU GUIDON |
|                                      | 15. BLOCAGE DE FREIN            |

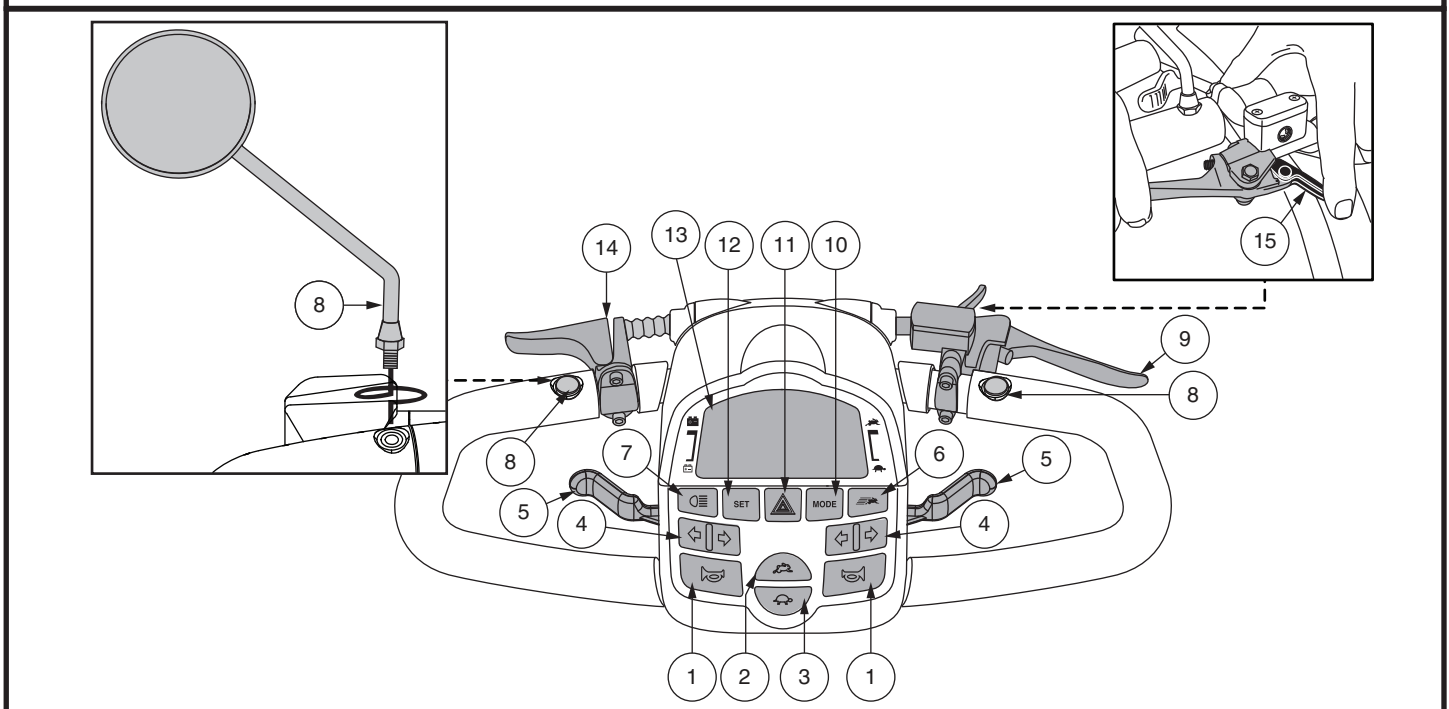


Figure 1. Panneau de commande LCD

#### Klaxon

Pesez sur le bouton pour klaxonner. Assurez-vous que la clé est sur le contact et que le véhicule est allumé. N'hésitez pas à klaxonner si vous croyez pouvoir éviter un accident.

#### Boutons de réglage de la vitesse

Ces boutons de réglage permettent de présélectionner et de limiter la vitesse de votre véhicule. Ceci est indiqué par l'indicateur de vitesse maximum sur l'écran LCD.

- Appuyer sur l'image de la **tortue** pour diminuer la vitesse du véhicule
- Appuyer sur l'image du **lapin** pour augmenter la vitesse du véhicule.

#### Boutons des clignotants

- Appuyer une fois sur le bouton approprié pour allumer le clignotant. Le clignotant clignote sur l'écran LCD.
- Appuyer sur le même bouton pour l'éteindre.

## II. VOTRE VÉHICULE

### Leviers d'accélérateur

Ces leviers vous permettent de contrôler la vitesse avant et arrière de votre VMP jusqu'à la vitesse maximum déterminée par les boutons de réglage de la vitesse. Un levier d'accélérateur se trouve sur la partie inférieure des côtés gauche et droit du guidon. **Voir la figure 1.**

*Pour utiliser le levier de contrôle d'accélération:*

**Pour rouler vers l'avant choisissez l'une ou l'autre de ces méthodes:**

- Utilisez votre pouce gauche pour appuyer sur le levier gauche et avancer.
- Utilisez vos doigts de la main droite pour tirer sur le levier droit et avancer.

**Pour rouler vers l'arrière choisissez l'une ou l'autre de ces méthodes:**

- Utilisez votre pouce droit pour appuyer sur le levier droit et reculer.
- Utilisez vos doigts de la main gauche pour tirer sur le levier gauche et reculer.

Relâchez le levier complètement afin que le véhicule s'immobilise complètement avant d'engager le levier opposé et changer de sens de roulement. Le levier retourne de lui-même au centre pour stopper le véhicule afin que les freins s'engagent automatiquement.

### Commutateur Hi-Lo

Pour changer la vitesse maximale du véhicule entre les réglages HIGH et LOW.

- Appuyer une fois sur le bouton **Hi-Lo** pour fixer le réglage de la vitesse à Hi. L'indicateur Hi-Lo s'affiche sur l'écran LCD. **Voir la figure 1.** L'utilisation de ce paramètre en conjonction avec les boutons de réglage de la vitesse permet au véhicule d'atteindre des vitesses jusqu'à la vitesse maximale préprogrammée pour le véhicule.
- Appuyer de nouveau sur le bouton **Hi-Lo** pour fixer le réglage de la vitesse à Lo. L'indicateur Hi-Lo ne s'affiche pas sur l'écran LCD. L'utilisation de ce paramètre en conjonction avec les boutons de réglage de la vitesse permet au véhicule d'atteindre des vitesses jusqu'à la moitié de la vitesse maximale préprogrammée pour le véhicule.

### Boutons des feux

Cet interrupteur est le système d'éclairage de votre véhicule.

- Appuyer une fois sur le bouton des feux pour activer le système d'éclairage. Le symbole «feux» s'affiche sur l'écran LCD.
- Appuyer de nouveau sur le bouton pour éteindre le système d'éclairage.



**MISE EN GARDE! Vous devez allumer les feux (jour et nuit) lorsque la visibilité est mauvaise.**

### Bouton des feux d'urgence

Ce bouton active les feux d'urgence jaunes sur votre véhicule.

- Appuyer une fois sur le bouton pour activer les feux d'urgence.
- Appuyer de nouveau sur le bouton pour désactiver les feux d'urgence.

**NOTE:** Les feux d'urgence clignotent et un bip sonore retentit tant que les feux d'urgence sont activés. Voir la figure 3 pour le contrôle du volume.

### Réglage du guidon

Pour plus d'informations sur le positionnement et le réglage de votre motoculteur, voir V. "Réglages confort".

### Positionnement et réglage du miroir

Pour plus d'informations sur le positionnement et le réglage de votre miroir, voir section V. "Réglages confort".

## II. VOTRE VÉHICULE

### Écran LCD et les paramètres du panneau de commande

Le panneau de commande LCD vous donne des informations intuitives via l'écran LCD. Voir la figure 1. L'écran LCD est également utilisé lors de la configuration initiale (activation) des différents paramètres du panneau de commande.

### Levier de frein à main

Ce levier vous procure de la puissance de freinage pour les arrêts d'urgence. Lorsque vous roulez, relâchez l'accélérateur et compressez doucement le levier de frein à main afin d'arrêter le véhicule. L'efficacité du frein à main peut être modifiée en resserrant ou en desserrant la vis de réglage située sur le levier de frein à main. Voir la figure 2.

Le frein à main peut être verrouillé et utilisé comme frein de stationnement en appuyant à fond sur le levier du frein à main et en déplaçant le verrou de frein en position verrouillée. Voir la figure 2. Pour déverrouiller le frein, serrez complètement le frein à main.



**MISE EN GARDE! Le frein à main a été conçu pour les freinages d'urgence et pour le stationnement seulement.**

### Bouton de Mode

Utiliser le bouton de mode pour défiler entre l'odomètre, le totaliseur, la température et l'horloge.

### Réceptacle du chargeur externe

Pour charger les batteries, le cordon du chargeur doit être branché dans ce réceptacle. Le réceptacle est situé sur le guidon.

### Clé de contact

- Insérez la clé dans le contact et tournez-la dans le sens horaire pour allumer votre véhicule.
- Tournez la clé dans les sens opposé pour couper le contact de votre véhicule.



**MISE EN GARDE! Si le contact est coupé alors que le véhicule est en mouvement, les freins électroniques s'engageront et stopperont le véhicule abruptement!**

### Fusibles du système électrique

Votre véhicule est équipé d'une série de fusibles électriques qui protègent le système de recharge externe, le circuit du contact, les éclairages contre une surcharge de courant électrique. Ces fusibles sont de même type que ceux utilisés dans les automobiles et sont situées dans un compartiment sur le guidon. Voir la figure 5. Voir VII. "Problèmes et solutions" pour les instructions de remplacement.

**NOTE: Gardez les espaces électriques bien au sec et libres de saletés.**

#### CLE D'IDENTIFICATION

1. FREIN MANUEL
2. VIS DE RÉGLAGE
3. BLOCAGE DE FREIN

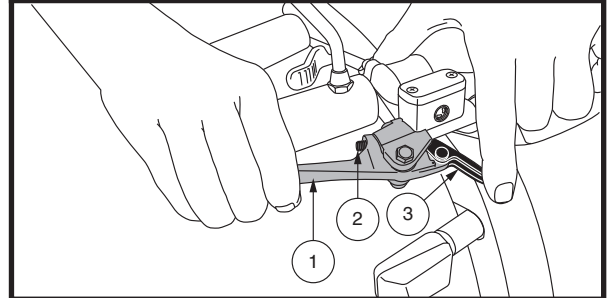


Figure 2. Levier de frein à blocage et blocage de frein (en position verrouillée)

#### CLE D'IDENTIFICATION

1. CLE DE CONTACT
2. RECEPTACLE DU CHARGEUR EXTERNE
3. CONSOLE DE BARRE MOTRICE

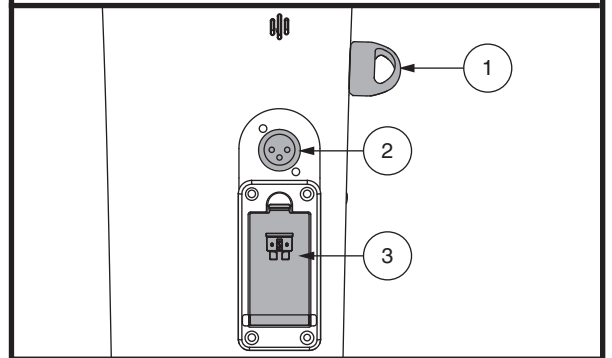


Figure 3. Composants de barre inférieure

#### CLE D'IDENTIFICATION

1. RECEPTACLE DU CHARGEUR EXTERNE
2. CHARGEUR USB
3. FUSIBLE A CLE
4. BATTERIE FUSIBLE

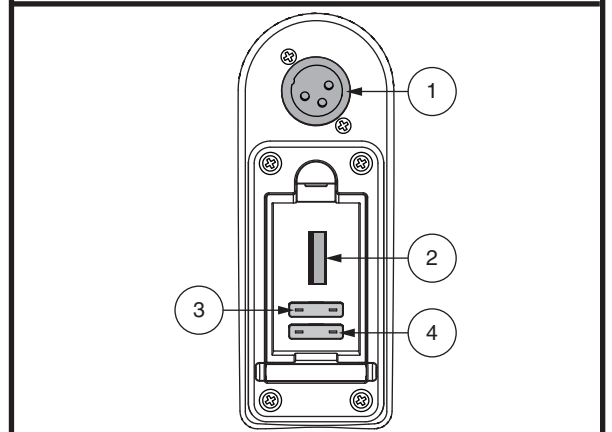


Figure 4. Réceptacle du chargeur externe/ Fusibles de la console du guidon

## II. VOTRE VÉHICULE

### ECRAN LCD ET LES PARAMETRES DU PANNEAU DE COMMANDE

Le panneau de commande LCD donne des informations intuitives via l'écran LCD. Voir la figure 5. L'écran LCD est également utilisé lors de la configuration initiale (activation) des différents paramètres du panneau de commande. Voir la tableau 1.

#### CLE D'IDENTIFICATION

- |                                  |  |
|----------------------------------|--|
| 1. JAUGE A BATTERIES             | 8. AM/PM                               |
| 2. INDICATEUR DES FEUX           | 9. HORLOGE                             |
| 3. VITESSE/CODE ERREUR/VOLUME    | 10. TEMPERATURE                        |
| 4. INDICATEUR HI-LOW             | 11. DISTANCE/HEURE/TEMP/MESSAGE ERREUR |
| 5. INDICATEUR D'UNITE            | 12. TOTALISEUR                         |
| 6. INDICATEUR MAXIMUM DE VITESSE | 13. ODOMETRE                           |
| 7. CLIGANOTANT DROIT             | 14. CLIGANOTANT GAUCHE                 |

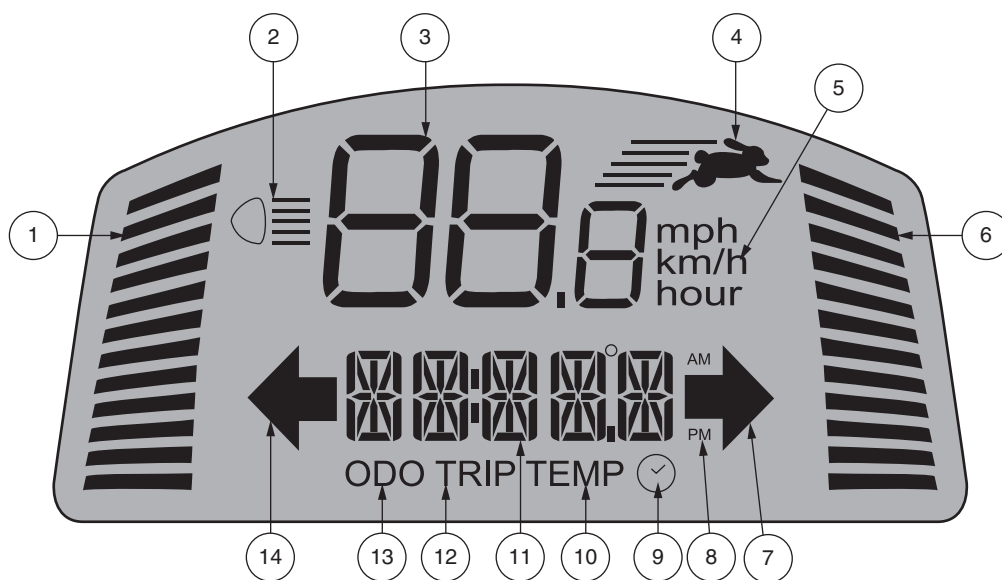



Figure 5. Écran LCD

**NOTE:** Pour programmer les paramètres du panneau de commande, le voyant haut-bas doit être éteint et le voyant de vitesse maximale doit être réglé à son maximum. Voir la figure 1.





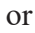




## II. VOTRE VÉHICULE

**TABLEAU DE CONFIGURATION DES PARAMETRES**

PARAMETRES	CODE	INFORMATION
Odometre	<b>ODO</b>	Mesure mph, km/h et les heures d'utilisation. Affiche également la distance totale parcourue pour toute la durée de vie du véhicule. (Ne peut pas être remise à zéro.)
Totaliseur	<b>TRIP</b>	Affiche la distance du trajet parcouru. (Peut être remise à zéro.)
Température	<b>TEMP</b>	Affiche la température actuelle en °C ou °F.
Horloge		Affiche l'heure au format 12 heures (AM/PM) ou 24 heures.

**Tableau 1. Informations sur le Panneau de Commande LCD**

Appuyer sur **MODE** jusqu'à ce que le paramètre que vous voulez modifier s'affiche sur l'écran LCD. Ensuite, maintenez enfoncées les touches **SET** et **MODE** jusqu'à ce que le réglage clignote, puis suivez les étapes correspondant à votre réglage dans le **tableau 2**.

	<b>ODO</b>	<b>TRIP</b>	<b>TEMP</b>	
<b>Opération</b>	Appuyer sur <b>MODE</b>	Appuyer sur <b>MODE</b> pour 2 secondes puis relâcher	Appuyer sur <b>MODE</b>	Appuyer sur <b>MODE</b> (les chiffres des heures clignent)
<b>Sélection</b>	Utiliser <b>SET</b> pour sélectionner l'option	Appuyer et maintenir <b>SET</b> jusqu'à ce que l'option se réinitialise à 0,0	Utiliser <b>SET</b> pour sélectionner °C ou °F.	Utiliser <b>SET</b> pour changer les heures. Appuyer sur <b>MODE</b> et <b>SET</b> pour passer des heures aux minutes et puis changer les minutes et AM/PM.
<b>Sortie</b>	Appuyer sur  or 	Appuyer sur  or 	Appuyer sur  or 	Appuyer sur  or 

**Chart 2. LCD Control Panel Information**

### Mode de charge de la batterie

Au cours de la recharge de la batterie, la console affiche l'horloge et la jauge de la batterie.

### Indicateur de l'état de la batterie

Lorsque la clé est tournée à la position «ON», cet indicateur LCD donne une lecture approximative de l'autonomie de la batterie. Lorsque la tension de la batterie du véhicule atteint un niveau faible, un bip d'avertissement retentit une fois, indiquant que la batterie doit être rechargée. Le bip d'avertissement ne retentira pas à nouveau jusqu'à ce que le véhicule soit redémarré ou le levier de commande de l'accélérateur soit enfoncé.

### Indicateur LCD de vitesse maximum

L'indicateur de vitesse maximum affiche la vitesse maximum sélectionnée avec les boutons de réglage de vitesse. Plus de barres sont affichées à l'indicateur et plus votre vitesse est élevée. La vitesse maximum du véhicule sera déterminée par le paramètre HI-LO, ce qui limite la vitesse maximum à la moitié lorsqu'il est réglé sur LO. La vitesse de déplacement réelle sera affichée sur l'affichage de la vitesse sur l'écran LCD.



## II. VOTRE VEHICULE

### Contrôle du volume

Le volume des feux de détresse, klaxon, basse tension, clignotants, et messages d'erreur peut être activé ou désactivé séparément. **Voir la figure 6.**

#### Pour activer ou désactiver le volume:

1. S'assurer que la clé de contact est à la position «OFF».
2. Appuyer sur les deux boutons appropriés simultanément (voir le tableau 3), et tourner la clé à la position «ON».
3. Une fois que l'écran de contrôle du volume apparaît, relâcher les boutons.
4. Appuyez sur le bouton lapin ou le bouton tortue pour faire défiler les modes (0-3 indique désactivé et 4 indique activé).

**NOTE:** Le klaxon peut être activé ou désactivé. Dans Set 2, le réglage du contrôle du volume doit être fixé à 4 pour que le klaxon fonctionne.

5. Pour quitter, appuyer sur n'importe quel bouton sauf le lapin ou la tortue.

**NOTE:** La langue du message d'erreur peut être réglée de la même manière que le volume.

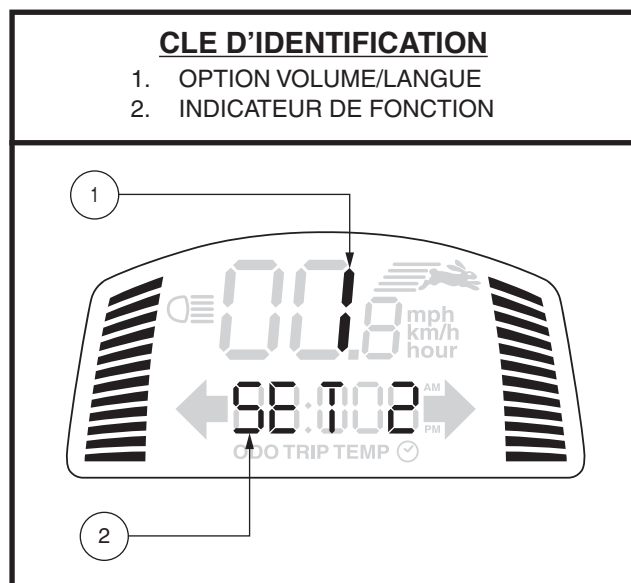


Figure 6. Contrôle du volume

FONCTION	BOUTONS	INDICATEUR DE FONCTION
Boutons des feux d'urgence	SET + BOUTONS DES FEUX D'URGENCE	SET 1
Klaxon	SET + KLAXON	SET 2
Basse tension	SET + LE BOUTON GAUCHE	SET 3
Boutons des clignotants	SET + LE BOUTON DROIT	SET 4
Option de langue pour message d'erreur	SET + COMMUTATEUR DES FEUX	SET 5 6 - Espagnol 5 - Italien 4 - Français 3 - Allemand 2 - Pays-Bas 1 - Anglais 0 - Fermer

Tableau 3. Informations de Contrôle du volume

### SECTION ARRIERE

La section arrière de votre véhicule abrite le levier d'embrayage et le module moteur/transmission. **Voir la figure 7.** Bien que non représenté, les batteries et le disjoncteur principal (bouton de réinitialisation) sont également situés sur la partie de la composante arrière de votre véhicule.



**MISE EN GARDE!** Avant débrayer votre véhicule, soyez assuré que le contact est coupé. Ne jamais asseoir sur votre véhicule lorsqu'il est au neutre (débrayé). Ne jamais débrayer votre véhicule alors que celui-ci est dans une pente ou sur une surface inclinée.



## II. VOTRE VEHICULE

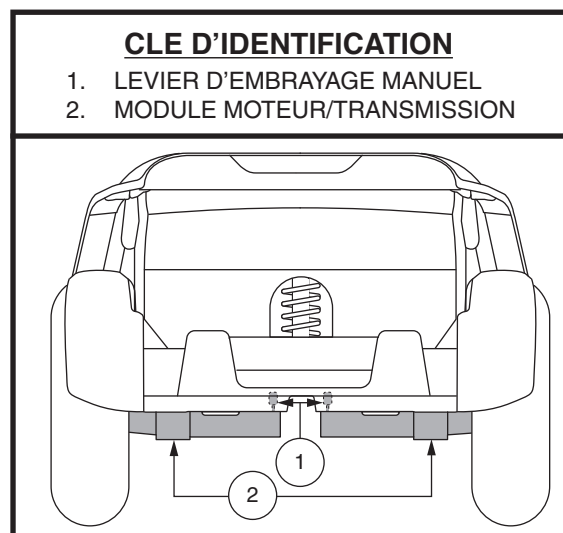
### Levier de débrayage manuel

Vous pouvez débrayer votre véhicule (neutre) pour le déplacer manuellement sur de courtes distances.

1. Retirez la clé du contact.
2. Poussez le levier d'embrayage vers l'avant pour débrayer le véhicule et relâcher les freins. Déplacez le véhicule manuellement.

**NOTE:** Si votre véhicule est équipé d'un levier roue libre à 2 positions, vous devez tirer sur le levier, puis pousser le levier manuel de roue libre en avant afin de désactiver le système d'entraînement et le système de freinage. Cela vous permettra de pousser le véhicule.

3. Tirez le levier vers l'arrière pour embrayer le moteur et réengager les freins.



**MISE EN GARDE!** Lorsque le véhicule est en mode roues libres (au neutre) les freins sont relâchés.



- Passez en mode roues libre seulement lorsque le véhicule est sur une surface horizontale.
- Assurez-vous que la clé n'est pas sur le contact.
- Tenez-vous debout à côté le véhicule pour passer en mode roues libres ou pour embrayer les moteurs. Ne jamais le faire alors que vous êtes assis sur le siège.
- Lorsque vous avez terminé le déplacement manuel du véhicule, remettez toujours le véhicule en mode embrayé afin d'engager les freins.

**NOTE:** Si vous débrayez le véhicule (levier poussé vers l'avant) alors que le véhicule est allumé clé à la position «ON», le véhicule ne pourra fonctionner tant que le levier ne sera pas replacé à la position vers l'arrière et que le véhicule ne sera éteint puis allumé de nouveau.

### Module moteur/transmission

Le module moteur/transmission est composé du moteur et d'un essieu scellé à la transmission et au différentiel. Ce module fournit la puissance aux roues motrices de votre véhicule.

### Batteries

Les batteries emmagasinent l'énergie électrique de votre véhicule. Voir la section III. «Batteries et recharge» pour de plus amples informations au sujet de la jauge à batteries.

### Capteur de sauvegarde

Votre véhicule est équipé d'un capteur de recul automatique et d'une lumière de recul pour vous avertir des obstacles solides pouvant se trouver derrière vous. Lorsque le véhicule roule en sens inverse et qu'un obstacle solide, tel qu'un mur, est détecté, un signal sonore retentit pour vous avertir de la présence d'un objet détecté. Cette fonction peut être désactivée à l'aide du commutateur situé sur le module Capteur de sauvegarde à l'arrière de votre véhicule.



**ATTENTION!** Le capteur de recul ne doit pas remplacer le fait de regarder derrière vous avant et pendant que vous conduisez en sens inverse. Les capteurs peuvent ne pas détecter les objets en mouvement ou ceux qui ont de mauvaises propriétés de réflexion, tels que des personnes, des animaux domestiques ou des arbustes.

- Pour garantir un fonctionnement fiable, maintenez le capteur exempt de saleté, de boue et d'eau.
- Si exposé à de l'eau, laissez le capteur sécher avant de l'utiliser.
- Si les écrans du capteur sont recouverts de poussière, de débris ou d'eau, essuyez-les avec un chiffon sec avant de les utiliser.

## II. VOTRE VEHICULE

### Bouton du disjoncteur principal

Lorsque les batteries sont faibles et que la demande est excessive (charge lourde ou pente forte) le disjoncteur peut se déclencher pour éviter d'endommager les composantes électroniques et le moteur. Lorsque le disjoncteur se déclenche, tout le système électrique s'arrête.

Voir la figure 8.

- Le levier d'enclenchement bascule vers le bas lorsque le disjoncteur se déclenche.
- Attendez une minute avant d'essayer d'enclencher le circuit à nouveau.
- Poussez le levier de réenclenchement vers le haut jusqu'à ce que vous entendiez un déclic, ou pesez sur le bouton pour l'enfoncer et rétablir les circuits.
- Si le disjoncteur se déclenche à répétition, nous recommandons de charger vos batteries plus souvent et de faire tester vos batteries par votre détaillant autorisé.
- Si le disjoncteur principal saute à répétition, contactez votre détaillant pour obtenir de l'aide.

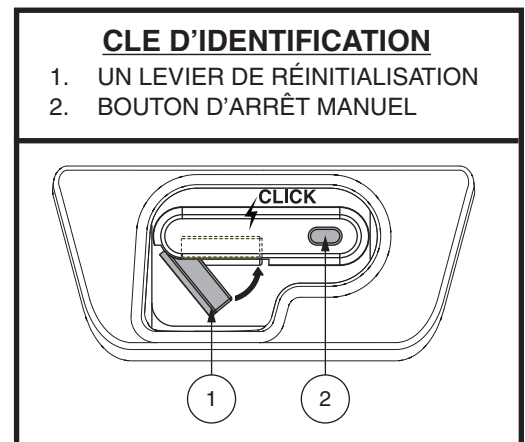


Figure 8. Bouton du disjoncteur principal

**NOTE:** Si vous préparez le véhicule pour le transport ou l'entretien, ou s'il existe une situation qui vous oblige à arrêter manuellement le système électrique, appuyez sur le bouton d'arrêt manuel sur le disjoncteur. Cela coupera l'alimentation au véhicule.

### ANCRAGE DU VÉHICULE

Le véhicule doit toujours être ancrés face à l'avant du véhicule. Fixez les quatre (4) courroies aux points d'ancrage désignés sur le véhicule. Voir la figure 9. Serrez-bien les courroies pour retirer le jeu excessif. N'attachez jamais le véhicule par ses composantes réglables ou mobiles tels que les accoudoirs, capots ou roues. Ces articles devraient être enlevés. Positionnez les points d'ancrage arrière des courroies directement derrière le véhicule. Les points d'ancrage avant sont disposés plus loin de chaque côté du véhicule afin d'augmenter la stabilité latérale.



**MISE EN GARDE!** Assurez-vous que le véhicule est bien attaché au véhicule pendant le transport routier. Un véhicule qui n'est pas ancré correctement pourrait devenir dangereux pour son occupant et pour les autres passagers du véhicule lors d'un arrêt brusque, dans un virage serré puisque le véhicule pourrait se renverser et se déplacer violemment en cas de collision.

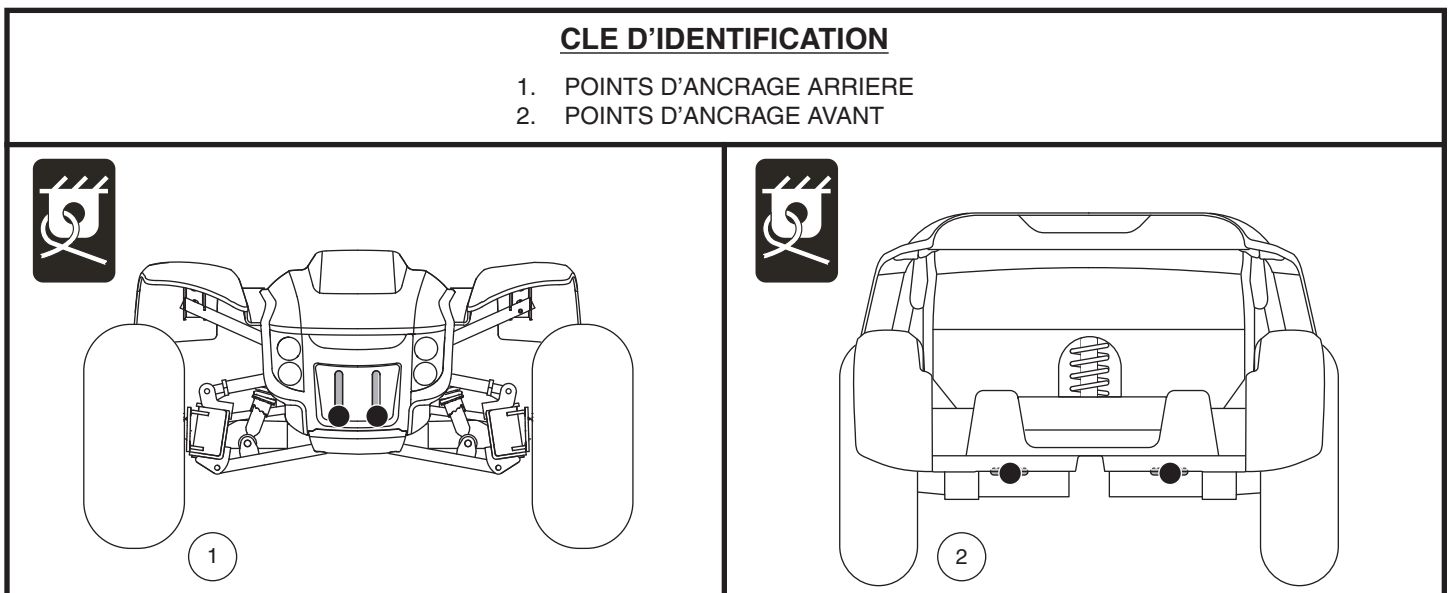


Figure 9. Points d'ancrage (identifié avec des points noirs)

# III. BATTERIES ET RECHARGE

## BATTERIES ET RECHARGE

Votre véhicule utilise deux batteries à décharge poussée, scellées et sans entretien de 12 volts. Elles sont rechargées par le chargeur externe.

- Chargez vos batteries au moins 8 à 14 heures avant la toute première utilisation de votre véhicule.
- Gardez vos batteries bien chargées pour éviter les complications.

## LECTURE DU VOLTAGE DES BATTERIES

La jauge à batteries située sur le tableau de bord indique la quantité d'énergie stockée dans les batteries. Pour assurer la plus grande précision, l'indicateur d'état de la batterie devrait être vérifié durant le fonctionnement de votre véhicule à pleine vitesse sur une surface sèche et plane. Voir la figure 10.

## RECHARGE DES BATTERIES



**INTERDIT!** Vous risquez de provoquer une situation dangereuse si vous enlevez la branche de mise à la terre du connecteur électrique sur le cordon d'alimentation du chargeur. Au besoin, installez un adaptateur à 3 branches sur la prise électrique à.



**INTERDIT!** N'utilisez jamais une rallonge de cordon électrique pour brancher le chargeur à batteries. Branchez-le directement dans une prise électrique standard.



**INTERDIT!** Ne laissez pas d'enfant jouer sans surveillance près d'un véhicule lorsque vous rechargez les batteries. Nous recommandons de ne pas recharger les batteries lorsque le véhicule est occupé.



**OBLIGATOIRE!** Lisez les instructions sur le fonctionnement du chargeur dans ce manuel et celles contenues dans le manuel fourni avec le chargeur avant de commencer la recharge des batteries.



**MISE EN GARDE!** Des vapeurs explosives peuvent être émises pendant la recharge des batteries. Ventilez adéquatement la pièce et n'approchez pas du chargeur avec des étincelles ou une flamme ouverte pendant la recharge des batteries.

**MISE EN GARDE!** Vous devez recharger les batteries avec le chargeur externe qui a été fourni avec votre véhicule. N'utilisez pas un chargeur de type automobile.

**MISE EN GARDE!** Inspectez le chargeur, les fils et les connecteurs avant chaque utilisation. Contactez votre détaillant autorisé si vous découvrez des dommages.



**MISE EN GARDE!** Ne tentez pas d'ouvrir le boîtier du chargeur. Si le chargeur ne semble pas fonctionner correctement, contactez votre détaillant autorisé.

**MISE EN GARDE!** Si le chargeur est équipé de fentes de refroidissement, ne tentez pas d'insérer d'objets dans ces fentes.

**MISE EN GARDE!** Soyez conscient que le boîtier du chargeur de batterie peut devenir chaud pendant la charge. Évitez tout contact cutané et ne placez pas dessus des surfaces susceptibles d'être affectées par la chaleur.



**MISE EN GARDE!** N'exposez pas votre chargeur aux intempéries sauf si celui-ci a été approuvé pour l'usage à l'extérieur. Si le chargeur est exposé aux intempéries, alors il doit avoir le temps de s'adapter aux conditions internes avant de l'utiliser à l'intérieur. Référez-vous au manuel fourni avec le chargeur pour de plus amples informations.

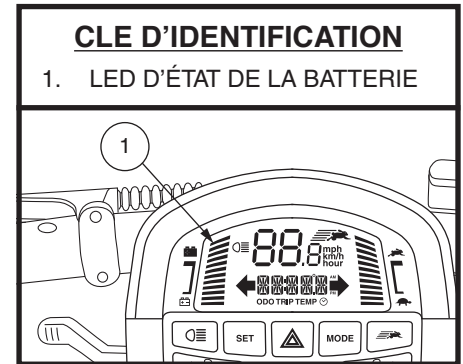


Figure 10. Jauge à batteries

# III. BATTERIES ET RECHARGE

Voici comment recharger vos batteries sécuritairement:

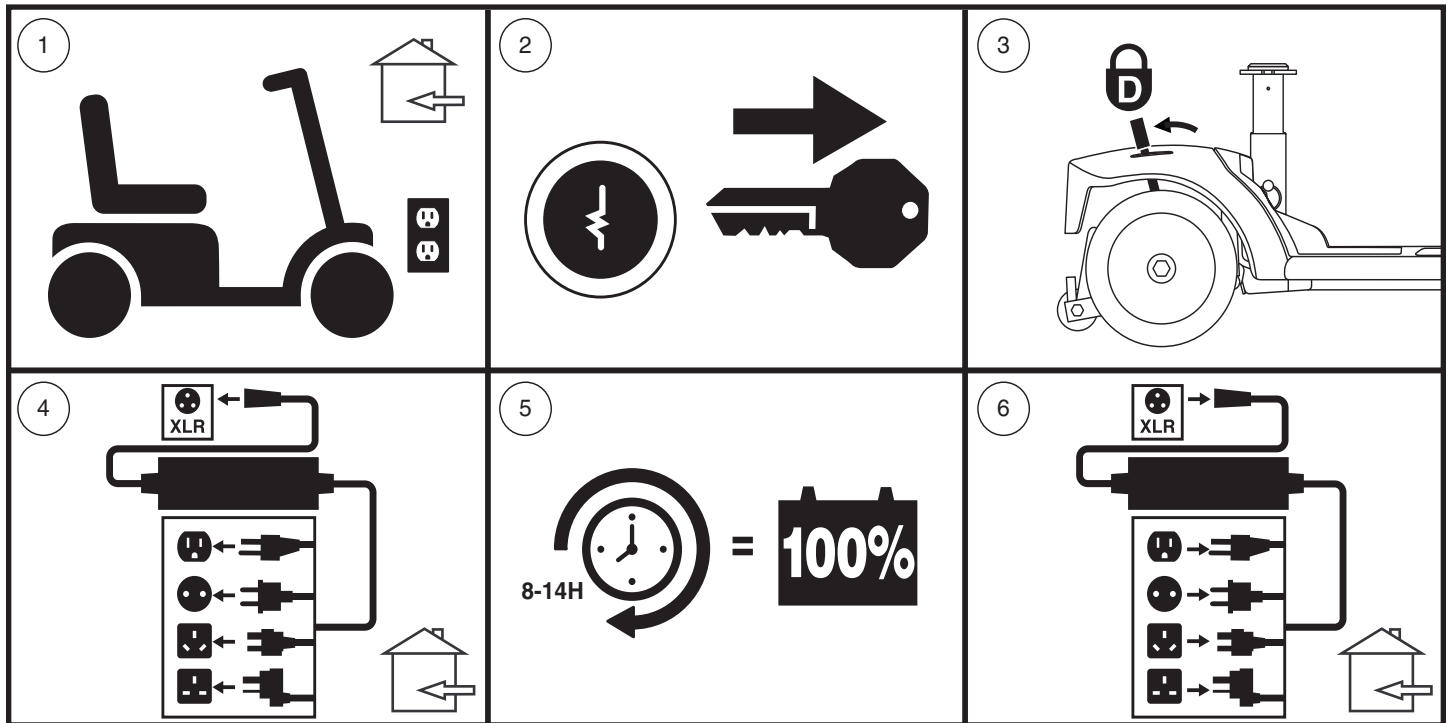


Figure 11. Recharge des batteries schéma des procédures



**MISE EN GARDE!** Les voyants lumineux sur le chargeur vous informent sur l'état actuel. Si dans les 24 heures, la DEL n'indique pas que la charge est terminée, débrancher le chargeur de la prise et contactez votre détaillant autorisé. Référez-vous au manuel fourni avec le chargeur pour les instructions complètes sur les voyants lumineux.

**NOTE:** Le véhicule possède un dispositif qui bloque le fonctionnement du véhicule et de sa jauge à batteries pendant la recharge de batteries.

## QUESTIONS POSEES FREQUEMMENT

### Comment fonctionne le chargeur?

Si les batteries sont faibles, le chargeur travaillera davantage. Au fur et à mesure que les batteries se rechargent, le chargeur ralentit le débit de recharge jusqu'à ce que les batteries soient complètement chargées. Lorsqu'elles le sont, le niveau d'intensité est presque à zéro. Les batteries seront alors maintenues chargées mais ne peuvent être surchargées. Reportez-vous au manuel fourni avec le chargeur de batterie pour des instructions de chargement

### Puis-je utiliser un autre chargeur?

Les chargeurs sont choisis en fonction de l'utilisation et sont bien adaptés au type, à la capacité et à la formule chimique des batteries utilisées. La façon la plus rapide et sûre de recharger les batteries de votre véhicule est à l'aide du chargeur d'origine fourni avec votre produit. Ne rechargez pas les batteries individuellement.

### Que faire si les batteries ne se rechargent pas?

- Assurez-vous que les câbles rouges (+) et noir (-) sont bien branchés aux bornes des batteries.
- Assurez-vous que les fils qui connectent les batteries au chargeur sont branchés correctement.
- Assurez-vous que le cordon d'alimentation du chargeur soit bien enfoncé dans le réceptacle et la prise murale.

# III. BATTERIES ET RECHARGE

## À quelle fréquence dois-je recharger mes batteries?

Deux facteurs influencent la nécessité de recharger les batteries:

- Une utilisation journalière.
- Une utilisation occasionnelle du véhicule.

Avec ces considérations à l'esprit, vous serez en mesure de déterminer à quelle fréquence et pendant combien de temps vous devez recharger les batteries de votre véhicule. Bien que le chargeur de batteries intégré ait été conçu de façon à ne jamais surcharger les batteries, plusieurs propriétaires hésitent à charger leurs batteries régulièrement. Si vous suivez les conseils décrits ci-dessous, vos batteries seront fiables et plus durables.

- Si vous utilisez votre véhicule toute la journée, rechargez vos batteries dès que vous avez fini de l'utiliser. Le chargeur possède un dispositif automatique qui ne surchargera pas vos batteries et votre véhicule sera prêt chaque matin. Après une journée d'utilisation, il est recommandé de recharger vos batteries pendant au moins 8 à 14 heures. Nous recommandons de charger les batteries pendant 4 heures supplémentaires après que le chargeur de la batterie indique que la charge est terminée.
- Si vous utilisez votre véhicule occasionnellement (une fois par semaine ou moins), il est recommandé de recharger vos batteries au moins une fois par semaine pendant au moins 24 heures.

**NOTE:** *Gardez vos batteries bien chargées et évitez de les décharger complètement. Reportez-vous au manuel fourni avec le chargeur de batterie pour des instructions de chargement. Nous recommandons de charger vos batteries pendant au moins 48 heures consécutives une fois par mois afin d'améliorer les performances et la vie de la batterie.*

## Comment obtenir une distance maximale avec mes batteries?

Les conditions de conduite ne sont pas toujours idéales ie: terrain ferme et plat, sans courbe et sans vent contraire. Souvent, nous faisons face à des pentes, des crevasses dans les trottoirs, du gravier, des courbes, etc. Ces facteurs affecteront la distance que vous pourrez parcourir avec votre véhicule. Voici quelques suggestions pour maximiser la distance parcourue avec une recharge de batteries.

- Avant de partir, assurez-vous que vos batteries sont complètement chargées.
- Maintenez la pression recommandée dans les pneus si votre véhicule en est équipé.
- Planifiez votre sortie de façon à éviter les pentes et les surfaces difficiles.
- Emportez le minimum de bagages.
- Essayez de maintenir une vitesse constante.
- Évitez d'arrêter et de repartir fréquemment.
- Nous recommandons de charger vos batteries pendant au moins 48 heures consécutives une fois par mois afin d'améliorer les performances et la vie de la batterie.
- Assurez-vous qu'elles les câbles soient branchées de façon sécuritaire.

## Que dois-je faire pour allonger la vie utile de mes batteries?

Les batteries à décharge poussée sont conçues pour fournir une performance supérieure plus longtemps que les batteries ordinaires. Gardez vos batteries pleinement chargées aussi souvent que possible. Des batteries trop déchargées, rechargées de façon non assidue, ou entreposées sans qu'elles ne soient pleinement chargées ne seront pas fiables, auront une piètre performance et de plus, dureront moins longtemps.

**NOTE:** *Pour prolonger la vie de la batterie, éteignez toujours le véhicule et retirez la clé lorsqu'il n'est pas utilisé.*

## Quel type de batteries devrais-je utiliser?

Nous recommandons les batteries à décharge poussée (deep cycle), sans entretien et scellées à l'usine ce qui élimine les risques de fuite. Les batteries de type AGM ou au gel scellées sont des batteries "à décharge poussée" offrant des performances similaires. N'utilisez pas de batteries conventionnelles à bouchons enlevables. Référez-vous au tableau des spécifications pour les dimensions des batteries selon les différents fabricants.



**MISE EN GARDE!** Les batteries contiennent des produits corrosifs. Utilisez seulement des batteries de type AGM ou au gel afin de réduire le risque de fuite ou d'explosion.

# III. BATTERIES ET RECHARGE

**NOTE:** Les batteries scellées n'ont pas besoin d'ajout de liquide. N'enlevez pas les bouchons.

## Pourquoi mes nouvelles batteries semblent-elles faibles?

Les batteries de type «à décharge poussée» sont très différentes des batteries d'automobiles, nickel/cadmium ou des autres batteries de type courant. Entre autres, les composantes chimiques utilisées dans les batteries à décharge poussée augmentent leur puissance et permettent de les recharger rapidement.

En collaboration avec son fournisseur de batteries, nous équipe ses véhicules avec les meilleures batteries disponibles. Elles sont chargées à bloc avant la livraison, cependant le transport les expose à des conditions climatiques parfois extrêmes qui peuvent affecter leur performance. En effet, la chaleur et le froid réduisent la charge des batteries et augmentent le temps nécessaire pour les recharger.

Une batterie gelée peut prendre quelques jours pour se stabiliser à la température ambiante. De plus, il est important de se rappeler que les batteries atteindront leur performance maximale après quelques cycles d'utilisation et de recharge.

## Voici quelques conseils pour bien roder vos batteries:

1. Chargez complètement vos batteries avant d'utiliser votre appareil pour la première fois. Elles seront alors à 88% de leur capacité.
2. Utilisez tout d'abord votre véhicule autour de la maison de façon à vous habituer aux commandes et en apprécier le confort. Ceci permettra de roder vos batteries.
3. Rechargez vos batteries à nouveau pendant environ au moins 8 à 14 heures. Utilisez votre véhicule de façon à continuer le rodage. Vos batteries seront alors à 90% de leur capacité.
4. Utilisez de nouveau votre véhicule et rechargez vos batteries.
5. Après quatre ou cinq cycles de décharge et recharge, vos batteries atteindront 100% de leur capacité et dureront plusieurs années grâce aux soins que vous leur aurez apportés.

## Au sujet des transports publics?

Les batteries scellées (AGM) et les batteries au gel ont été conçues pour être utilisées dans les véhicules et des véhicules semblables. Ces batteries sont la Federal Aviation Administration (FAA) a approuvé (États-Unis uniquement), permettant le transport en sécurité sur transporteurs aériens, les autobus et les trains car les risques de fuite ou de renversement sont inexistantes. Nous vous suggérons quand même de communiquer avec la compagnie de transport pour connaître leurs exigences.

## Comment remplacer une batterie dans mon véhicule?



**OBLIGATOIRE!** Les batteries, les bornes et les accessoires contiennent du plomb. Portez des lunettes et des gants pour les manipuler et lavez vos mains après les avoir manipulées.



**INTERDIT!** Utilisez toujours des batteries identiques, du même modèle, même capacité ampère/heure (Ah). Référez-vous dans ce les spécifications du produit et dans le manuel du chargeur pour connaître le type et modèle recommandé.

**MISE EN GARDE!** N'utilisez pas une vieille batterie en paire avec une neuve. Il faut toujours remplacer tous les batteries à la fois.



**MISE EN GARDE!** Contactez votre détaillant autorisé si vous avez des questions au sujet des batteries de votre véhicule.

**MISE EN GARDE!** Ne pas procéder au remplacement lorsque quelqu'un y prend place.

**MISE EN GARDE!** Le remplacement des batteries de votre véhicule doit être fait par votre détaillant autorisé ou un technicien qualifié.



**INTERDIT!** Tenez les objets et outils métallique loin des bornes des batteries. Un contact avec un outil en métal peut provoquer un choc électrique.



# III. BATTERIES ET RECHARGE

Vous aurez besoin des outils suivants pour remplacer les batteries:

- Ensemble de clés à rochet métriques/standards
- Clé ajustable



**MISE EN GARDE! Ne tentez pas de soulever plus que vous ne le pouvez. Demandez de l'aide au besoin pour l'assemblage ou le démontage de votre véhicule.**

**MISE EN GARDE! Ne tirez pas directement sur les câbles pour les détacher du véhicule. Il faut toujours prendre le connecteur pour détacher le câble afin d'éviter les dommages.**

**Pour remplacer une batterie dans votre véhicule:**

1. Enlevez le siège en levant bien droit et hors du véhicule. Si vous rencontrez des difficultés lors du retrait du siège, désengagez-vous du pivot du siège et faites-le pivoter en avant et en arrière tout en soulevant.
2. Retirez le capot arrière en le soulevant et en le soulevant du véhicule. Le capot est fixé au véhicule avec des attaches réutilisables et deux vis à oreilles. **Voir la figure 12.**
3. Retirez le carénage de la batterie en retirant les quatre (4) vis à molette qui le fixent au châssis du véhicule, puis en le soulevant bien droit et hors du véhicule. **Voir la figure 12.**
4. Détachez les courroies des batteries.
5. Débranchez les câbles des bornes des batteries en soulevant la couvercles des bornes et en desserrant le boulon et l'écrou sur chaque borne. **Voir la figure 14.**
6. Retirez les vieilles batteries des puits à batteries.
7. Placez une nouvelle batterie dans chaque puits à batterie conformément au schéma de câblage de la batterie comme indiqué sur la **figure 15.**

**NOTE: Utilisez des sangles de fixation afin de sécuriser les batteries. Veuillez-vous référer à la figures 13 et 16 pour les procédures d'installation des sangles de la batterie.**

8. Branchez le câble rouge à la borne positive (+) sur chaque batterie.
9. Branchez le câble noir à la borne négative (-) sur chaque batterie.
10. Reposition the terminal boots over the battery terminals.
11. Attachez les batteries avec leur courroie d'ancrage.
12. Réinstallez le capot batterie, le capot arriere et le siège.

**NOTE: Si vous découvrez qu'une de vos batteries est endommagée ou fissurée, placez-la immédiatement dans un sac en plastique et contactez votre détaillant pour obtenir les instructions pour en disposer de manière sécuritaire. Celui-ci vous informera sur le recyclage des batteries et sur la procédure à suivre.**

## CLE D'IDENTIFICATION

1. VIS MOLETEE
2. CAPOT ARRIERE
3. CAPOT A BATTERIES

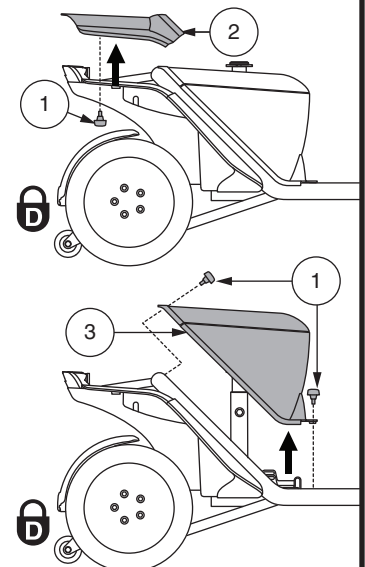


Figure 12. Retirer/Installer le protecteur de la batterie

# III. BATTERIES ET RECHARGE

## CLE D'IDENTIFICATION

1. DISJONCTEUR DU CIRCUIT PRINCIPAL
2. CONNECTEURS A BATTERIES SOUS LES BOTTES
3. SANGLE DE FIXATION DE LA BATTERIE

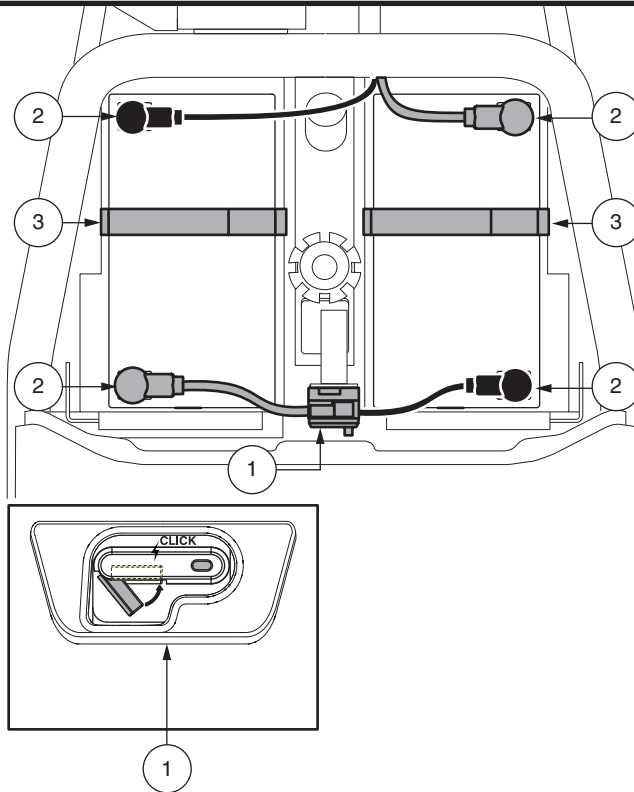


Figure 13. Enlèvement/installation des batteries et connexions

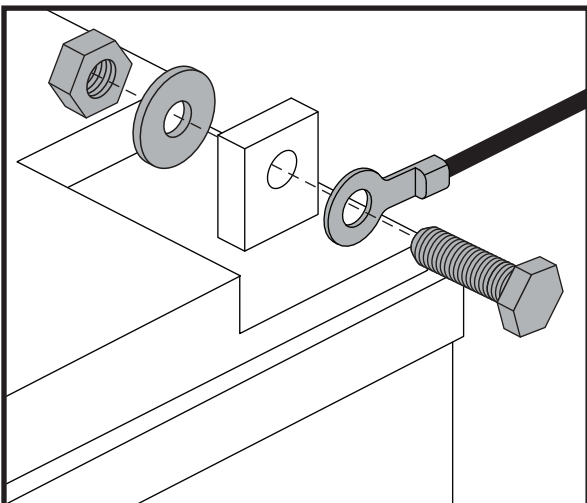


Figure 14. Batterie Borne Matériel

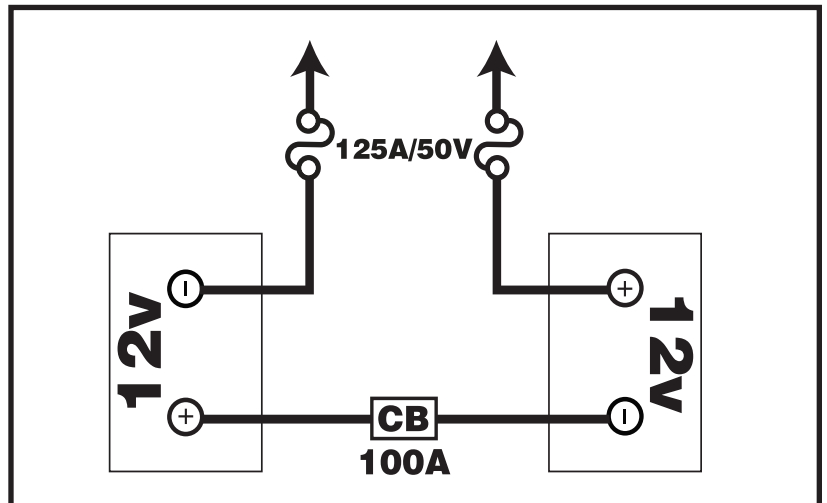


Figure 15. Orientation Des Fils Des Batteries



# III. BATTERIES ET RECHARGE

## Sécurisation de la batterie et routage des sangles

1. Sécuriser les batteries dans les puits à batteries en acheminant les sangles de batterie fournies par les fentes du puits de la batterie comme indiqué.
2. S'assurer que la sangle courte passe au-dessus de la sangle longue.

**NOTE:** Avant de fixer les deux sangles, s'assurer que l'anneau en D est positionné comme indiqué ici. L'anneau en D doit être placé à 2.54 cm (1 po) du, mais ne doit jamais toucher le puits de la batterie.

3. Tout excès de cerclage doit être placé faisant face à l'arrière ou au côté du mât du siège du véhicule.



**MISE EN GARDE!** Les sangles de la batterie ne doivent jamais être placées sous la batterie.

## CLE D'IDENTIFICATION

1. FIXATION REUTILISABLE
2. BORNES DE BATTERIE
3. SANGLE COURTE
4. ANNEAU EN D

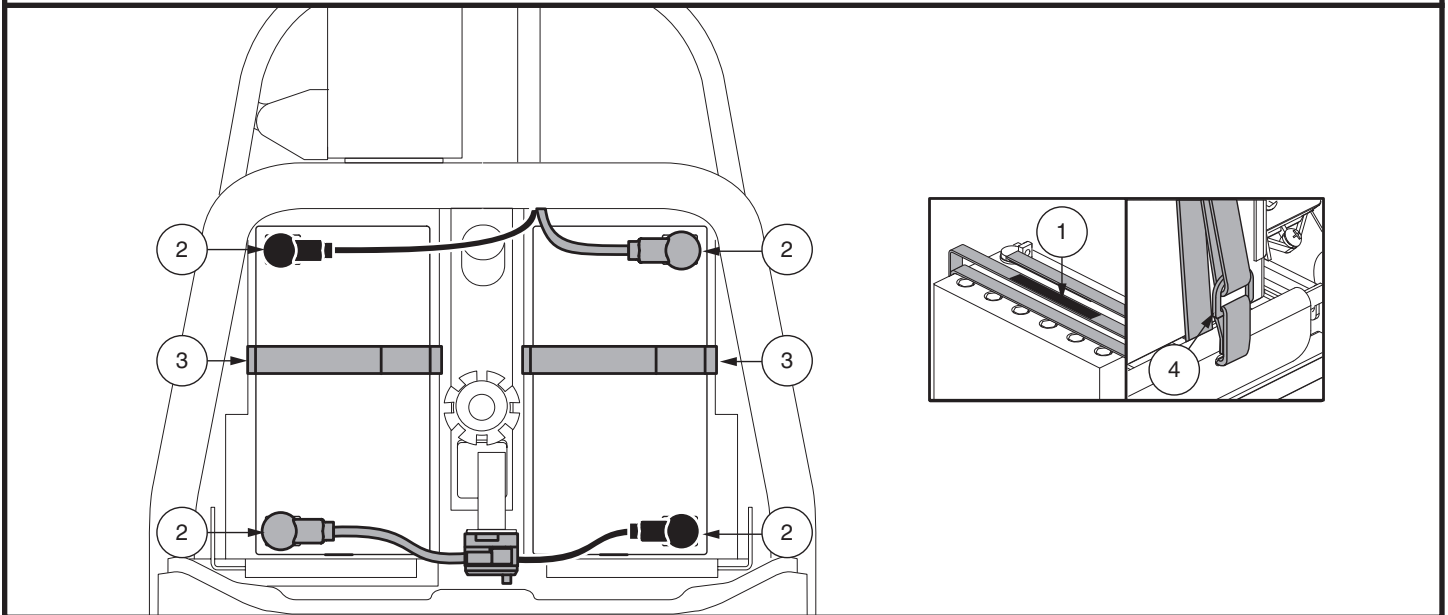


Figure 16. Sangles de la batterie

# IV. FONCTIONNEMENT

## AVANT DE PRENDRE PLACE SUR VOTRE VÉHICULE

- Avez-vous rechargé vos batteries à fond? Voir la section III. «Batteries et recharge».
- Le véhicule est-il embrayé (levier tiré vers l'arrière). Ne jamais laisser le levier en position poussée vers l'avant sauf pour le déplacer manuellement.



**MISE EN GARDE! Nous recommandons de porter en permanence un casque de sécurité approuvé par le DOT lors de l'utilisation de votre véhicule personnel. Comme pour tout type de véhicule, il est de la responsabilité de l'utilisateur de contribuer à sa propre sécurité en respectant les lois fédérales, nationales et locales applicables, ainsi que les lois spécifiquement établies pour l'utilisation de véhicules personnels. Ne pas le faire peut entraîner des blessures.**

## S'INSTALLER SUR SON VÉHICULE

1. Assurez-vous que la clé n'est pas sur le contact.



**MISE EN GARDE! Ne jamais monter sur votre véhicule sans d'abord retirer la clé du contact. Ceci évitera un contact accidentel avec un des leviers d'accélérateur.**

2. Tenez-vous debout à côté de votre véhicule.
3. Débloquez le siège et faites-le pivoter jusqu'à ce qu'il soit face à vous.
4. Assurez-vous qu'il est bien bloqué en place.
5. Asseyez-vous confortablement sur le siège.
6. Débloquez le siège et pivotez pour faire face à l'avant du véhicule.
7. Assurez-vous qu'il est bien bloqué en place.
8. Vérifiez que vos pieds soient bien posés sur le plancher du véhicule.

## VERIFICATIONS AVANT DEPART

- Le siège est-il à la bonne hauteur? Voir la section V. «Réglages confort».
- Le siège est-il bloqué en position?
- Avez-vous réglé et verrouillé l'angle du mât du guidon pour être confortablement installé? Voir la section V. «Réglages confort».
- La clé est-elle complètement enfoncée dans le contact et le véhicule est-il allumé?
- Le klaxon fonctionne-t-il?
- Avant de partir, assurez-vous qu'il n'y a personne ni aucun obstacle devant vous.
- Avez-vous choisi votre parcours afin d'éviter les pentes et les surfaces difficiles?

## FONCTIONNEMENT DE VOTRE VÉHICULE

**MISE EN GARDE! Les situations suivantes peuvent affecter la stabilité et/ou la conduite de votre véhicule:**

- Tenir ou attacher la laisse de votre animal de compagnie.
- Prendre un passager (humain ou animal).
- Suspendre tout objet au guidon.
- Remorqué ou être poussé par un autre véhicule.



**MISE EN GARDE! Risque de basculement! Évitez les manoeuvres à haute vitesse. Nous recommandons de régler le bouton de vitesse au minimum jusqu'à ce que vous soyez devenu familier avec les commandes et le fonctionnement de votre véhicule.**

**MISE EN GARDE! Les distances de freinage du véhicule sont plus grandes sur un plan incliné qu'à l'horizontale.**

**MISE EN GARDE! Gardez vos deux mains sur le guidon et les deux pieds sur le plancher en tout temps afin de conserver un meilleur contrôle de votre véhicule.**

- Réglez le bouton de vitesse au niveau désiré.
- Pesez ou tirez sur le levier d'accélérateur approprié.
- Les freins électriques se relâcheront automatiquement et votre véhicule avancera à la vitesse sélectionnée.

## IV. FONCTIONNEMENT

- Tirez le guidon vers la gauche pour avancer vers la gauche.
- Tirez le guidon vers la droite pour aller vers la droite.
- Placez le guidon au centre pour avancer en droite ligne.
- Relâchez l'accélérateur pour ralentir et vous arrêter complètement. Les freins électromagnétiques de stationnement s'engageront automatiquement dès que le véhicule sera arrêté.

**NOTE:** *La vitesse arrière de votre véhicule est plus lente que la vitesse avant que vous réglez avec le bouton de vitesse.*

### POUR DESCENDRE DE VOTRE VÉHICULE

1. Arrêtez votre véhicule complètement.
2. Retirez la clé du contact.



**MISE EN GARDE!** Ne jamais monter sur votre véhicule sans d'abord retirer la clé du contact. Ceci évitera un contact accidentel avec un des leviers d'accélérateur.

3. Débloquez le pivot du siège et faites-le tourner jusqu'à ce que vous soyez face au côté du véhicule.
4. Assurez-vous que le siège est verrouillé.
5. Descendez prudemment et tenez-vous debout près de votre véhicule.
6. Vous pouvez laisser le siège face à vous, prêt pour votre prochaine sortie.

### DISPOSITIF SAUVE ENERGIE

Votre véhicule est équipé d'un dispositif conçu pour préserver l'énergie des batteries en coupant le contact automatiquement. Si vous laissez le contact allumé par inadvertance et que vous ne faites pas fonctionner votre véhicule pendant les 20 prochaines minutes, le dispositif coupe l'alimentation au contrôleur du véhicule automatiquement. Cependant les feux et le phare avant resteront allumés.

**Si le courant a été coupé par le dispositif automatique, suivez les étapes suivantes pour rétablir le fonctionnement:**

1. Retirez la clé du contact.
2. Insérez la clé dans le contact et tournez vers la position «on».

# V. REGLAGES CONFORT

## REGLAGE DE L'INCLINAISON DU GUIDON

**MISE EN GARDE!** Retirez la clé du contact avant de changer les réglages du guidon ou ceux du siège. Ne tentez jamais de régler le siège ou le guidon lorsque le véhicule est en mouvement.



**MISE EN GARDE!** Avant d'utiliser le véhicule, pousser et tirer sur le guidon pour assurer que le mécanisme de réglage de l'angle est sécurisé. Inspecter le bouton de réglage du guidon et le mécanisme de réglage de l'angle pour assurer qu'ils sont pleinement engagés. S'il y a du mouvement dans le guidon, assurez-vous que le bouton de réglage de la barre est bien serré.

Votre véhicule est équipé d'un timon pivotant réglable.

1. Appuyez sur le levier de réglage du guidon. Voir la figure 17
2. Déplacez la guidon dans une position confortable.
3. Relâchez le levier de réglage de du guidon.

**NOTE:** Le siège doit avoir été retiré afin de pouvoir abaisser le guidon jusqu'au niveau du plancher du véhicule. Voir la section VI. "Montage et Démontage".

**NOTE:** Faites pivoter les accoudoirs vers le haut pour vous aider à monter dans votre voiture

## MIROIR

**Pour installer le miroir (voir la figure 18):**

1. Déterminez de quel côté vous installerez le miroir et retirez le bouchon sur la poignée du guidon.
2. Insérez la partie filetée du miroir et faites-le pivoter dans le sens des aiguilles d'une montre jusqu'à ce qu'il soit bien serré.
3. Au besoin, tournez l'écrou dans le sens des aiguilles d'une montre pour le bloquer en place.

**Pour ajuster le miroir:**

1. Prenez la position de conduite avant sur le siège.
2. Ajustez le miroir afin d'obtenir une bonne vision arrière.

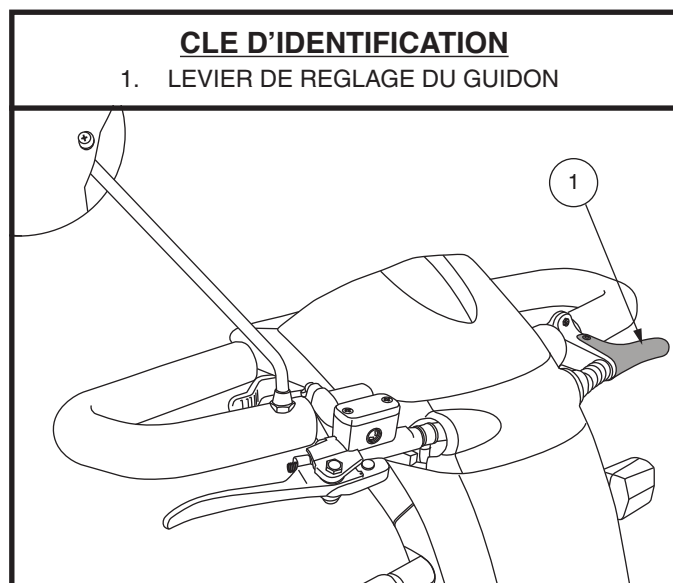


Figure 17. Levier de Réglage de Guidon

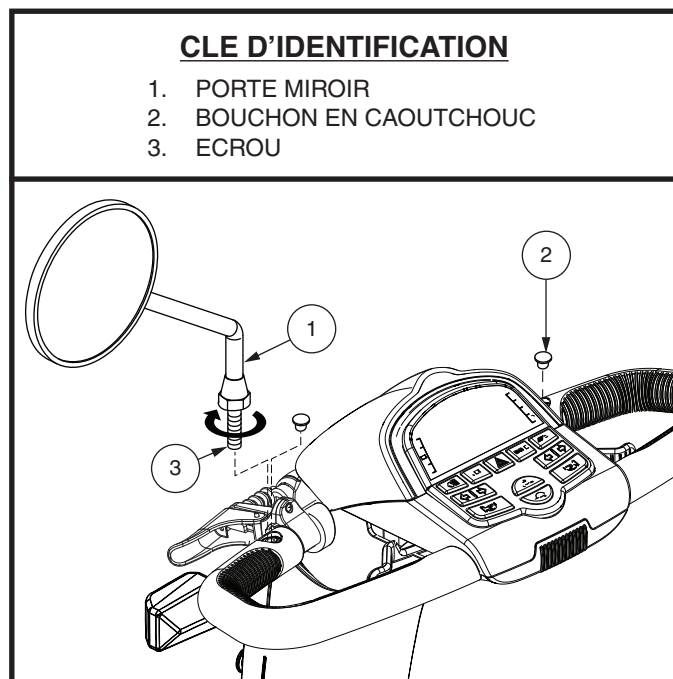


Figure 18. Installation et positionnement du miroir

# V. REGLAGES CONFORT

## REGLAGE DU DOSSIER



**MISE EN GARDE! N'utilisez pas votre véhicule lorsque le dossier est en position inclinée.**

**MISE EN GARDE! Gardez votre dos en contact avec le dossier lorsque vous faites son réglage.**

Si votre véhicule est équipé d'un siège à dossier inclinable, vous pouvez changer l'inclinaison du dossier avec le levier de réglage du dossier. **Voir la figure 19.**

1. Alors que votre dos est bien en contact avec le dossier, tirez sur le levier et penchez votre torse vers l'avant ou vers l'arrière pour régler l'angle du dossier.
2. Relâchez le levier dès que le dossier atteint la position de conduite désirée.

## ROTATION DU SIEGE

Le levier de rotation est situé sur le côté droit de la base du siège et le bloque dans plusieurs positions.

1. Tirer vers le haut l'avant le levier de rotation du siège afin de dégager le siège. **Voir la figure 19.**
2. Faites-le pivoter vers la direction désirée.
3. Relâchez le levier pour le bloquer en place.

## REGLAGE AVANT/ARRIERE DU DOSSIER

Vous pouvez déplacer le siège vers l'avant ou vers l'arrière pour régler la distance entre le siège et le guidon.

1. Déplacez le levier coulissant du siège (situé sur le côté inférieur gauche du siège) vers l'extérieur. **Voir la figure 19.**
2. Tout en maintenant le levier vers l'extérieur, faites glisser le siège vers l'avant ou vers l'arrière.
3. Relâchez le levier lorsque le siège atteint la position désirée.

## REGLAGE DE L'INCLINAISON DES ACCOUDOIRS

Élevez ou abaissez l'inclinaison des accoudoirs en tournant la réglage sous l'accoudoir. **Voir la figure 19.** Tournez le bouton de réglage de l'accoudoir vers la gauche pour abaisser l'angle de l'accoudoir ou vers la droite pour le relever.

**NOTE:** Les accoudoirs peuvent être relevés à la verticale pour faciliter les transferts.

## SUPPORT D'ACCESSOIRE

Le support d'accessoire monté à l'arrière vous permet d'attacher un accessoire personnel comme un panier, support pour marchette ou réservoir d'oxygène à l'arrière de votre véhicule. Utiliser la goupille de verrouillage afin de bien fixer votre article au support d'accessoire. **Voir la figure 19.** Consultez votre détaillant autorisé pour plus de détails.

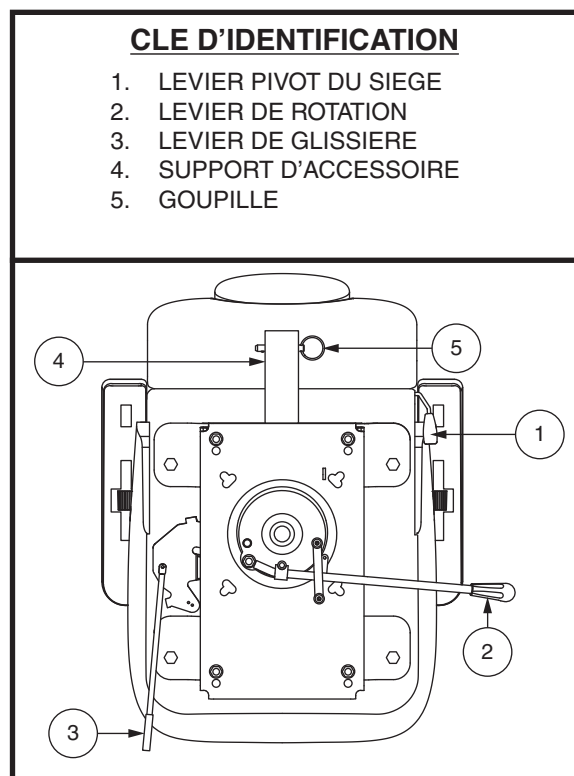


Figure 19. Réglage du siège

## V. REGLAGES CONFORT

### REGLAGE HAUTEUR DU SIÈGE

Le siège possède plusieurs niveaux de réglage de hauteur différents. **Voir la figure 20.**

1. Retirez le siège et le capot de votre véhicule.
2. Retirez le boulon de réglage de la hauteur.
3. Élevez ou descendez le siège vers le niveau désiré.
4. Tenez le siège et alignez les trous dans le mât et dans la base du mât.
5. Insérez le boulon de réglage au travers des trous du mât et de la base du mât.
6. Réinstallez l'écrou et resserrez bien.
7. Réinstallez le capot et le siège.

### CEINTURE DE POSITIONNEMENT (FACULTATIF)

Votre véhicule peut être équipé d'une ceinture de positionnement de type automobile réglable pour votre confort. La ceinture de positionnement est conçue pour supporter et empêcher le conducteur de glisser ou d'avancer sur le siège. La ceinture de positionnement n'est pas une ceinture de sécurité.

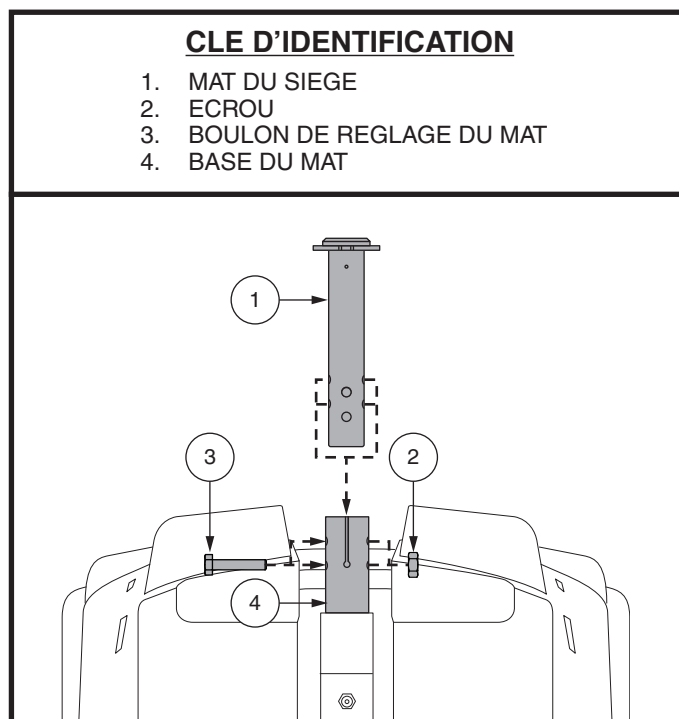


Figure 20. Réglage de la hauteur du siège

**MISE EN GARDE!** La ceinture de positionnement n'est pas conçue pour remplacer la ceinture de sécurité dans un véhicule moteur. De plus, le véhicule n'est pas conçu pour être occupé lorsque celui-ci est à bord d'un véhicule routier. Toute personne à bord d'un véhicule moteur doit porter la ceinture de sécurité du véhicule approuvé par le fabricant.



**MISE EN GARDE!** La ceinture de positionnement doit être sécurisée à tout moment. Ne laissez jamais la ceinture de positionnement suspendue en l'air ou traîner sur le sol car elle peut s'emmêler.

**Pour installer la ceinture de positionnement (si requis):**

1. Retirez le siège du véhicule.
2. Placez le siège à l'envers pour faire face à sa base. **Voir la figure 21.**
3. Retirez les deux boulons aux extrémités de la courroie de montage du siège.
4. Insérez les boulons dans la ceinture (bout approprié) et au travers de la courroie de montage de chaque côté du siège.
5. Resserrez les boulons.

## V. REGLAGES CONFORT

### Ceinture de positionnement de type attache en métal

#### Pour régler le confort de la ceinture de positionnement:

1. Insérez l'onglet de la ceinture côté droit dans la boucle de ceinture côté gauche jusqu'à ce que vous entendiez le «clic». **Voir la figure 21.**
2. Tirez sur la courroie du côté droit jusqu'à ce que la tension soit adéquate mais pas trop serrée.

#### Pour détacher la ceinture de positionnement:

1. Pesez sur le bouton de détente du mécanisme sur le boîtier de plastique.

**OBLIGATOIRE!** Assurez-vous que la ceinture de positionnement soit en place et bien réglée pour votre confort.



**OBLIGATOIRE!** Avant chaque utilisation du véhicule, inspectez la courroie de positionnement pour pièces détachées ou dommages, y compris les déchirures, zones usées, la quincaillerie pliée ou mécanismes de verrouillage endommagés, la saleté ou débris. Si vous découvrez un problème, contactez votre détaillant autorisé pour la réparation.

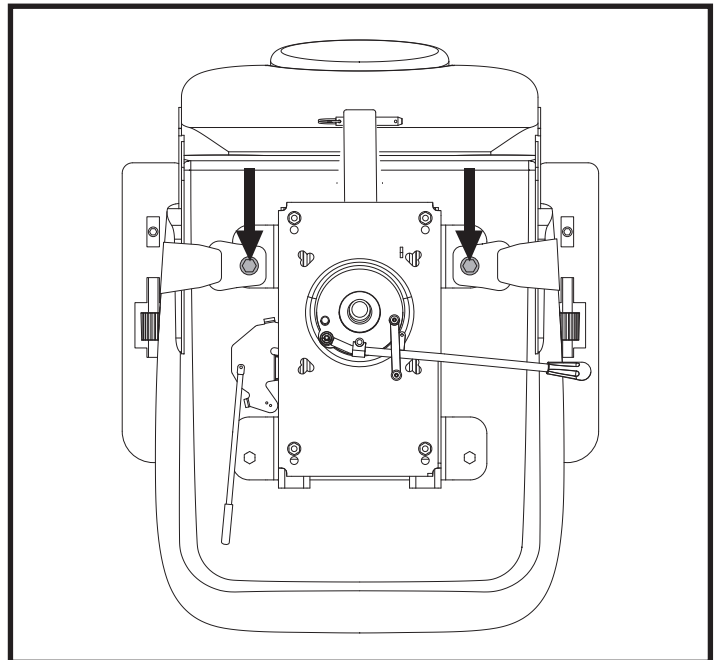


Figure 21. Boulons du ceinture de positionnement

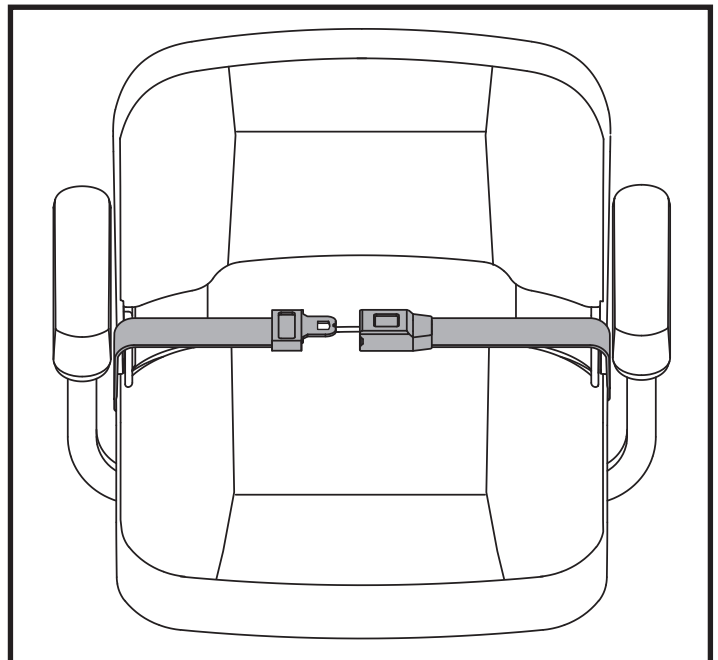


Figure 22. Ceinture de positionnement—De type attache in métal

# VI. MONTAGE ET DEMONTAGE

## DEMONTAGE

Le véhicule est démontable en plusieurs sections: le siège, la base du véhicule, les batteries et la capot à batteries. **Voir la figure 23.** Aucun outil n'est requis pour assembler ou démonter le véhicule cependant gardez en mémoire que les pièces démontées occuperont plus d'espace de plancher que le véhicule complètement assemblé. Toujours procéder à l'assemblage ou au démontage de votre véhicule sur une surface sèche et à niveau. Assurez-vous d'avoir environ 1.5 mètre (5 pieds) de dégagement dans toutes les directions. Gardez en mémoire que certaines composantes du véhicule sont lourdes et qu'il vous faudra possiblement de l'aide pour les manipuler.



**MISE EN GARDE! Ne tentez pas de soulever plus que vous ne le pouvez. Demandez de l'aide au besoin pour l'assemblage ou le démontage de votre véhicule.**

**MISE EN GARDE! Ne soulevez pas le siège ou véhicule par les accoudoirs. Ils peuvent pivoter et vous faire perdre le contrôle.**

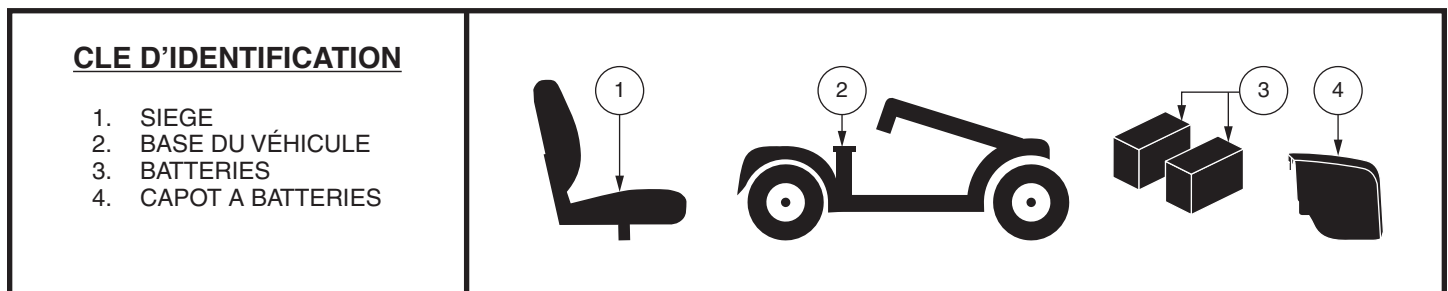


Figure 23. Démontage du véhicule

## LES PROCÉDURES DE DÉMONTAGE

1. Retirez le siège en le soulevant bien droit à la verticale. Si le siège résiste et ne s'enlève pas facilement, pesez sur le levier de pivot du siège pour le bouger de gauche à droite afin de soulever et le retirer le siège.
2. Retirez le capot à batteries du véhicule. **Voir la figure 12.**
3. Détachez les courroies d'ancrage des batteries.
4. Débranchez les câbles des bornes des batteries en soulevant la couvercles des bornes et en desserrant le boulon et l'écrou sur chaque borne. **Voir la figures 13 et 14.**
5. Retirez les batteries des puits à batteries.

## MONTAGE

1. Réinstallez les batteries dans les puits à batteries.
2. Branchez les câbles sur les batteries. **Voir la figures 13 et 14.**
3. Ancrez les batteries avec leurs courroies.
4. Réinstallez le capot à batteries.
5. Réinstallez le siège et faites le pivoter pour le bloquer en place.



## VII. PROBLEMES ET SOLUTIONS

Tout appareil électronique nécessite un entretien régulier. Souvent, lorsque des problèmes surviennent, le gros bon sens règle la plupart d'entre eux. De plus, plusieurs problèmes sont causés par des batteries défectueuses ou insuffisamment chargées.

### CODES DES PROBLEMES

Les codes d'erreur de diagnostic de votre véhicule sont conçus pour vous aider à effectuer le dépannage de base rapidement et facilement. Un code d'erreur de diagnostic sera communiqué dans le cas où l'une des conditions énumérées ci-dessous se développe. En fonction de la source de l'erreur, votre véhicule communiquera par l'une des méthodes de codage suivantes:

1. Un code de diagnostic et un message d'erreur seront affichés sur votre écran LCD (voir figure 24), **OU**
2. Un code sonore identifiera la condition, mettra en pause, puis répétera le code sonore. Le code sonore continuera de vous alerter de cette manière jusqu'à ce que le véhicule soit éteint.

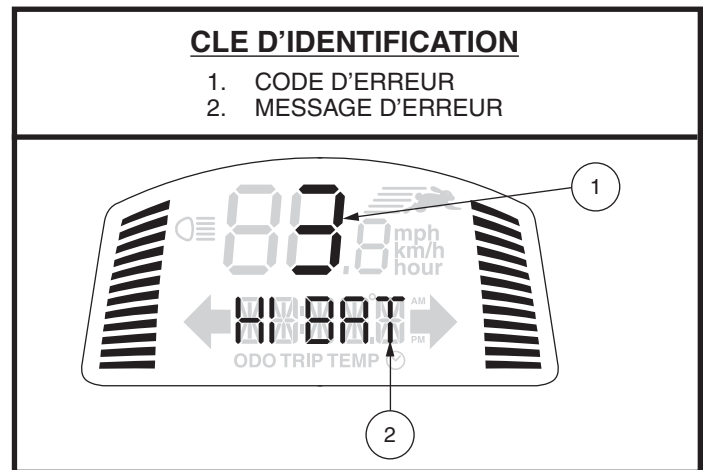


Figure 24. Affichage du code d'erreur

**NOTE:** Votre véhicule ne fonctionnera pas tant que la condition qui crée ce code n'est pas résolue et que votre véhicule a été éteint puis rallumé.

CODE	PROBLEMES	SOLUTION	MESSAGE D'ERREUR
2	Basse tension, les batteries doivent être immédiatement rechargées	Rechargez les batteries dès que possible.	BV   DE
3	Surtension	Débranchez le chargeur, coupez le contact et rétablissez-le.	HTENS
4	Surintensité	Coupez le contact pendant quelques minutes puis, rétablissez-le.	HCOUR
5	Défaillance du frein de stationnement	Coupez le contact (retirez la clé) poussez le levier d'embrayage vers l'arrière (embayé) et remettez le contact.	FREIN
6	Levier d'accélérateur n'est pas en position centrée lorsque lors de l'allumage	Remplacez le levier au centre, coupez le contact et rétablissez-le.	GAZMA
7	Levier d'accélérateur cassé ou défaillance du levier d'accélérateur	Contactez votre détaillant autorisé pour obtenir de l'aide.	GAZMA
8	Défaillance du moteur	Contactez votre détaillant autorisé pour obtenir de l'aide.	MOHS
9	Autre défaillance	Contactez votre détaillant autorisé pour obtenir de l'aide.	AUTRE

Figure 25. Modèles avec panneau de commande LCD

## VII. PROBLEMES ET SOLUTIONS

### **Que faire si le véhicule semble complètement «mort?»**

- Assurez-vous que la clé de contact est bien insérée à fond.
- Vérifiez que les batteries soient pleinement chargées.
- Pesez sur le bouton du disjoncteur principal. Voir la section II. «Votre Véhicule».
- Vérifiez la solidité des connexions des câbles de batteries et le câble des sections.
- Assurez-vous que le dispositif sauve énergie n'est pas activé. Voir la section IV. «Fonctionnement».

### **Que faire si le véhicule refuse de bouger lorsque j'appuis sur les accélérateurs?**

- Lorsque le levier d'embrayage est en position poussée vers l'avant, les freins sont relâchés et le courant est complètement coupé.
- Poussez le levier d'embrayage vers l'arrière, coupez le contact du véhicule puis remettez le contact pour rétablir le fonctionnement normal.

### **Que faire si le disjoncteur saute à répétition?**

- Si le disjoncteur principal saute continuellement, contactez votre détaillant autorisé.
- Rechargez vos batteries plus souvent. Voir la section III. «Batteries et recharge».
- Si le problème persiste, faites vérifier vos batteries par votre détaillant autorisé.
- Vous pouvez également tester vos batteries vous-même. Vous trouverez un appareil de test chez un détaillant de pièces automobiles. Suivez les instructions fournies avec l'appareil.
- Voyez la section III. «Batteries et recharge» ou la «Specifications de Produit» pour les informations concernant les batteries de votre véhicule.

### **Que faire si l'aiguille de la jauge à batteries plonge et que le moteur hésite lorsque j'appuis sur l'accélérateur de mon véhicule?**

- Rechargez complètement vos batteries. Voir la section III. «Batteries et recharge».
- Faites tester vos batteries par votre détaillant autorisé.
- Ou référez-vous aux instructions ci-haut pour tester vos batteries vous-même.

Si vous rencontrez des problèmes que vous n'arrivez pas à résoudre vous-même, contactez votre détaillant autorisé pour obtenir des informations ou du service.

## VIII. SOINS ET ENTRETIEN

Votre véhicule demande un minimum de soins. Si vous croyez ne pas posséder les connaissances et habiletés pour exécuter les consignes suivantes, vous pouvez les faire exécuter par votre détaillant autorisé. Les points suivants demandent un entretien périodique.

### PRESSIION DES PNEUS—PNEUS GONFLABLES

- Si votre véhicule est équipé de pneus gonflables, maintenez en tout temps la pression d'air psi/bar/kPa indiquée dans chaque pneu.



**MISE EN GARDE! Il est extrêmement important de maintenir en tout temps la pression d'air indiquée en psi/bar/kPa sur chaque pneu. Ne pas surgonfler ou sousgonfler les pneus sous peine de provoquer une perte de contrôle ou l'éclatement du pneu. Un pneu qui n'est pas gonflé en tout temps selon la pression psi/bar/kPa indiqué sur son flanc peut s'endommager ou endommager la jante de roue.**

- Inspectez régulièrement les pneus pour détecter les signes du dommage ou d'usure.

### SURFACES EXTERNES

Les pare-chocs et garnitures peuvent bénéficier d'une couche occasionnelle de protecteur à caoutchouc.



**MISE EN GARDE! Ne jamais appliquer de protecteur à caoutchouc sur la bande de roulement des pneus ou sur le siège de vinyle au risque de les rendre très glissants.**

### NETTOYAGE ET DESINFECTIION

- Utilisez un linge humide sans agent abrasif pour nettoyer les surfaces de métal ou de plastique de votre véhicule. Évitez les produits abrasifs qui abimeront les surfaces de votre véhicule.
- Au besoin, utiliser un produit désinfectant. Assurez-vous que le produit n'est pas dangereux avant de l'utiliser.



**MISE EN GARDE! Respectez les consignes d'utilisation du produit de nettoyage. Lisez les instructions avant d'utiliser le produit sous peine d'endommager le recouvrement et les finis ou de provoquer une irritation cutanée.**

### CONNEXIONS DES BORNES DE BATTERIES

- Assurez-vous que les branchements sont bien serrés et libres de corrosion.
- Les batteries doivent être bien à plat au fond des puits.
- Les bornes des batteries doivent être orientées conformément au schéma de branchement de la batterie. Voir section III. «Batteries et recharge».

### CABLAGES ELECTRIQUES

- Vérifiez régulièrement l'état de la gaine du câble avant/arrière.
- Inspectez régulièrement la gaine protectrice de fils et câbles incluant le cordon du chargeur à batteries.
- Faites réparer tous les câbles ou les fils endommagés par votre détaillant autorisé avant d'utiliser votre véhicule.



**INTERDIT! Même si votre véhicule a réussi un test de résistance à l'humidité, éloignez-le des sources d'humidité ou de liquide tel que l'eau de lavage et l'incontinence. Inspectez régulièrement les composants pour déceler la corrosion.**



**MISE EN GARDE! Ne tirez pas directement sur les câbles pour les détacher du véhicule. Il faut toujours prendre le connecteur pour détacher le câble afin d'éviter les dommages.**

## VIII. SOINS ET ENTRETIEN

### REPLACEMENT D'UNE ROUE

Si votre véhicule est équipé de pneumatiques et que vous avez une crevaison, le tube peut-être remplacé. Contactez votre détaillant autorisé pour de plus amples informations au sujet des pneus de remplacement pour votre véhicule.

**MISE EN GARDE! Seulement votre un technicien spécialisé doit réparer les roues de votre véhicule.**

**MISE EN GARDE! Dégonflez complètement un pneumatique avant de tenter de démonter ou de réparer la roue.**



**MISE EN GARDE! Assurez-vous de retirer la clé du contact et de vérifier que le véhicule est bien embrayé avant de faire cette procédure.**

**MISE EN GARDE! Lors du remplacement d'une roue, enlevez seulement les écrous de roue puis retirez la roue. Si vous devez démonter le pneu, dégonflez-le complètement d'abord sous peine de le faire exploser.**

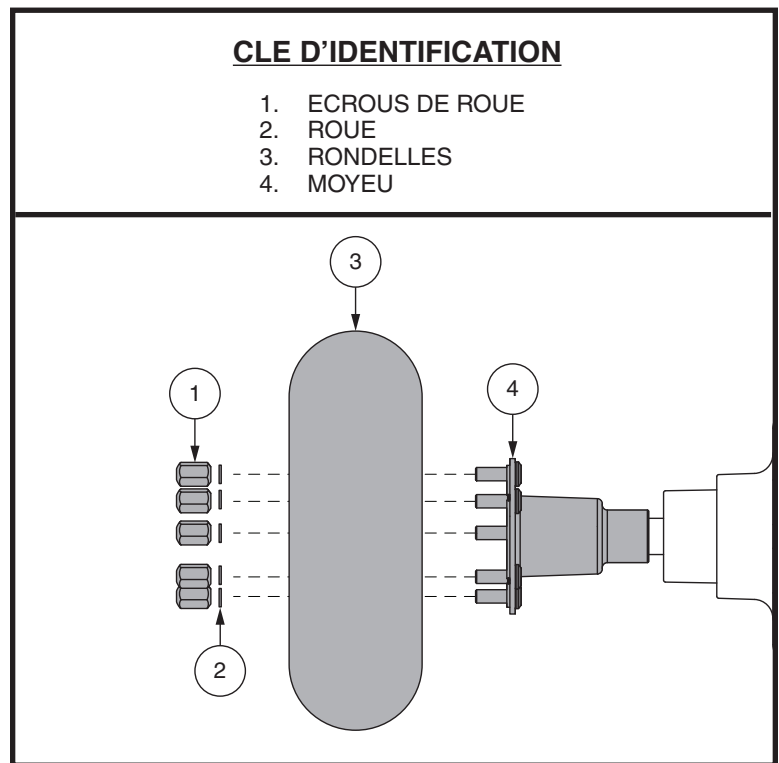


Figure 26. Enlèvement de la roue motrice

Procédez selon les étapes suivantes pour réparer les pneus à âme pleine et gonflables en toute sécurité:

1. Enlevez la clé du contact et assurez-vous que le véhicule n'est pas en mode roue libre.
2. Élevez le côté du véhicule sur lequel vous désirez enlever le pneu. Placez des cales de bois sous la structure du véhicule pour l'élever.
3. Retirez les écrous et les rondelles de roue du moyeu. **Voir la figure 26.**
4. Retirez la roue du moyeu.
5. Revissez les deux sections de jante ensemble sur le pneu.
6. Glissez la nouvelle roue en place.
7. Réinstallez les rondelles de roue et écrous sur l'essieu et serrez bien.



**MISE EN GARDE! Assurez-vous que la clé de l'essieu soit correctement installée dans la fente de l'essieu lors du montage de la roue. Si elle n'est pas installée en toute sécurité, les freins sont relâchés qui peut provoquer cela pourrait causer des blessures et/ou dommages au produit.**

8. Gonflez les pneus à la pression en psi/bar/kPa indiquée dans chaque pneu.
9. Retirez les cales sous le véhicule.

# VIII. SOINS ET ENTRETIEN

## ENTRETIEN QUOTIDIEN

- Coupez le contact avant de vérifier l'accélérateur. Assurez-vous que le mât de l'accélérateur n'est pas tordu et qu'il revient bien à la verticale lorsque vous le relâchez. Ne tentez pas de les réparer, contactez plutôt votre détaillant autorisé.
- Inspectez visuellement le câble du module. Si vous découvrez des coupures ou des fils exposés, contactez votre détaillant autorisé.
- Vérifiez les déformations sur les pneus à âme pleine. Ils peuvent affecter la stabilité du fauteuil motorisé.
- Inspectez les fixations d'accoudoirs pour déceler du jeu excessif, des dommages ou des signes de stress. Voyez votre détaillant autorisé si vous trouvez un problème.
- Vérifiez les freins. Ce test doit être exécuté sur une surface à niveau et avec au moins un mètre de dégagement autour de votre véhicule.

### Pour vérifier les freins:

1. Mettez le contact et réglez le bouton de vitesse au plus lent.
2. Attendez une seconde et vérifiez l'état des batteries. La tension doit se maintenir.
3. Tirer doucement sur l'accélérateur jusqu'à ce que vous entendiez les freins électriques se relâcher. Relâchez immédiatement l'accélérateur. Vous devez entendre le déclic presque immédiatement à chaque fois que vous poussez la manette. Répétez ce test trois fois en tirant sur l'accélérateur dans les directions opposées.

## VERIFICATIONS HEBDOMADAIRES

- Débranchez le contrôleur du module d'alimentation pour l'inspecter. Vérifiez qu'il n'y a pas de traces de corrosion. Contactez votre détaillant autorisé au besoin.
- Vérifiez la pression des pneus, si équipé de pneus. Elle doit être à la pression en psi/bar/kPa indiquée dans chaque pneu. Si un pneu fuit, voyez votre détaillant autorisé pour obtenir un tube de rechange.

## VERIFICATIONS MENSUELLES

- Vérifiez les roulettes antibascule, elles ne doivent pas toucher le sol lorsque vous avancez. Réglez les roulettes au besoin.
- Vérifiez l'usure des roulettes. Remplacez-les au besoin.
- Vérifiez l'usure des pneus. Voyez votre détaillant autorisé pour les remplacer.
- Gardez votre véhicule bien propre, enlevez la boue, les cheveux, la nourriture, etc.

## VERIFICATIONS ANNUELLES

Apportez votre véhicule chez votre détaillant autorisé au moins une fois par année pour une inspection, surtout si vous utilisez votre véhicule régulièrement. Vous serez ainsi assuré qu'il fonctionne correctement et vous préviendrez des complications futures.

## CAPOTS EN ABS

Si votre véhicule dispose d'un carénage avec une  **finition brillante** , le carénage a été pulvérisé avec un revêtement d'étanchéité transparent. Vous pouvez appliquer une légère couche de cire de voiture pour l'aider à conserver son aspect brillant. Si votre véhicule dispose d'un carénage avec une  **finition mate** , utilisez  **UNIQUEMENT**  les produits développés pour la peinture mate. N'utilisez pas de cire, d'aérosol de nettoyage, ArmorAll® ou tout autre produit fabriqué pour des peintures brillantes.



**MISE EN GARDE! Choisissez avec précaution le produit approprié pour protéger la finition du ou des carénages de votre véhicule. Seuls les produits développés pour la peinture mate doivent être utilisés sur des carénages avec une finition mate. Le non-respect de cette mise en garde peut endommager le fini de peinture mate du carénage.**

## ROULEMENTS A BILLE ET MODULE MOTEUR/TRANSMISSION

Ces pièces sont scellées à l'usine et ne requièrent aucune lubrification.

## VIII. SOINS ET ENTRETIEN

### BROSSES DU MOTEUR

Celles-ci sont à l'intérieur du module moteur/transmission. Faites-les inspecter par votre détaillant autorisé périodiquement.

### CONSOLE, CHARGEUR ET MODULE DE COMMANDES ELECTRONIQUES

- Protégez-les de l'humidité.
- Si une de ces composantes venait à être exposée à de l'humidité, laissez sécher votre véhicule complètement avant de l'utiliser à nouveau.

### REPLACEMENT D'UN FUSIBLE

Dans l'éventualité où un fusible venait à brûler:

1. Retirez le fusible de sa fente en tirant dessus.
2. Examinez-le pour vérifier s'il est brûlé. **Voir la figure 27.**
3. Insérez un nouveau fusible de résistance adéquate.



**MISE EN GARDE! Le nouveau fusible doit être identique à celui que vous devez remplacer sous peine d'endommager le système électrique.**

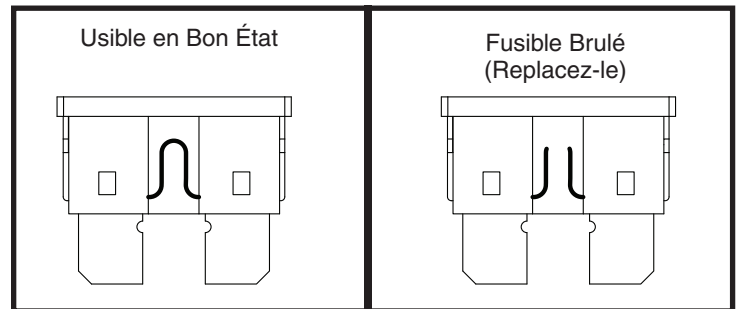


Figure 27. Le remplacement des fusibles

### REPLACEMENT D'ECROU AUTOFREINE EN NYLON

Tout écrou autofreiné en nylon retiré pendant l'entretien périodique, la réparation, le montage ou démontage du véhicule doit être remplacé par un neuf. Les écrous de nylon ne doivent pas être réutilisés car ceux-ci peuvent se desserrer et entraîner un danger. Des écrous de remplacement en nylon sont disponibles dans les quincailleries ou chez votre détaillant autorisé.

### ENTREPOSAGE DE VOTRE VÉHICULE

Si vous pensez ne pas utiliser votre véhicule pour une période prolongée:

- Rechargez les batteries complètement avant d'entreposer votre véhicule.
- Débranchez les batteries du véhicule.
- Entreposez votre véhicule dans un endroit sec à l'abri du gel.
- Évitez d'entreposer votre véhicule dans un endroit exposé à des températures extrêmes.
- Température de stockage recommandée: -40°C/-40°F to 65°C/149°F.



**MISE EN GARDE! Si les batteries de votre véhicule venaient à geler, ne tentez pas de les recharger. Une batterie gelée doit être laissée dans un endroit tempéré plusieurs jours avant d'être rechargée.**

Des batteries qui sont souvent déchargées trop profondément, rechargées de manière infrequente, entreposées sous des températures extrêmes ou insuffisamment chargées peuvent être endommagées de façon permanente. Ces batteries auront de piètres performances et durent moins longtemps. Il recommande de recharger les batteries de votre véhicule de façon périodique pendant l'entreposage prolongé afin de protéger leurs performances futures.

Afin de protéger les pneus pendant l'entreposage, placez des cales de bois sous le véhicule de manière à ce que les pneus ne soient pas en contact avec le sol. Ceci évitera la déformation de la semelle.

### COMMENT DISPOSER DE VOTRE VÉHICULE

Vous devez disposer de votre véhicule en respectant les règlements en vigueur dans votre localité. Contactez votre centre de recyclage ou votre détaillant autorisé pour les informations pour la mise au rebut de l'emballage, des composantes métalliques, plastiques, électroniques, batteries, néoprène, silicone, et les matériaux de polyuréthane.



**MISE EN GARDE! Les sacs en plastique présentent un risque de suffocation. Jeter les sacs en plastique correctement et ne pas permettre aux enfants de jouer avec eux.**

# NOTES

# NOTES





MONTAJE



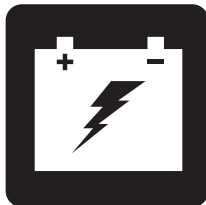
FUNCIONAMIENTO



CONFORT



MANTENIMIENTO



BATERÍAS Y SU CARGA

# MV600

## MANUAL DE USARIO

# CONSIGNAS SE SEGURIDAD



**¡ADVERTENCIA!** Un comerciante autorizado o un técnico cualificado deberá realizar la configuración inicial del vehículo, así como cualquier otro procedimiento de este manual.

Los símbolos que se muestran a continuación son utilizados en este manual y en el vehículo para identificar advertencias y avisos importantes. Asegúrese de que los ha leído y comprendido perfectamente.



**¡ADVERTENCIA!** Indica una situación o circunstancia potencialmente peligrosa. De no seguir los procedimientos indicados, podría provocar en usted o en terceros lesiones físicas, y daños o averías en el material. En el producto, este icono tiene forma de símbolo negro en un triángulo amarillo con borde negro.



**¡OBLIGATORIO!** Pasos que deben realizarse tal y como se indica. De no realizar las acciones obligatorias, podría sufrir lesiones y/o daños en el material. En el producto, este icono tiene forma de símbolo blanco sobre un círculo azul con borde blanco.



**¡PROHIBIDO!** Estas acciones están prohibidas, cualquiera que sea el tiempo o las circunstancias. La realización de acciones prohibidas puede provocar lesiones personales y/o daños en el material. En el producto, este icono tiene forma de símbolo negro con un círculo y raya rojos.

## USO INDICADO

El uso indicado del vehículo es facilitar la movilidad de personas confinadas a una silla de ruedas pero con capacidad para manejar un vehículo.

## CON RESPECTO A LOS DISPOSITIVOS RECETADOS



**¡ATENCIÓN!** La ley federal limita a este dispositivo a su venta por parte de o por orden de un médico u otro profesional certificado y que cuente con licencia de la ley del estado (sólo en los EE.UU.) o de la región en donde ejerce este profesional para usar u ordenar el uso de este dispositivo.

Rellene la siguiente información para tener siempre a mano:

Comerciante: \_\_\_\_\_

Dirección: \_\_\_\_\_

Número de teléfono: \_\_\_\_\_

Fecha de compra: \_\_\_\_\_ Número de serie: \_\_\_\_\_

*NOTA: El presente manual de instrucciones recoge las últimas especificaciones e informaciones disponibles en el momento de su publicación. Nos reservamos el derecho a aportar modificaciones en caso necesario. Cualquier modificación en nuestros productos puede provocar ligeras variaciones entre las ilustraciones y explicaciones de esta guía y el producto que ha comprado. En nuestro sitio web encontrará la versión última/actual de este manual.*

*NOTA: Este producto cumple las directivas y normativas WEEE, RoHS y REACH.*

*NOTA: Este producto cumple con la clasificación IPX4 (IEC 60529).*

*NOTA: Ni MV600 ni sus componentes están fabricados con látex de goma natural. Consulte al fabricante con respecto a cualquier accesorio o pieza de repuesto.*



# ÍNDICE

<b>CONSIGNAS DE SEGURIDAD .....</b>	<b>74</b>
<b>I. SEGURIDAD .....</b>	<b>76</b>
<b>II. SU VEHÍCULO .....</b>	<b>79</b>
<b>III. BATERÍAS Y SU CARGA .....</b>	<b>87</b>
<b>IV. FUNCIONAMIENTO .....</b>	<b>94</b>
<b>V. OPTIMIZAR EL CONFORT .....</b>	<b>96</b>
<b>VI. DESMONTAJE/MONTAJE .....</b>	<b>100</b>
<b>VII. RESOLUCIÓN DE PROBLEMAS .....</b>	<b>101</b>
<b>VIII. CUIDADO Y MANTENIMIENTO .....</b>	<b>103</b>

# I. SEGURIDAD

## SÍMBOLOS DE SEGURIDAD

Estos símbolos aparecen en su vehículo y sirven para identificar advertencias, acciones obligatorias o prohibidas. Asegúrese de que los ha leído y comprendido perfectamente.

**NOTA:** En la *Guía de Seguridad del Usuario* suministrada con su vehículo encontrará la explicación de otras advertencias de uso. Familiarícese con todas las advertencias de uso y otra información de seguridad indicadas en la *Guía de Seguridad del Usuario* y remítase regularmente a esta fuente.



**Lea con atención la información del manual de usuario.**



**Indica los puntos de sujeción de la vehículo DESOCUPADOS**



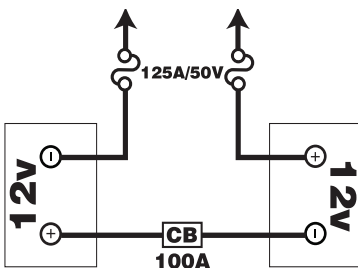
**Etiqueta de información del vehículo**



**Fabricado en**



**No cumple la normativa ISO 7176-19 sobre vehículos de transporte ocupados dentro de un vehículo a motor. No permanezca sentado en su vehículo mientras viaja en un vehículo a motor.**



**Configuración de las baterías:**

**+ = Borne o terminal positivo (rojo)**

**- = Borne o terminal negativo (negro)**

**Conexión del cable rojo al borne positivo rojo (+).**

**Conexión del cable negro al borne negativo negro (-).**



**Antes de empezar a manejarlo, cargue completamente las baterías.**

**Quite la llave del vehículo si no lo está utilizando.**

# I. SEGURIDAD

## GENERAL



**OBLIGATORIO! Antes de utilizar su vehículo por primera vez, lea y siga todas las instrucciones de este manual y de la Guía de Seguridad del Usuario.**

Su vehículo es un producto de vanguardia. Ofrecemos una amplia variedad de productos para adaptarse mejor a las necesidades individuales del usuario del vehículo.

Hay ciertas situaciones en las que el usuario del vehículo necesitará practicar el manejo del vehículo.

Al empezar a utilizar el vehículo, probablemente se encuentre con situaciones para las que necesite una mayor práctica. Tómese el tiempo necesario. Pronto sentirá una mayor confianza y control en el manejo a través de puertas, al girar en curvas o al entrar o salir de ascensores, rampas, o en superficies irregulares.

El producto viene con otra información de carácter general, hojas de datos técnicos y otros folletos comerciales. Lea detenidamente y revise toda la información y guárdela en un lugar seguro para consultas futuras.

Seguidamente, se muestran algunas precauciones, trucos y otras consignas de seguridad que le ayudarán a familiarizarse con el funcionamiento de su vehículo.

## INSPECCIÓN DE SEGURIDAD PREVIA

Familiarícese con su vehículo y sus funciones. Recomendamos que realice una inspección previa de seguridad para confirmar que su vehículo funciona de manera correcta y segura.

**Antes de utilizar el vehículo, inspeccione lo siguiente:**

- Verifique el estado de las ruedas. Asegúrese de que no estén dañadas ni demasiado gastadas.
- Compruebe todas las conexiones eléctricas. Asegúrese de que estén tensas y sin corrosión.
- Compruebe todas las conexiones del regulador al panel eléctrico. Asegúrese de que estén bien tensadas.
- Compruebe los frenos y asegúrese de que funcionen correctamente.
- Compruebe el indicador de nivel de batería para asegurarse de que las baterías estén totalmente cargadas.
- Compruebe que la palanca manual está en el modo conducción antes de sentarse en el vehículo.

Si encuentra algún problema, póngase en contacto con su comerciante autorizado. Consulte la hoja de información de contacto suministrada con el producto.

## INFORMACIÓN ACERCA DE LOS FRENOS

Su vehículo está equipado con estos potentes sistemas de frenado:

- Regenerativo: Utiliza la electricidad para ralentizar rápidamente el vehículo cuando la palanca de mando vuelve a su posición central.
- Frenos de disco de estacionamiento: Se activan mecánicamente una vez que los frenos regenerativos han reducido la velocidad del vehículo, o cuando falta la alimentación del sistema, independientemente del motivo.
- Freno de mano: Esta palanca le proporciona la potencia para una detención de emergencia. Consulte II. “Su Vehículo”.

# I. SEGURIDAD

## PALANCA DE FRENO DE MANO

La palanca de freno de mano contiene fluido hidráulico. Cuando la palanca está activada, el fluido es empujado a través de la línea de freno para acoplar las pastillas de freno con los discos de freno. La palanca del freno de mano es una unidad completamente sellada, lo que significa que el fluido hidráulico no presenta fugas, sin embargo, se deben tomar ciertas medidas de seguridad en caso de que la palanca del freno de mano se agriete o se rompa.

- No toque el material derramado a menos que use el equipo de protección, tal como las gafas de seguridad y guantes.
- Para pequeños derrames, cubra el material con tierra seca, arena u otro material absorbente no combustible. Una vez absorbido, coloque el material en una bolsa de plástico y póngase en contacto con su agencia local de eliminación de residuos para que le informen las medidas adecuadas a tal fin. No exponga el material a cursos de agua o alcantarillas.
- Si sus ojos están expuestos, busque y retire las lentes de contacto. Lave sus ojos con agua fría, limpia, y a baja presión mientras se levantan y bajan los párpados. Busque atención médica si persiste el lagrimeo, el enrojecimiento o el dolor.
- Si la piel está expuesta, quítese la ropa contaminada. Limpie el exceso de material y lave la piel expuesta con agua y jabón. Busque atención médica si la piel parece haber sufrido daños o si la irritación persiste. Lavar minuciosamente la ropa contaminada antes de volverla a usar. Deseche los artículos de cuero contaminados.
- Si es ingerido ingiere, no induzca el vómito ni dé nada de beber a menos que lo indique un médico. Administre nada por vía oral a una persona que no esté completamente consciente. Busque atención médica de inmediato.
- Si es inhalado, traslade a la persona afectada a un lugar con aire fresco. Si la persona afectada no respira, comience inmediatamente la respiración boca a boca. Si la respiración es difícil, una persona calificada deberá administrar oxígeno 100% humidificado por. Busque atención médica de inmediato y mantenga a la persona afectada abrigada y en reposo.
- Si se inflama, utilizar polvo químico, espuma, dióxido de carbono o niebla de agua para su extinción.

**¡ADVERTENCIA! No modifique la palanca del freno de mano ni intente reemplazar el líquido hidráulico. Si se daña, siga las instrucciones de seguridad en este apartado y contáctese con su distribuidor autorizado para realizar la sustitución del freno de mano. El freno de mano hidráulico sólo debe ser reparado o reemplazado por un distribuidor autorizado.**



**¡ADVERTENCIA! El freno de mano contiene fluido hidráulico que puede causar irritación dermatológica, ocular y nasal / bronquial leve. No intente ajustar o reparar el freno de mano sin el equipo de protección adecuado, tal como lo son las gafas de seguridad y los guantes. Lávese las manos después de manipularlo.**

## II. SU VEHÍCULO

### CONSOLA DEL MANILLAR

La consola del timón y el aloja todos los controles necesarios para conducir su vehículo, incluidos el panel de control de LCD, palancas de control del acelerador, el interruptor de la llave y el interruptor de la palanca de control del acelerador. Ver la figura 1.



**¡PROHIBIDO! No deje que la consola se humedezca. Si la consola estuviera humedecida, espere hasta que se seque completamente antes de manejar el vehículo.**

#### CLAVES DE IDENTIFICACIÓN

- |  |                                      |
|--|--------------------------------------|
| 1. CLAXON                                    | 8. RETROVISOR Y PUERTO DE RETROVISOR |
| 2. REGULADOR AJUSTE DE VELOCIDAD (AUMENTAR)  | 9. PALANCA DEL FRENO DE MANO         |
| 3. REGULADOR AJUSTE DE VELOCIDAD (DISMINUIR) | 10. BOTÓN DE MODO                    |
| 4. INTERMITENTES DE DIRECCIÓN                | 11. BOTÓN DE LUCES DE PELIGRO        |
| 5. PALANCA ACELERADORA                       | 12. BOTÓN DE CONFIGURACIÓN           |
| 6. INTERRUPTOR MÁX-MÍN                       | 13. PANTALLA LCD                     |
| 7. BOTÓN DE LUCES                            | 14. PALANCA DE AJUSTE DEL MANILLAR   |
|  | 15. BLOQUEO DE FRENOS                |

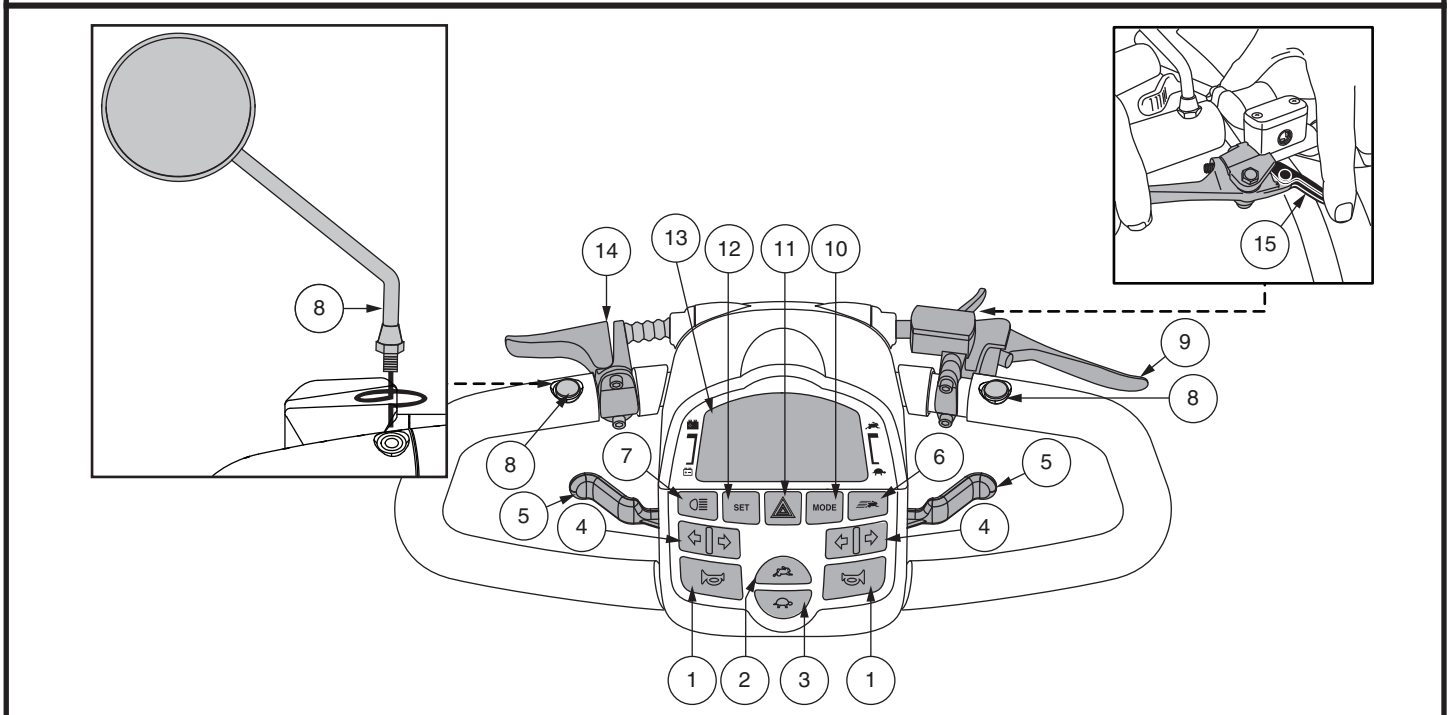


Figura 1. Panel de Control LCD

#### Claxon

Activa el claxon de advertencia. El claxon sólo funcionará con el vehículo encendido. No dude en utilizar el claxon como señal de advertencia ante cualquier riesgo de accidente o lesión.

#### Botones de Regulador de Velocidad

Estos botones de ajuste le permiten preseleccionar y limitar la velocidad de su vehículo. Esto se señala a través del indicador de velocidad máxima en la pantalla LCD.

- Presione la imagen de la **tortuga** para disminuir la velocidad del vehículo.
- Presione la imagen del **conejo** para aumentar la velocidad del vehículo.

#### Intermitentes de dirección

- Presione el botón de señal de giro correspondiente una vez para activarlo. La señal de giro destella en la pantalla LCD.
- Presione el mismo botón de señal para apagarlo.

## II. SU VEHÍCULO

### Palanca Aceleradora

Estas palancas le permiten controlar la velocidad de avance y la velocidad en reversa de su vehículo hasta la velocidad máxima que usted predetermine con los botones de ajuste de velocidad. Una palanca de control del acelerador se encuentra ubicada en la parte inferior de los costados izquierdo y derecho del mango del timón. Ver la figura 1.

*Para utilizar la palanca de control del acelerador:*

**Para moverse hacia adelante tiene dos opciones:**

- Presione con el pulgar izquierdo la palanca aceleradora izquierda.
- Tire con los dedos de la mano derecha de la palanca aceleradora derecha.

**Para moverse marcha atrás tiene dos opciones:**

- Presione con el pulgar derecho la palanca aceleradora derecha.
- Tire con los dedos de la mano izquierda de la palanca aceleradora izquierda.

Suelte la palanca aceleradora hasta que el vehículo se detenga completamente antes de activar el otro lado de la palanca. Al soltar la palanca aceleradora, ésta vuelve automáticamente a la posición central de “stop”, activando los frenos del vehículo.

### Interruptor Máx-Mín

Pulse este botón para seleccionar una velocidad Alta o una velocidad Baja.

- Presione el botón Alta-baja una vez para configurar el ajuste de velocidad a alta. El indicador Alta-baja aparecerá en la pantalla LCD. Ver la figura 2. El uso de esta configuración junto con los botones de ajuste de la velocidad permitirá que el vehículo llegue hasta la velocidad máxima preprogramada para el vehículo.
- Presione nuevamente el botón Alta-baja para configurar el ajuste de velocidad a baja. El indicador de Alta-baja no aparecerá en la pantalla LCD. El uso de esta configuración junto con los botones de ajuste de la velocidad permitirá que el vehículo llegue hasta una velocidad equivalente a la mitad de la velocidad máxima preprogramada para el vehículo.

### Interruptor de iluminación

Este interruptor controla el sistema de luces del vehículo.

- Presione el botón de las luces una vez para activar el sistema de iluminación. El símbolo de la luz aparecerá en la pantalla LCD.
- Presione nuevamente el botón de las luces para apagar el sistema de iluminación.



**¡ADVERTENCIA! Encienda las luces de su vehículo cuando la visibilidad sea insuficiente (sea de día o de noche).**

### Botón de luces de peligro

Este botón activa las luces intermitentes cuádruples de color amarillo en su vehículo.

- Presione el botón una vez para encender las luces intermitentes de emergencia.
- Presione el botón nuevamente para apagar las luces intermitentes de emergencia.

**NOTA:** Las luces intermitentes cuádruples destellarán y sonará un pitido de advertencia mientras las luces de emergencia permanezcan encendidas. Ver la figura 6 para el control del volumen.

### Palanca de ajuste del manillar

Para obtener información sobre la posición y el ajuste de su ángulo del manillar, consulte V. “Optimizer el confort”.

### Posicionamiento y ajuste del espejo

Para obtener información sobre la posición y el ajuste de su espejo, consulte V. “Optimizer el confort”.



## II. SU VEHÍCULO

### Configuraciones de la pantalla y el panel de control LCD

El panel de control LCD ofrece información de retroalimentación a través de la intuitiva pantalla LCD. Ver la figura 1. La pantalla LCD también se usa durante la instalación (activación) de las distintas configuraciones del panel de control.

### Palanca del Freno de Mano

Esta palanca le proporciona la potencia para una detención de emergencia. Cuando está en movimiento, suelte la palanca de control del acelerador y apriete suavemente la palanca del freno de mano para detenerse. La efectividad del freno de mano puede modificarse apretando o aflojando el tornillo de fijación ubicado en la palanca del freno de mano. Ver figura 2.

Para activar el freno de estacionamiento, apriete la palanca del freno de mano y luego presione en la parte superior del mecanismo del freno de mano. Una línea roja le indicará que el freno de estacionamiento del vehículo está activado. Ver la figura 2. Cuando esté listo para reanudar el trayecto, dé un toque a la palanca del freno de mano para desactivar el freno de estacionamiento.



**¡ADVERTENCIA! El freno de mano está diseñado para ser utilizado sólo como freno de emergencia y/o como freno de estacionamiento.**

### Botón de modo

Use el botón de modo para desplazarse entre el odómetro, tipómetro, temperatura y reloj.

### Toma de Alimentación del Cargador

El cable de alimentación del cargador externo se enchufa en esta toma para cargar las baterías. Ver la figura 5.

### Cerradura de Contacto

- Introduzca la llave en la cerradura de contacto y gírela en sentido horario para encender el vehículo.
- Gírela en sentido contrario a las agujas del reloj para apagar el vehículo.



**¡ADVERTENCIA! Si mueve la llave a la posición "off" con el vehículo en movimiento, activará los frenos electrónicos y el vehículo se detendrá bruscamente.**

### Fusible de la Consola

Estos fusibles sirven para proteger las luces frontales del vehículo, los intermitentes y el sistema de contacto de la consola de sobrecargas de tensión. Los fusibles de su vehículo son del mismo tipo que los utilizados en automóviles (fig. 4). Véase el capítulo VIII, "Cuidado y mantenimiento" para instrucciones sobre el cambio de fusibles.

**NOTA: Mantenga todas las superficies eléctricas limpias, sin humedad ni cuerpos extraños.**

#### CLAVES DE IDENTIFICACIÓN

1. PALANCA DEL FRENO DE MANO
2. TORNILLO DE AJUSTE
3. BLOQUEO DE FRENOS

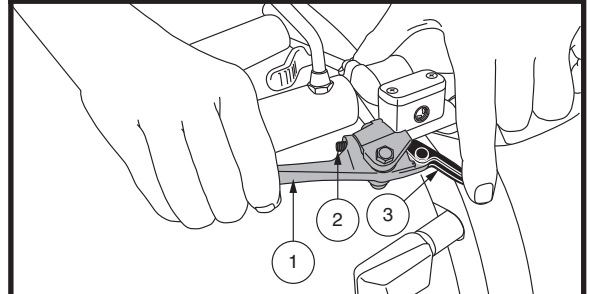


Figura 2. Palanca de freno de mano y bloqueo de freno (en la posición de bloqueo)

#### CLAVES DE IDENTIFICACIÓN

1. INTERRUPTOR DE LLAVE
2. TOMA DE ALIMENTACIÓN DEL CARGADOR
3. FUSIBLE DE LA CONSOLA

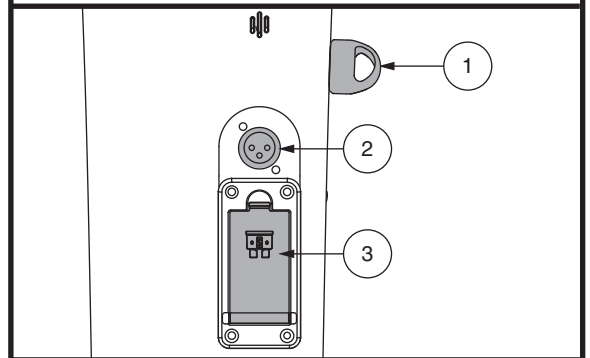


Figura 3. Componentes del timón inferior

#### CLAVES DE IDENTIFICACIÓN

1. TOMA DE ALIMENTACIÓN DEL CARGADOR
2. PUERTO USB
3. FUSIBLE DE LLAVE
4. FUSIBLE DE BATERÍA

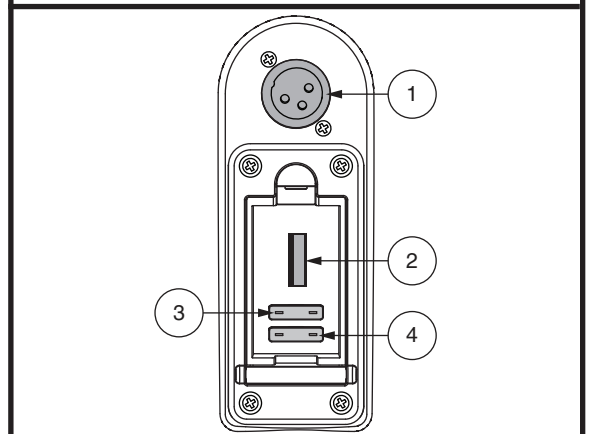


Figura 4. Receptáculo del Cargador Externo / Fusibles del Manillar

## II. SU VEHÍCULO

### CONFIGURACIONES DE LA PANTALLA Y EL PANEL DE CONTROL LCD

El panel de control LCD ofrece información de retroalimentación a través de la intuitiva pantalla LCD. Ver la **figura 5**. La pantalla LCD también se usa durante la instalación (activación) de las distintas configuraciones del panel de control. See el **cuadro 1**.

#### CLAVES DE IDENTIFICACIÓN

- |   |  |
|---|--|
| 1. INDICADOR DE CONDICIÓN DE LA BATERÍA | 8. AM/PM                                 |
| 2. INDICADOR DE LUCES                   | 9. RELOJ                                 |
| 3. VELOCIDAD/CÓDIGO DE ERROR/VOLUMEN    | 10. TEMPERATURA                          |
| 4. INDICADOR DE ALTA/BAJA               | 11. DISTANCIA/HORA/TEMP/MENSAJE DE ERROR |
| 5. INDICADOR DE UNIDAD                  | 12. TIPÓMETRO                            |
| 6. INDICADOR DE VELOCIDAD MÁXIMA        | 13. ODÓMETRO                             |
| 7. INDICADOR DE GIRO A LA DERECHA       | 14. INDICADOR DE GIRO A LA IZQUIERDA     |

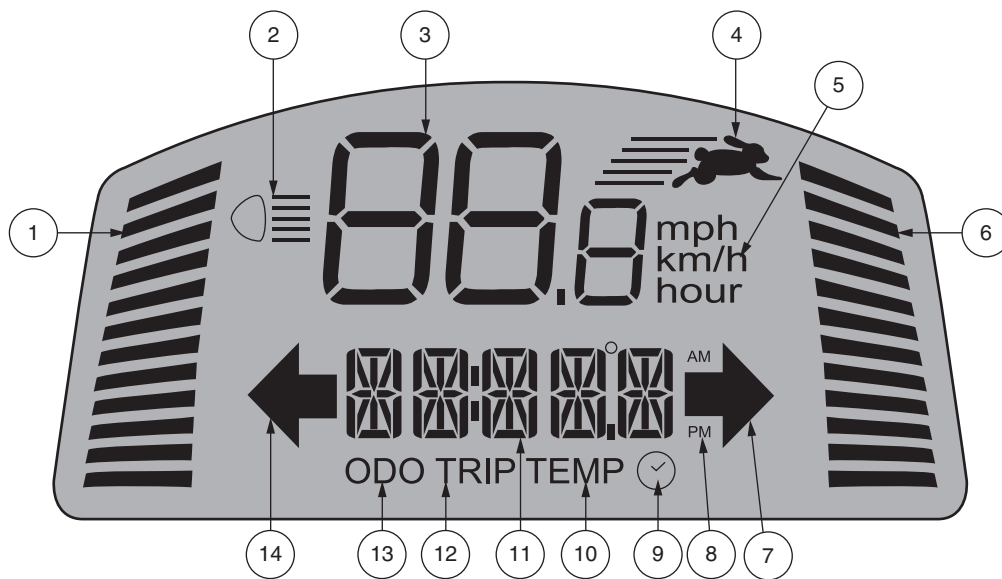



Figura 5. Pantalla LCD

**NOTA:** Para programar las configuraciones del panel de control, el Indicador Hi-Low debe estar apagado, y el Indicador de Velocidad Máxima debe estar lleno. Ver la figura 1.










## II. SU VEHÍCULO

### CUADRO DE INFORMACIÓN DE CONFIGURACIÓN

PARÁMETRO	CÓDIGO	INFORMACIÓN
Odómetro	<b>ODO</b>	Mide las mph, km/h y las horas de uso. También muestra toda la distancia viajada durante la vida del PMV. (No se puede reiniciar.)
Tipómetro	<b>TRIP</b>	Muestra la distancia recorrida. (Puede ser reiniciada a "0".)
Temperatura	<b>TEMP</b>	Muestra la temperatura actual en °C o °F.
Reloj		Muestra la hora en 12 horas (AM/PM) o 24 horas.

Cuadro 1. LCD Control Panel Information

Presione **MODE (MODO)** hasta que la configuración que desea cambiar aparezca en la pantalla LED. Luego, mantenga presionado **SET** y **MODE** hasta que la configuración parpadee, luego siga los pasos correspondientes a su configuración en el **cuadro 2**.

	ODO	TRIP	TEMP	
<b>OPERACIÓN</b>	Presione <b>MODE</b>	Presione <b>MODE</b> durante 2 segundos y suelte	Presione <b>MODE</b>	Presione <b>MODE</b> (los dígitos de la hora titilan)
<b>SELECCIÓN</b>	Usa <b>SET</b> para seleccionar una opción	Presione y mantenga <b>SET</b> hasta que la opción reinicie a 0.0	Usa <b>SET</b> para escoger entre °C o °F	Usa <b>SET</b> para cambiar las horas. Presione alternativamente <b>MODO</b> y <b>SET</b> para cambiar los minutos y AM/PM.
<b>SALIR</b>	Presione  or 	Presione  or 	Presione  or 	Presione  or 

Cuadro 2. LCD Control Panel Information

### Modo de carga de batería

Mientras se carga la batería, la consola mostrará el reloj y el indicador de la condición de la batería.

### Indicador de la condición de la batería

Cuando la tecla se coloca en la posición "on" (encendido), este indicador LED le da una lectura aproximada de la carga de la batería. Cuando la tensión de la batería del vehículo alcanza un nivel lo suficientemente bajo, sonará un pitido de advertencia una vez, indicando que las baterías necesitan ser cargadas. El pitido de advertencia no volverá a sonar hasta que el vehículo vuelva a ser encendido o la palanca de control del acelerador sea presionada.

### Indicador LED de velocidad máxima

El indicador de velocidad máxima muestra la velocidad máxima seleccionada con los botones de ajuste de velocidad. Cuantas más barras se encuentren iluminadas, mayor será la velocidad. La velocidad máxima del vehículo estará determinada por la configuración de ALTA-BAJA, que limita la velocidad máxima a la mitad cuando se coloca en BAJA. La velocidad de viaje real se mostrará en el indicador de velocidad de la pantalla LCD.

## II. SU VEHÍCULO

### Control del volumen

El volumen de las luces de emergencia, el claxon, la baja tensión, las señales de giro y el mensaje de error puede encenderse o apagarse de manera separada. **Ver la figura 6.**

#### Para configurar el volumen como encendido o apagado:

1. Asegúrese de que la tecla se encuentre en la posición “off” (apagado).
2. Presione los dos botones correspondientes simultáneamente (ver el cuadro 3) y coloque la tecla en la posición “on”.
3. Una vez que aparece la pantalla de control del volumen, suelte los botones.
4. Presione el botón del “conejo” o el botón de la “tortuga” para desplazarse por los modos (0-3 indica apagado y 4 indica encendido).

**NOTA:** El claxon puede encenderse o apagarse. En la Configuración 2, el control del volumen tiene que ser colocado en 4 para que funcione el claxon.

5. Para salir, presione cualquier botón excepto el del conejo o el de la tortuga.

**NOTA:** La opción de idioma del mensaje de error se configura de la misma manera que el volumen.

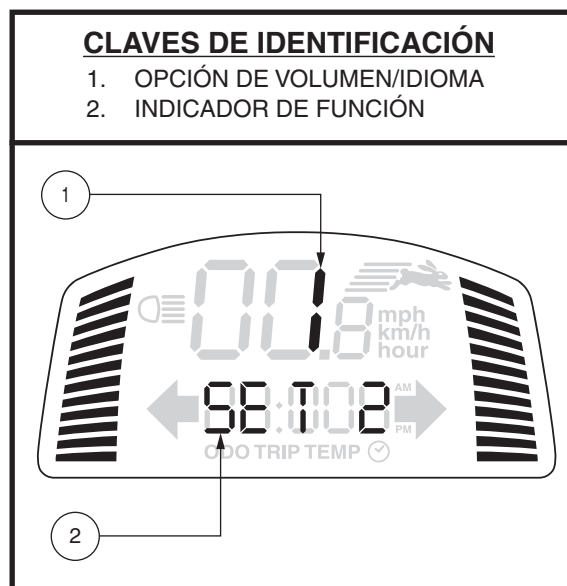


Figura 6. Pantalla del control del volumen

FUNCIÓN	BOTONES	INDICADOR DE FUNCIÓN
Luces de peligro	SET + LUCES DE PELIGRO	SET 1
Claxon	SET + CLAXON	SET 2
Baja tensión	SET + INDICADOR DE GIRO A LA IZQUIERDA	SET 3
Intermitentes de dirección	SET + INDICADOR DE GIRO A LA DERECHA	SET 4
Opción de idioma del mensaje de error	SET + LUCES	SET 5 6 - Español 5 - Italiano 4 - Francés 3 - Alemán 2 - Holandés 1 - Inglés 0 - Cerrar

Cuadro 3. Información sobre el control del volumen

### SECCIÓN POSTERIOR

La palanca del modo manual y el conjunto motor/transeje están situados en de su vehículo tal y como aparece. **Ver la figura 7.** Aunque no se muestran, las baterías y el interruptor principal (botón de reinicio) también se encuentran en la sección posterior de componentes de su vehículo.



**¡ADVERTENCIA!** Antes de activar o desactivar el modo manual de su vehículo, quite la llave de la cerradura de contacto. No se siente nunca en un vehículo que esté en modo manual. No utilice nunca el modo manual en pendientes.

## II. SU VEHÍCULO

### Palanca del Modo Manual

Utilice el modo manual cuando necesite o quiera empujar su vehículo a lo largo de distancias cortas.

1. Saque la llave de la cerradura de contacto.
2. Presione la palanca hacia delante para deshabilitar el sistema de conducción y frenado. Ya puede empujar su vehículo.

**NOTA:** Si el vehículo viene equipado con una palanca manual de 2 posiciones, tire hacia arriba de la palanca manual y luego empujela hacia delante para deshabilitar los sistemas de conducción y de frenado. De esta forma, podrá empujar el vehículo.

3. Tire hacia atrás de la palanca del modo manual para volver a habilitar el sistema de conducción y frenado; desactivará así el modo manual del vehículo.

### CLAVES DE IDENTIFICACIÓN

1. PALANCA DEL MODO MANUAL
2. CONJUNTO DE MOTOR Y TRANSEJE

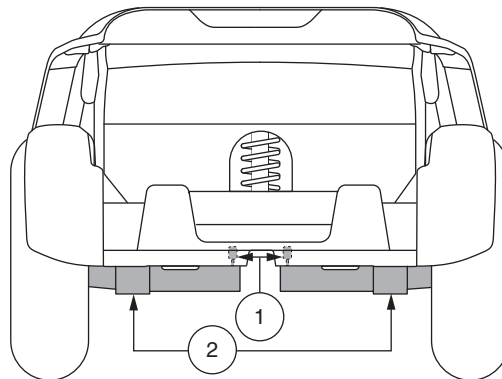


Figura 7. Sección Posterior

**¡ADVERTENCIA!** Cuando el vehículo está en modo manual, el sistema de frenado permanece inactivo.



- Desactive los motores sólo en superficies llanas.
- Asegúrese de sacar la llave de la cerradura de contacto.
- Sitúese detrás o a un lado del vehículo para activar y desactivar el modo manual. Nunca lo haga sentado en el vehículo.
- Cuando haya terminado de empujar el vehículo, vuelva siempre al modo conducción para bloquear los frenos.

**NOTE:** Si vous débrayez le véhicule (levier poussé vers l'avant) alors que le véhicule est allumé clé à la position «ON», le véhicule ne pourra fonctionner tant que le levier ne sera pas replacé à la position vers l'arrière et que le véhicule ne sera éteint puis allumé de nouveau.

### Conjunto de motor y transeje

El conjunto de motor y transeje constituye una unidad electromecánica que convierte la energía eléctrica de las baterías del vehículo en energía mecánica controlada que impulsa las ruedas del vehículo.

### Baterías

Las baterías guardan la energía eléctrica que impulsa el vehículo. Véase el capítulo III, “Baterías y su carga” para saber cómo cargar las baterías de su vehículo.

### Sensor de respaldo

Su vehículo está equipado con un sensor de respaldo automático y una luz de marcha atrás para alertarle sobre obstáculos sólidos que pueden estar detrás de usted. Cuando el vehículo se conduce en la dirección inversa y se detecta un obstáculo sólido, como una pared, se emite un tono audible que le avisa de la presencia de un objeto detectado. Esta función se puede desactivar usando el interruptor ubicado en el módulo del sensor de respaldo en la parte trasera de su vehículo.

**¡ADVERTENCIA!** El sensor de respaldo no debe ocupar el lugar de mirar detrás de usted antes de y mientras conduce en una dirección inversa. Es posible que los sensores no detecten objetos que se mueven, o aquellos con propiedades de reflexión deficientes, como personas, mascotas o arbustos.



- Para garantizar un funcionamiento confiable, mantenga el sensor libre de suciedad, barro y agua.
- Si se expone a agua, deje que el sensor se seque antes de usarlo.
- Si las pantallas de los sensores se cubren de polvo, residuos o agua, limpie con un paño seco antes de usar.

## II. SU VEHÍCULO

### Botón Disyuntor/Reinicio

Para evitar daños en el motor y el sistema electrónico, el disyuntor principal puede saltar cuando el voltaje de las baterías del vehículo se vuelve insuficiente o el vehículo está demasiado forzado debido a cargas o pendientes excesivas. Así, al activarse el disyuntor, todo el sistema eléctrico del vehículo se apaga. **Ver la figura 8.**

- La palanca de reinicio se abate cuando el interruptor se dispara.
- Deje “descansar” los componentes electrónicos de su vehículo durante un minuto o dos.
- Presione la palanca de reinicio hasta oír un clic o apriete el botón de reinicio para restablecer el disyuntor principal.
- Si el disyuntor principal se activa con frecuencia, puede que tenga que cargar las baterías más a menudo. Puede que necesite pedirle a su comerciante autorizado que realice una prueba de carga de las baterías del vehículo.
- Si el disyuntor principal interrumpe la corriente regularmente, consulte a su comerciante autorizado.

#### CLAVES DE IDENTIFICACIÓN

1. PALANCA DE REINICIO
2. BOTÓN DE APAGADO MANUAL

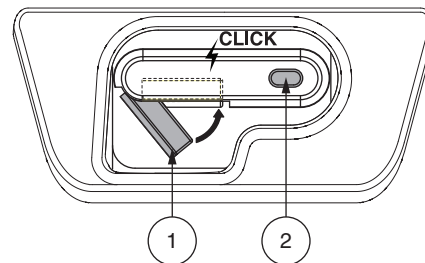


Figura 8. Botón Disyuntor/Reinicio

**NOTA:** Si está preparando el vehículo para un transporte o servicio, o si se presenta una situación que exige que usted apague manualmente el sistema eléctrico, presione el botón de apagado manual en el interruptor. Esto cortará toda la alimentación de energía eléctrica al vehículo.

### PUNTOS DE SUJECIÓN

Sujete siempre el vehículo dentro del vehículo mirando hacia delante. Enganche las cuatro correas de sujeción a los puntos de sujeción designados a tal efecto. **Ver la figura 9.** Apriete las correas para evitar cualquier movimiento en el vehículo. No sujete nunca las correas a piezas extraíbles o regulables del vehículo como reposabrazos, reposapiés o ruedas. Deberá retirar estos elementos extraíbles. Coloque los puntos de anclaje de las correas posteriores justo por detrás de los puntos de sujeción posteriores del vehículo. Las correas frontales deben amarrarse a los puntos de anclaje del suelo, que tienen una anchura ligeramente superior a la del vehículo para incrementar así la estabilidad lateral de éste.



**¡ADVERTENCIA!** Antes de transportar el vehículo dentro de un vehículo a motor, asegúrese de que el primero está sujeto correctamente. Los vehículos incorrectamente sujetos pueden ser un peligro para el usuario y para los restantes pasajeros del vehículo en caso de accidente de tráfico o detención o giro repentinos, ya que el vehículo podría volcar o moverse.

#### CLAVES DE IDENTIFICACIÓN

1. PUNTOS DE SUJECIÓN FRONTALES
2. PUNTOS DE SUJECIÓN POSTERIORE

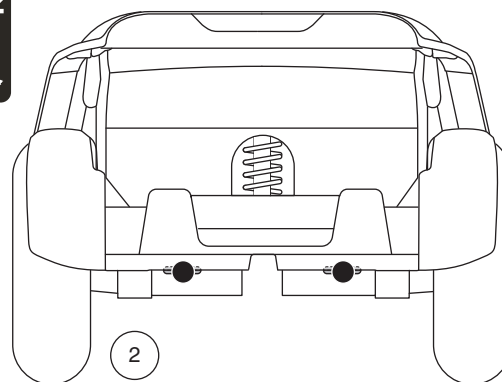
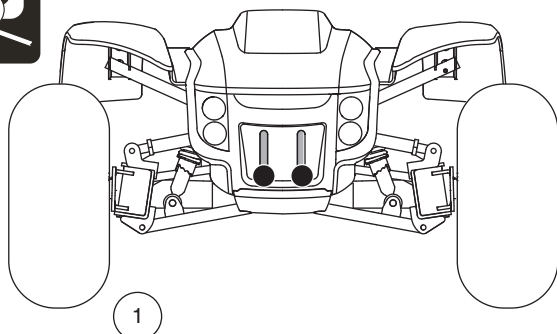


Figura 9. Puntos de sujeción (identificados con puntos negros)



# III. BATERÍAS Y SU CARGA

## BATERÍAS Y SU CARGA

El vehículo utiliza dos baterías de ciclo profundo y larga duración de 12 voltios, selladas y libres de mantenimiento. Se recargan mediante el cargador externo suministrado.

- Cargue las baterías de su vehículo durante al menos 8 a 14 horas antes de usarlo por primera vez.
- Mantenga las baterías completamente cargadas para mantener su vehículo funcionando sin problemas.

El indicador de batería de la consola muestra la potencia aproximada de las baterías. Para obtener la mayor precisión, compruebe el indicador de baterías conduciendo el vehículo a velocidad máxima, sobre una superficie plana y seca. Ver la figura 10.

## RECHARGE DES BATTERIES



**¡PROHIBIDO!** No quite el contacto de tierra del enchufe para evitar cualquier riesgo eléctrico. Si su toma de corriente tiene únicamente 2 orificios, instale un adaptador de 3 contactos adecuado.



**¡PROHIBIDO!** No conecte cables de prolongación al cable del cargador de batería, ya que podría provocar un riesgo eléctrico.



**¡PROHIBIDO!** Mientras las baterías se cargan, no deje que los niños jueguen cerca del vehículo sin supervisión. Le recomendamos no cargar las baterías mientras la vehículo esté ocupada.



**¡OBLIGATORIO!** Antes de cargar las baterías, lea las instrucciones de carga en este manual y en el manual suministrado con el cargador de batería.



**¡ADVERTENCIA!** Durante el cargado de baterías se pueden generar gases explosivos. Mantenga su vehículo y el cargador alejados de fuentes ignífugas como llamas o chispas, y proporcione una ventilación adecuada durante el cargado de baterías.

**¡ADVERTENCIA!** Utilice el cargador externo suministrado para recargar las baterías de su vehículo. No utilice los cargadores utilizados en los automóviles.

**¡ADVERTENCIA!** Antes de cada uso, compruebe el estado de cargador, cables y conectores. Contacte con su comerciante autorizado si encontrara algún daño.



**¡ADVERTENCIA!** No intente abrir la carcasa del cargador de batería. Si el cargador no funcionara correctamente, contacte con su comerciante autorizado.

**¡ADVERTENCIA!** Si el cargador de batería externo viene equipado con ranuras de ventilación, no obstruya el paso de dichas ranuras.

**¡ADVERTENCIA!** Tenga en cuenta que la carcasa del cargador puede acabar recalentándose durante el cargado. Evite todo contacto con la piel y no deje el cargador sobre superficies a las que pueda afectar el calor.



**¡ADVERTENCIA!** Salvo que su cargador haya sido probado y aprobado para exteriores, no lo exponga a condiciones ambientales extremas o adversas. Si hubiera sido expuesto a condiciones ambientales extremas o adversas, deberá dejarlo adaptarse a las nuevas condiciones en interiores antes de volver a utilizarlo. Para más información, consulte el manual suministrado con su cargador de batería.

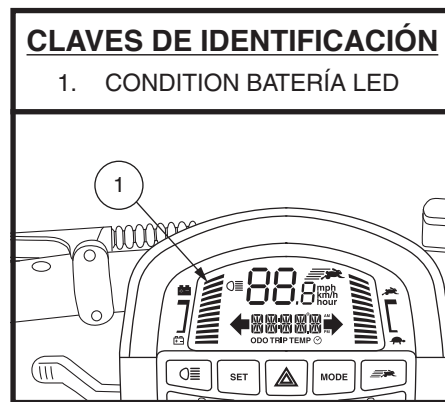


Figura 10. Indicador de Batería

# III. BATERÍAS Y SU CARGA

Para cargar las baterías de forma segura con el cargador externo:

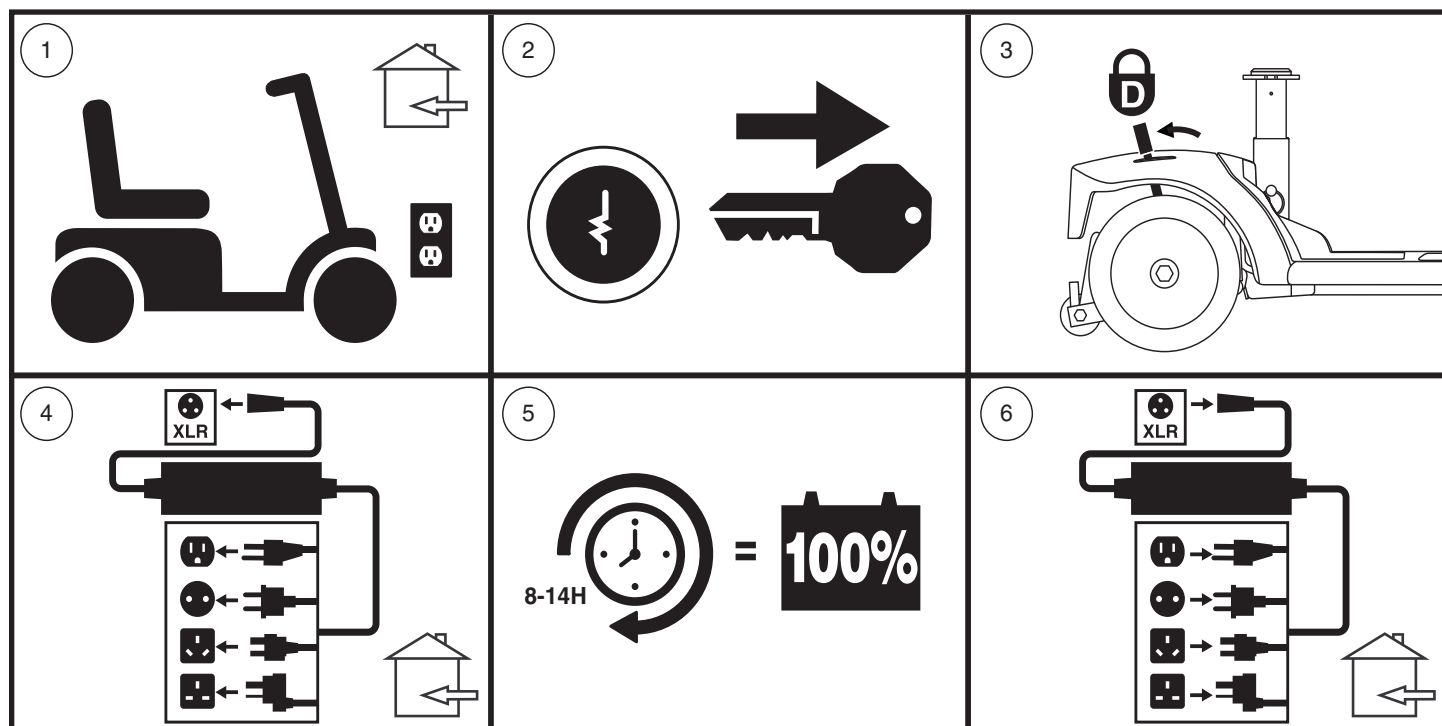


Figura 11. Diagrama del procedimiento de carga de las baterías



**¡ADVERTENCIA!** Los indicadores LED en el cargador indican los diferentes estados de carga en cada momento. Si al cabo de 24 horas, el LED sigue sin indicar una carga completa, desenchufe el cargador de la toma de corriente y póngase en contacto con su comerciante. Para saber más sobre estos indicadores, consulte la etiqueta del cargador.

**NOTA:** El vehículo dispone de un bloqueador del cargador. Ni el vehículo ni el indicador de batería funcionarán mientras se estén cargando las baterías.

## PREGUNTAS MÁS FRECUENTES (P+F)

### ¿Cómo funciona el cargador?

Cuando el nivel de voltaje de las baterías es bajo, el cargador trabaja más duro, enviando más corriente eléctrica a las baterías para llenarlas. Cuando están casi totalmente cargadas, el cargador envía cada vez menos corriente eléctrica. Una vez cargadas completamente, la corriente enviada por el cargador baja hasta un amperaje cercano al cero. Por ello, cuando el cargador está enchufado, mantiene el nivel de carga de las baterías de su vehículo PMR, pero sin sobrecargarlas. Para las instrucciones sobre el cargado de baterías, consulte el manual suministrado con el cargador.

### ¿Puedo utilizar otro tipo de cargador?

Los cargadores varían en función de los usos, y están específicamente adaptados al tipo, tamaño y formulación química de unas determinadas baterías. Para conseguir un cargado más eficiente y seguro de las baterías de su vehículo, utilice únicamente el cargador suministrado con el equipo original de su producto. Queda prohibido cualquier método de carga en el que se carguen las baterías individualmente.

### ¿Por qué no consigo cargar las baterías de mi vehículo?

- Compruebe que los cables de batería negro (-) y rojo (+) estén conectados correctamente a los bornes de batería.
- Asegúrese de que los dos arneses de la batería que se extienden desde las baterías estén enchufados en su arnés de acoplamiento que conduce al cargador.
- Compruebe que ambos extremos del cable de alimentación del cargador estén bien conectados.



## III. BATERÍAS Y SU CARGA

### ¿Con qué frecuencia debo recargar las baterías?

Para determinar con qué frecuencia debe cargar las baterías, tenga en cuenta estos dos factores principales:

- Utilización intensiva a diario.
- Uso infrecuente o esporádico.

Teniendo en cuenta esto, podrá determinar con qué frecuencia y durante cuánto tiempo debe cargar las baterías de su vehículo. El cargador de batería está pensado para no sobrecargar las baterías del vehículo. No obstante, puede tener problemas si no recarga las baterías con la frecuencia requerida o regularmente. Para obtener un cargado y un funcionamiento seguros y fiables, observe las siguientes consignas.

- Si utiliza el vehículo a diario, recargue las baterías al finalizar el día. Así, estará listo a la mañana siguiente. Si lo utiliza diariamente, le recomendamos que deje cargando las baterías de por lo menos 8 a 14 horas cada día. Recomendamos dejar cargando las baterías durante 4 horas más después de que el indicador muestre que la carga ha sido completada.
- Si lo utiliza una vez a la semana o menos, cárguelas al menos una vez a la semana durante por lo menos 24 horas.

**NOTA:** Mantenga siempre las baterías cargadas y no deje que se descarguen completamente. Para las instrucciones sobre el cargado de baterías, consulte el manual suministrado con el cargador. Para mejorar el rendimiento y la vida de sus baterías, nosotros recomendamos cargar las baterías durante al menos 48 horas seguidas una vez al mes.

### ¿Cómo puedo obtener el máximo rendimiento por carga?

En general, las situaciones ideales de conducción (terreno liso, plano y firme, sin viento, ni curvas o pendiente) son infrecuentes. En la mayoría de los casos, encontrará pendientes, ranuras en aceras, superficies mal pavimentadas y curvas. Estos factores afectan a la distancia que puede recorrer (la duración de las baterías).

- Antes de usarlas, cargue completamente las baterías.
- Mantenga pero no supere la presión de aire en psi/bares/kPa indicada en cada rueda.
- Planee su trayecto para evitar en lo posible pendientes y superficies blandas o irregulares.
- Limite el equipaje a los artículos imprescindibles.
- Intente mantener una velocidad constante cuando el vehículo esté en movimiento.
- Evite avanzar a trompicones.
- Para mejorar el rendimiento y la vida de sus baterías, le recomendamos cargar las baterías durante al menos 48 horas seguidas una vez al mes.
- Compruebe que todos los cables estén conectados correctamente.

### ¿Cómo puedo lograr la máxima vida para mis baterías?

Una batería de ciclo profundo completamente cargada es una garantía de larga vida y alto rendimiento. Siempre que sea posible, mantenga las baterías de su vehículo completamente cargadas. Proteja su vehículo y las baterías del calor y el frío extremos. Las baterías que se dejan descargar con frecuencia, no se cargan con regularidad, se guardan bajo temperaturas extremas o antes de haberlas recargado completamente pueden dañarse de forma permanente, afectando al funcionamiento del producto y limitando la vida de las mismas.

**NOTA:** Para prolongar la autonomía de las baterías, apague el vehículo y extraiga la llave de contacto siempre que no lo esté utilizando.

### ¿Qué tipo de baterías debo utilizar?

Le recomendamos las baterías de ciclo profundo que vienen selladas y no necesitan mantenimiento. Tanto las baterías AGM como las de gel son baterías de ciclo profundo, y su rendimiento es similar. No utilice baterías líquidas, con tapas extraíbles.



**¡ADVERTENCIA!** Las baterías están fabricadas con materiales químicos corrosivos. Utilice únicamente baterías de gel o AGM; reducirá así los riesgos de derrame o explosión.

**NOTA:** Las baterías selladas no requieren mantenimiento. No levante las tapas.

## III. BATERÍAS Y SU CARGA

### ¿Por qué mis baterías nuevas no rinden al máximo?

Las baterías de ciclo profundo utilizan una tecnología química distinta de las baterías para coches, las de níquel-cadmio u otros tipos de baterías. Las baterías de ciclo profundo están especialmente diseñadas para proporcionar energía, ir agotando su carga y luego permitir una recarga relativamente rápida.

Nos trabajamos en estrecha colaboración con el fabricante de nuestras baterías para ofrecerle la batería que mejor se adapta a su vehículo. Nuevas baterías llegan continuamente y son reexpedidas una vez que han sido cargadas. Durante el transporte, las baterías son expuestas a temperaturas extremas que pueden influir en su rendimiento inicial. El calor puede disminuir su carga, y el frío ralentizar la energía disponible y alargar el tiempo necesario para volver a cargar la batería (lo mismo que ocurre en el automóvil).

Serán necesarios unos cuantos días para que la temperatura de las baterías del vehículo se estabilice y adapte a la nueva temperatura ambiente. Por otra parte, deberán pasar varios ciclos de carga (vaciado parcial seguido de recarga completa) antes de lograr el equilibrio químico esencial para obtener el máximo rendimiento y duración de una batería de ciclo profundo.

### Siga estos pasos para “rodar” correctamente las nuevas baterías de su vehículo y obtener así la máxima eficacia y duración:

1. Cargue completamente las baterías nuevas antes de utilizarlas por primera vez. Con este ciclo de carga conseguirá que rindan al 88% de su nivel máximo.
2. Maneje su nuevo vehículo por zonas seguras y familiares. Al principio, conduzca despacio y no vaya demasiado lejos de su casa o entornos habituales hasta que no se haya acostumbrado a los controles del vehículo y haya rodado correctamente las baterías.
3. Recargue completamente las baterías. Así, conseguirá que rindan a más del 90% de su nivel máximo.
4. Conduzca de nuevo su vehículo, y vuelva a recargar completamente las baterías.
5. Tras cuatro o cinco ciclos de carga, las baterías podrán recibir una carga del 100% de su nivel máximo de rendimiento y durarán más tiempo.

### Utilización del transporte público

Las baterías de gel y AGM están diseñadas para su uso en motos y otros vehículos motorizados. Estas baterías son la Administración Federal de Aviación (FAA), aprobado (sólo en los EE.UU.), lo que permite un transporte seguro en aviones, autobuses y trenes, ya que no hay peligro de derrame o fuga. Si va a utilizar el transporte público, por favor póngase en contacto previamente con la compañía para cumplir con sus requisitos específicos.

### ¿Cómo se cambian las baterías de mi vehículo?



**¡OBLIGATORIO! Los bornes, terminales de batería y otros accesorios contienen compuestos de plomo. Durante la manipulación, póngase gafas y guantes, y lávese las manos después.**



**¡PROHIBIDO! Use siempre tres baterías que sean idénticas, del mismo tipo, composición química y capacidad nominal (Ah). Consulte el cuadro de especificaciones de este manual y del manual suministrado con el cargador para saber el tipo de batería recomendado y su capacidad nominal.**

**¡ADVERTENCIA! No mezcle baterías viejas y nuevas. Cambie siempre las tres baterías al mismo tiempo.**



**¡ADVERTENCIA! Si tiene alguna duda acerca de las baterías de su vehículo, no dude en contactar con su comerciante autorizado.**

**¡ADVERTENCIA! No manipule las baterías con el asiento ocupado.**

**¡ADVERTENCIA! Las baterías de su vehículo únicamente podrán ser mantenidas o reemplazadas por un comerciante autorizado o un técnico cualificado.**

# III. BATERÍAS Y SU CARGA



**¡PROHIBIDO! Evite el contacto de herramientas y otros objetos metálicos con los terminales de batería. El contacto con herramientas puede producir descargas eléctricas.**

Para cambiar las baterías, necesitará las siguientes herramientas:

- llaves de tubo con trinquete estándar y métricas
- llave inglesa



**¡ADVERTENCIA! No levante pesos por encima de sus capacidades físicas. En caso necesario, pida ayuda para montar o desmontar el vehículo.**

**¡ADVERTENCIA! No tire directamente de los cables eléctricos para desconectarlos del vehículo. Sujete siempre por el conector del cable para evitar cualquier daño a la hora de desenganchar los cables.**

Para cambiar las baterías su vehículo:

1. Retire el asiento levantándolo en línea recta y sacándolo del vehículo. Si encuentra resistencia al retirar el asiento, desenganche la palanca de rotación del asiento y gire el asiento hacia atrás y hacia adelante mientras levanta el asiento.
2. Retire la cubierta trasera quitando los dos (2) tornillos de mariposa que la fijan al chasis del vehículo, y luego levante la cubierta en forma recta hacia arriba retirándola del vehículo. **Ver la figura 12.**
3. Retire la cubierta de la batería quitando los cuatro (4) tornillos de mariposa que la fijan al chasis del vehículo, y luego levante la cubierta en forma recta hacia arriba retirándola del vehículo. **Ver la figura 12.**
4. Desconecte la cincha(s) de amarre de las baterías.
5. Desconecte los cables de batería de los terminales de batería deslizando hacia atrás las cubiertas de las terminales y desenroscando la tuerca del tornillo. **Ver la figura 14.**
6. Extraiga las baterías viejas.
7. Coloque una nueva batería en los contenedores correspondientes siguiendo el diagrama de conexiones que aparece en la **figura 15.**

**NOTA:** Los modelos usan cinchas para batería para fijar las baterías a los espacios destinados a las baterías. Por favor, vea figuras 13 y 14 para conocer los procedimientos de instalación de cinchas de batería.

8. Conecte el cable rojo de batería al borne positivo (+).
9. Conecte el cable negro de batería al borne negativo (-).
10. Vuelva a colocar los capuchones sobre los bornes.
11. Vuelva a colocar las cinchas de amarre.
12. Coloque de nuevo la carrocería posterior y el asiento.

**NOTA:** Si alguna batería está dañada o agrietada, guárdela inmediatamente en una bolsa plástica y llame a su comerciante autorizado para saber dónde debe tirarla. Su comerciante autorizado dispondrá además de la información necesaria sobre reciclado de baterías, que es lo que nosotros recomendamos.

## CLAVES DE IDENTIFICACIÓN

1. TORNILLO DE MARIPOSA
2. CUBIERTA TRASERA
3. CUBIERTA DE LA BATERÍA

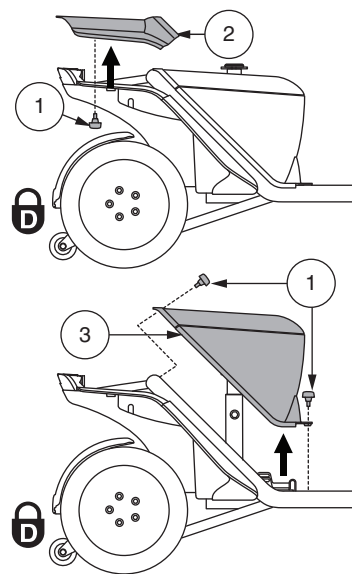


Figura 12. Remoción de la cubierta trasera/Instalación

# III. BATERÍAS Y SU CARGA

## CLAVES DE IDENTIFICACIÓN

1. BOTÓN DISYUNTOR/REINICIO
2. BORNES DE BATERÍA BAJO CAPUCHONES
3. CORREAS DE AMARRE DE LA BATERÍA

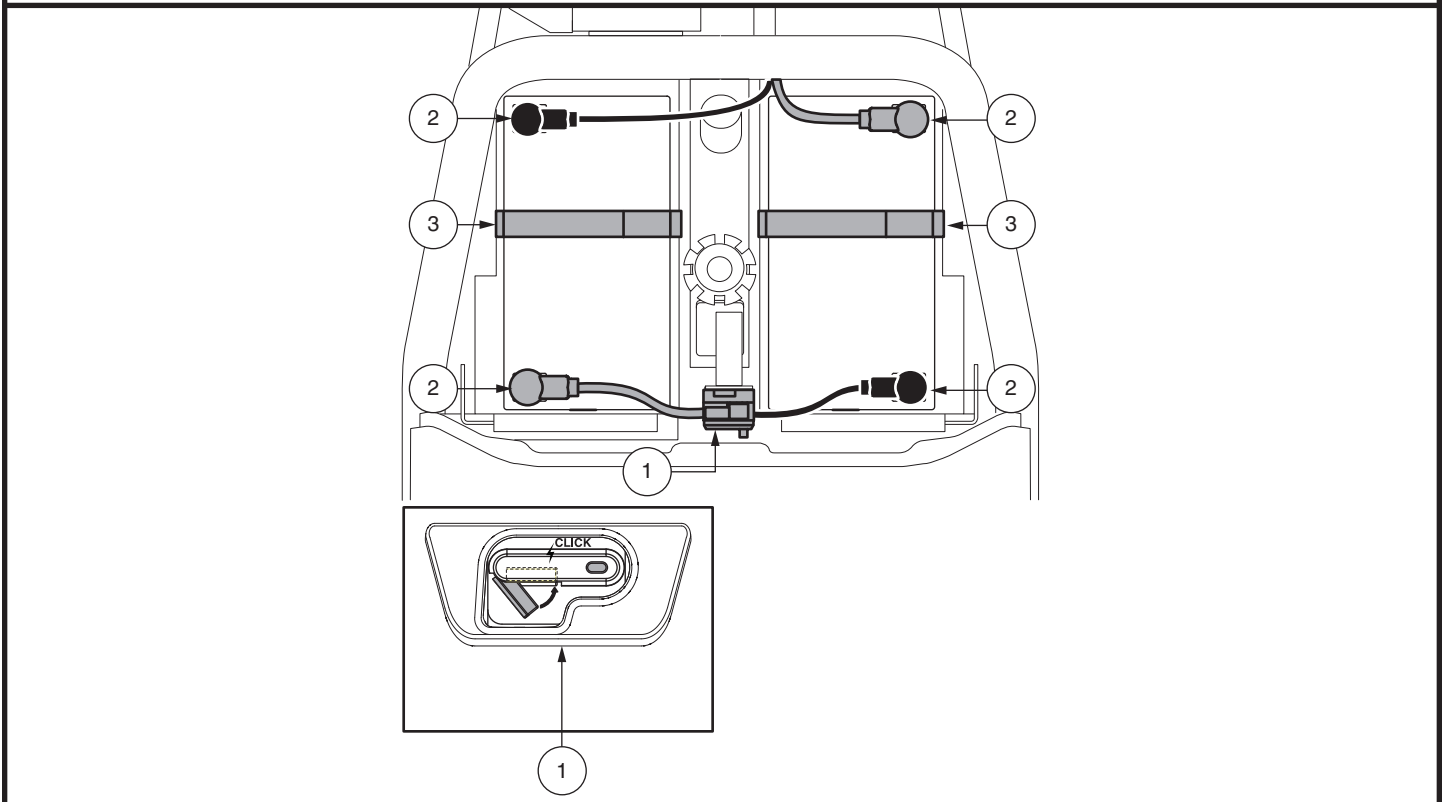


Figura 13. Remoción de la batería / Instalación de Terminales y Conexiones

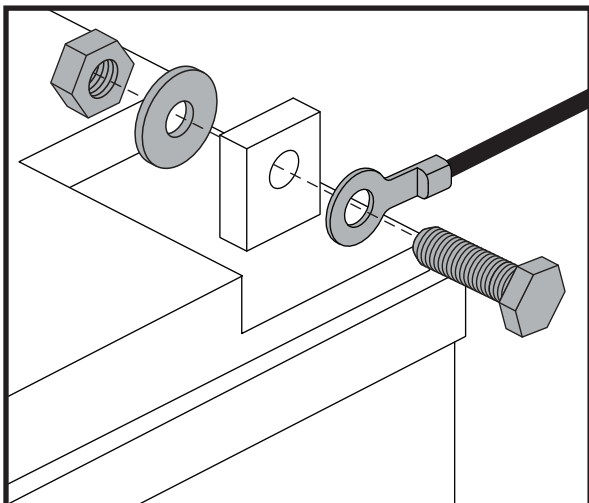


Figura 14. Equipo Terminal de la Batería

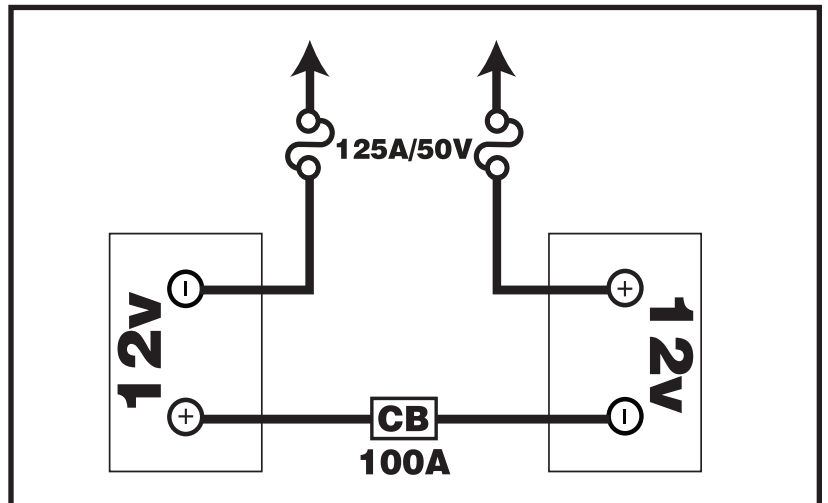


Figura 15. Orientación de los cables de batería

# III. BATERÍAS Y SU CARGA

## Amarre de baterías y colocación de cinchas

1. Amarre las baterías a los espacios destinados para las baterías colocando las cinchas de batería provistas a través de las ranuras de los espacios destinados a las baterías, tal como se muestra.
2. Asegúrese de que la cincha corta corra sobre la parte superior de la cincha larga.

**NOTA:** Antes de amarrar ambas cinchas, asegúrese que el anillo en D estén ubicados como se indica aquí. El anillo en D debe estar ubicado aproximadamente a 1 pulgada (2.54 cm) de distancia del espacio de la batería, pero nunca debe tocarlo.

3. Cualquier exceso de cincha debe ser ubicado mirando hacia la parte trasera, o junto al asiento, del vehículo.



**¡ADVERTENCIA!** Las cinchas de la batería nunca se deben colocar debajo de la batería.

## CLAVES DE IDENTIFICACIÓN

1. AJUSTADOR REUTILIZABLE
2. TERMINAL DE LA BATERÍA
3. CORREA CORTA
4. ANILLO EN D

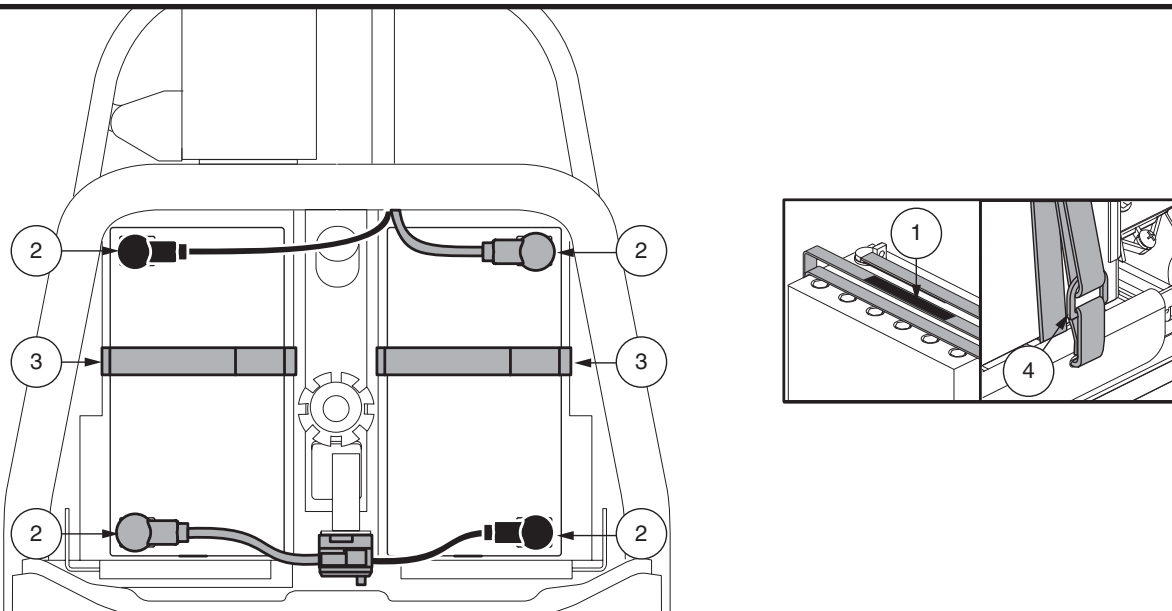


Figura 16. Diagrama de la correa de la batería

# IV. FUNCIONAMIENTO

## ANTES DE MONTAR EN EL VEHÍCULO

- ¿Ha cargado las baterías completamente? Capítulo III, “Baterías y su carga”.
- ¿Está la palanca manual en el modo conducción (hacia atrás)? A menos que quiera empujar manualmente su vehículo, nunca deje la palanca manual hacia delante.



**¡ADVERTENCIA! Recomendamos que use un casco de seguridad aprobado por el DOT en todo momento cuando opere su PMV. Al igual que con cualquier tipo de vehículo, es responsabilidad del usuario contribuir a su propia seguridad al adherirse a las leyes federales, estatales y locales aplicables, así como a las leyes establecidas específicamente para la operación de PMV. De lo contrario, pueden producirse lesiones personales.**

## AL MONTAR EN EL VEHÍCULO

1. Asegúrese de sacar la llave de la cerradura de contacto.



**¡ADVERTENCIA! Nunca intente subir o bajar de su vehículo sin antes quitar la llave de la cerradura de contacto. Así, evitará que el vehículo se mueva si accidentalmente acciona la palanca aceleradora.**

2. Colóquese a un lado del vehículo.
3. Afloje la palanca de bloqueo del asiento y gire éste de forma que quede mirando hacia usted.
4. Compruebe que el asiento esté firme y no se mueva.
5. Siéntese con cuidado y póngase cómodo en el asiento.
6. Afloje la palanca de bloqueo del asiento y gire éste hasta quedar mirando al frente.
7. Compruebe que el asiento esté firme y no se mueva.
8. Asegúrese de que sus pies estén apoyados correctamente en el piso del vehículo.

## AJUSTES Y CONTROLES PREVIOS

- ¿Está el asiento a la altura adecuada? Consulte el Capítulo V, “Optimizar el confort”.
- ¿Está el asiento bien sujeto en su sitio?
- ¿El manillar está en una posición cómoda y bien sujeto en su sitio? Capítulo V, “Optimizar el confort”.
- ¿La llave está completamente insertada en la cerradura de contacto y girada en sentido horario hacia la posición “on”?
- ¿El claxon de vehículo funciona correctamente?
- ¿El camino por el que va a circular está libre de gente, animales y obstáculos?
- ¿Ha planeado su itinerario para evitar superficies irregulares y todas las pendientes que pueda?

## MANEJO DEL VEHÍCULO

**¡ADVERTENCIA! Lo siguiente podría afectar negativamente a la dirección y estabilidad mientras conduce su vehículo:**

- Sujetar o llevar atada una correa para pasear a su mascota.
- Llevar pasajeros (incluidas mascotas).
- Colgar cualquier artículo del manillar.
- Remolcar o ser remolcado por otro vehículo motorizado.



**¡ADVERTENCIA! ¡Peligro de vuelco! Evite hacer maniobras bruscas a velocidad excesiva. Se recomienda ajustar el regulador de velocidad a la posición más baja hasta que se familiarice con los controles y el funcionamiento del vehículo.**

**¡ADVERTENCIA! Las distancias de frenado del vehículo son mayores en una pendiente.**

**¡ADVERTENCIA! Mantenga siempre ambas manos en el manillar y sus pies en el piso del vehículo mientras maneje el vehículo. Esta posición de conducción le garantiza el mayor control sobre su vehículo.**

- Seleccione la velocidad máx. deseada con el regulador de velocidad.
- Empuje o tire del lado correcto de la palanca de control de aceleración.
- El freno de disco electromecánico de estacionamiento se desactiva automáticamente y el vehículo acelera suavemente hasta la velocidad preseleccionada con el regulador de velocidad.

## IV. FUNCIONAMIENTO

- Tire del puño izquierdo para dirigir el vehículo hacia la izquierda.
- Tire del puño derecho para dirigir el el vehículo hacia la derecha.
- Mueva el manillar a la posición central para circular todo recto.
- Para detenerse, suelte suavemente la palanca aceleradora. Los frenos electrónicos se activan automáticamente al detenerse el vehículo.

**NOTA:** *La velocidad marcha atrás del vehículo es más lenta que la velocidad hacia delante preseleccionada en el regulador de velocidad o en el panel de control LCD.*

### PARA BAJAR DEL VEHÍCULO

1. Detenga completamente el vehículo.
2. Saque la llave de la cerradura de contacto.



**¡ADVERTENCIA!** Nunca intente subir o bajar de su vehículo sin antes quitar la llave de la cerradura de contacto. Así, evitará que el vehículo se mueva si accidentalmente acciona la palanca aceleradora.

3. Afloje la palanca de bloqueo del asiento y gire éste hasta quedar mirando hacia un lateral del vehículo.
4. Compruebe que el asiento esté firme y no se mueva.
5. Con cuidado, bájese del asiento y colóquese a un lado del vehículo.
6. Puede dejar el asiento mirando hacia un lateral para que la próxima vez le sea más fácil subirse al vehículo.

### TEMPORIZADOR DE DESCONEXIÓN

El vehículo está equipado con un temporizador automático de ahorro de energía diseñado para prolongar la autonomía de las baterías del vehículo. Si por algún error deja la llave en la cerradura de contacto en la posición “on”, pero no utiliza el vehículo durante uno 20 minutos, el regulador del vehículo se apagará automáticamente. A pesar de que el regalador está apagado, se seguirá suministrando energía al sistema de iluminación del vehículo.

**Siga los pasos siguientes para retomar el funcionamiento normal tras la activación del temporizador de desconexión:**

1. Saque la llave de la cerradura de contacto.
2. Vuelva a introducir la llave y encienda el vehículo.



# V. OPTIMIZAR EL CONFORT

## AJUSTE DEL ÁNGULO DEL MANILLAR

**¡ADVERTENCIA!** Saque la llave de la cerradura de contacto antes de ajustar el manillar o el asiento. Nunca intente ajustar el manillar o el asiento con el vehículo en movimiento.



**¡ADVERTENCIA!** Antes de operar el vehículo, presione y jale el manillar para garantizar que el mecanismo de ajuste del ángulo esté seguro. Inspeccione el pomo de ajuste del manillar y el mecanismo de ajuste del ángulo para garantizar que estén completamente acoplados. Si ha movimiento en el manillar, contrólole para asegurarse de que el pomo de ajuste del manillar esté completamente ajustado.

Su vehículo está equipado con un timón giratorio ajustable.

1. Apretar la palanca de ajuste del timón. Ver figura 17
2. Mueva el timón a una posición cómoda.
3. Suelte la palanca de ajuste del timón.

**NOTA:** Para poder bajar completamente el timón con fines de desmontaje o transporte, primero debe retirar completamente el asiento. Ver VI. “Desmontaje y montaje”.

**NOTA:** Gire los reposabrazos hacia arriba para ayudar a subir y bajar su vehículo.

## POSICIÓN DEL RETROVISOR

Para instalar el/los retrovisor/es (ver la figura 18):

1. Elija un lateral donde colocarlo y retire el tapón de goma de la parte superior de la empuñadura.
2. Introduzca el extremo fileteado del soporte de retrovisor en la abertura y gírelo en sentido horario hasta que quede acoplado.
3. En caso necesario, gire la tuerca en sentido horario para sujetar el retrovisor en su sitio.

### Ajuste del retrovisor:

1. Siéntese en el vehículo mirando hacia delante.
2. Ajuste el retrovisor a izquierda, derecha, arriba o abajo hasta conseguir un buen ángulo de visión posterior.

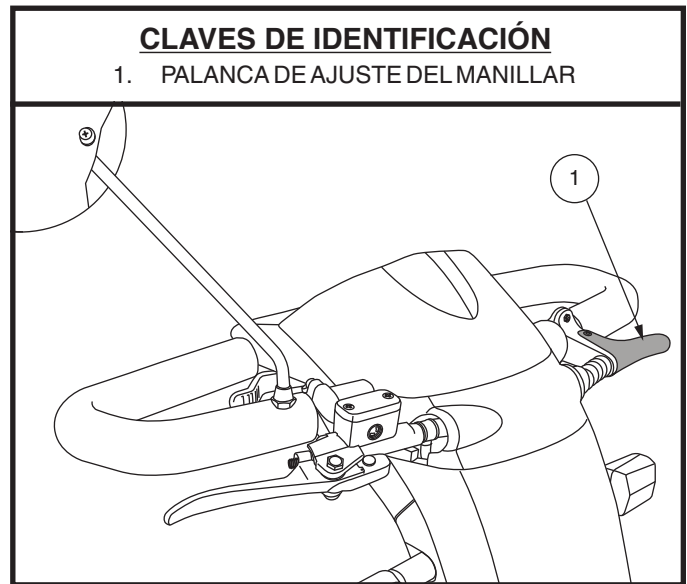


Figura 17. Palanca de Ajuste del Manillar

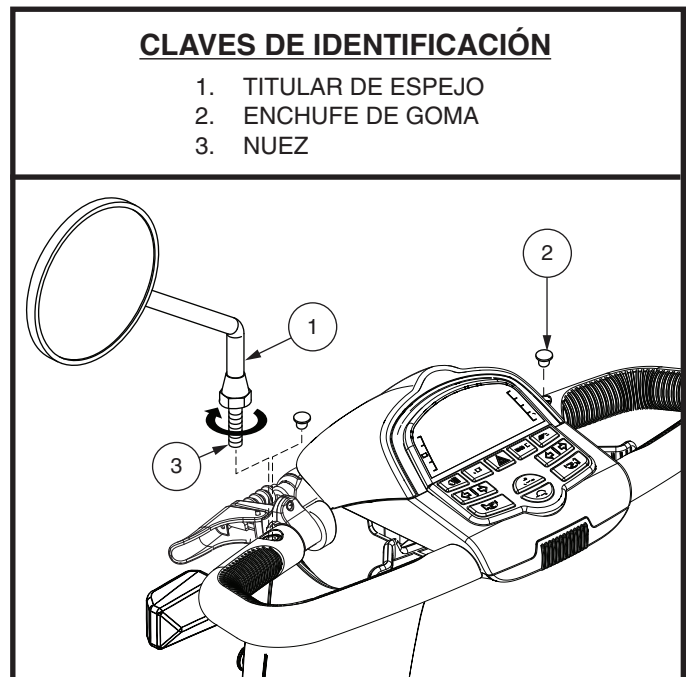


Figura 18. Instalación de Espejo y Posicionamiento



# V. OPTIMIZAR EL CONFORT

## REGULACIÓN DEL RESPALDO



**¡ADVERTENCIA! No conduzca el vehículo con el respaldo en posición reclinada.**

**¡ADVERTENCIA! Mantenga siempre su espalda apoyada firmemente contra el respaldo mientras ajusta este ángulo.**

Para ajustar el asiento reclinable de su vehículo, siga los siguientes pasos. **Ver la figura 19.**

1. Con la espalda apoyada contra el respaldo, levante la palanca de ajuste del respaldo e inclínese adelante o atrás para ajustar el ángulo del respaldo.
2. Suelte la palanca de ajuste del respaldo una vez encontrada la posición de conducción deseada.

## AJUSTE DE LA POSICIÓN DEL ASIENTO (ROTACIÓN)

La palanca de rotación ajusta el asiento en varias posiciones.

1. Dependiendo del tipo de asiento, tire hacia arriba o tire hacia arriba de la palanca de bloqueo para desbloquear el asiento. **Ver la figura 19.**
2. Gire el asiento hasta la posición deseada.
3. Suelte la palanca de bloqueo para que el asiento recupere su sitio.

## AJUSTE DE LA POSICIÓN DEL ASIENTO (ADELANTE-ATRÁS)

Puede colocar el asiento más hacia delante o hacia atrás para ajustar la distancia entre el asiento y el manillar.

1. Mueva la palanca de deslizamiento hacia fuera. **Ver la figura 19.**
2. Mientras sujeta la palanca hacia fuera, deslice el asiento adelante o atrás.
3. Suelte la palanca de deslizamiento una vez alcanzada la posición deseada.

## AJUSTE DEL ÁNGULO DE LOS REPOSABRAZOS

El ángulo del reposabrazos de su vehículo puede ajustarse arriba o abajo girando el reposabrazo. **Ver la figura 19.** Gire el ajuste del reposabrazos hacia la izquierda para bajar el ángulo del reposabrazos o hacia la derecha para subir el ángulo del reposabrazos.

**NOTA:** Levante los reposabrazos de forma que pueda subir y bajar más fácilmente del vehículo.

## SOPORTE ACCESORIO

El soporte de montaje trasero le permite colocar un accesorio personal, como una cesta, un soporte para andador, o un tanque de oxígeno en la parte trasera del vehículo. Utilice el pasador de retención para montar de forma segura sus accesorios en el soporte. **Ver la figura 19.** Consulte con su comerciante autorizado para más detalles.

### CLAVES DE IDENTIFICACIÓN

1. PALANCA DE AJUSTE DEL RESPALDO
2. PALANCA DE ROTACIÓN
3. PALANCA DESLIZANTE
4. SOPORTE ACCESORIO
5. POMO DE AJUSTE

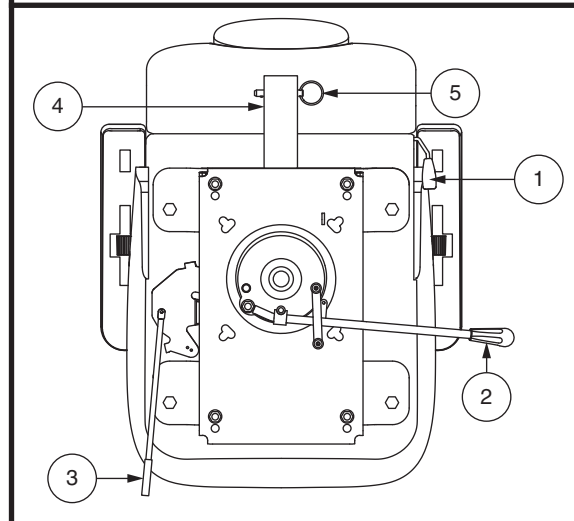


Figura 19. Ajustes en el asiento

## V. OPTIMIZAR EL CONFORT

### Ajuste de la altura del asiento

El asiento puede colocarse a diferentes alturas (ver la figura 20).

1. Retire el asiento y la carrocería trasera del vehículo. Consulte el capítulo VI, “Desmontaje y montaje”.
2. Extraiga el perno de regulación de altura del asiento.
3. Suba o baje la parte superior de la torre del asiento hasta lograr la altura deseada.
4. Sujetando la parte superior de la torre a esa altura, haga coincidir los orificios de posición en la parte superior e inferior de la torre.
5. Introduzca el perno de regulación de altura por los orificios de posición superior e inferior de las torres.
6. Vuelva a colocar la tuerca del perno de regulación de altura y apriete.
7. Coloque la carrocería posterior y el asiento.

### CINTURÓN DE SEGURIDAD (OPCIONAL)

El asiento de su vehículo puede estar equipado con un cinturón de seguridad, similar al de los automóviles, que ayuda a mejorar el confort del usuario. La función del cinturón de seguridad es evitar que se deslice hacia delante o abajo en el asiento. El cinturón no está diseñado para limitar los movimientos.

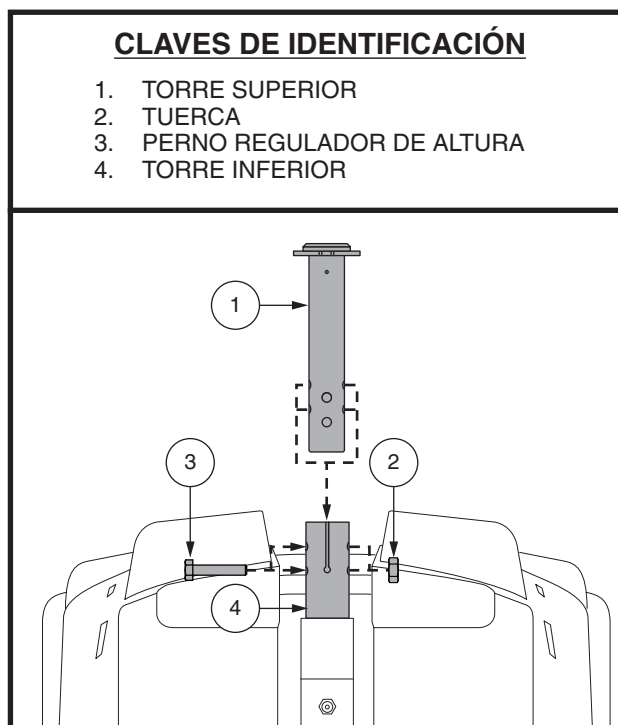


Figura 20. Altura del asiento



**¡ADVERTENCIA! Este cinturón no está pensado para ser utilizado dentro de un automóvil. El vehículo tampoco podrá utilizarse como si fuera el asiento de otro vehículo. Las personas que viajen en un automóvil deben utilizar los cinturones diseñados por el fabricante.**

**¡ADVERTENCIA! Deberá llevar abrochado el cinturón de seguridad en todo momento. No deje que el cinturón cuelgue o arrastra por el suelo ya que podría enredarse con las ruedas.**

### Para instalar el cinturón de seguridad (en caso necesario):

1. Retire el asiento de su vehículo.
2. Dé la vuelta al asiento para ver la parte inferior del mismo. Ver la figura 21.
3. Utilice una llave para quitar los dos tornillos que sujetan la parte trasera del bastidor del asiento a la base.
4. Introduzca el tornillo a través de las extremidades correspondientes del cinturón de seguridad y luego vuelva a colocar los tornillos en la estructura del asiento.
5. Apriete los tornillos.

## V. OPTIMIZAR EL CONFORT

### Cinturón de seguridad con hebilla de metal

Para ajustar el cinturón de seguridad y mejorar el confort del usuario:

1. Introduzca la aleta metálica del lado derecho del cinturón en el cuadro de plástico del lado izquierdo y presione hasta oír un clic. **Ver la figura 21.**
2. Tire de la correa del lado derecho del cinturón hasta encontrar una posición segura y cómoda que no le apriete demasiado.

Para desabrochar el cinturón de seguridad:

1. Presione el mecanismo de botón en la carcasa plástica.

**¡OBLIGATORIO!** Antes de cada utilización, asegúrese de que el cinturón de seguridad esté bien sujeto al vehículo y esté adaptado para el usuario.



**¡OBLIGATORIO!** Antes de utilizar el vehículo, compruebe que el cinturón de seguridad no tenga ninguna pieza dañada, demasiado gastada, con polvo o suciedad, y que el pestillo de cierre esté en perfectas condiciones. Si encuentra algún problema, póngase en contacto con su comerciante autorizado para su mantenimiento o reparación.

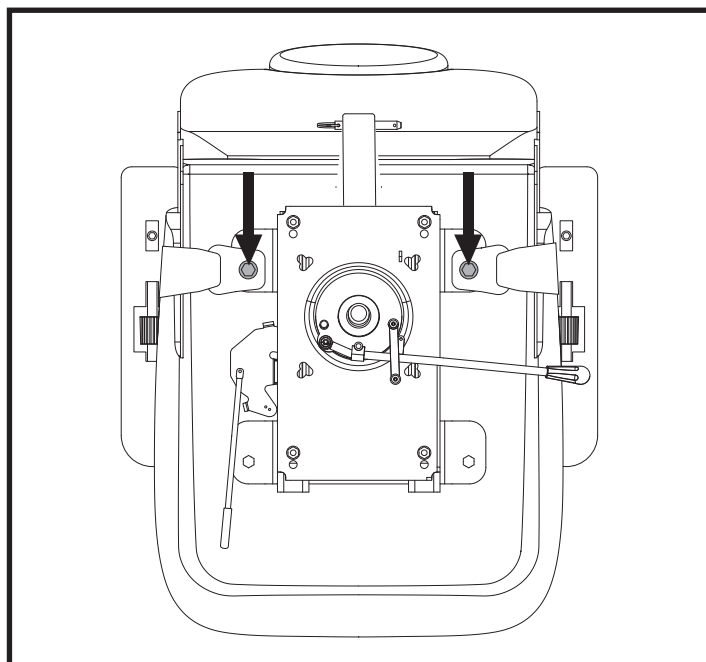


Figura 21. Tornillos del cinturón de seguridad

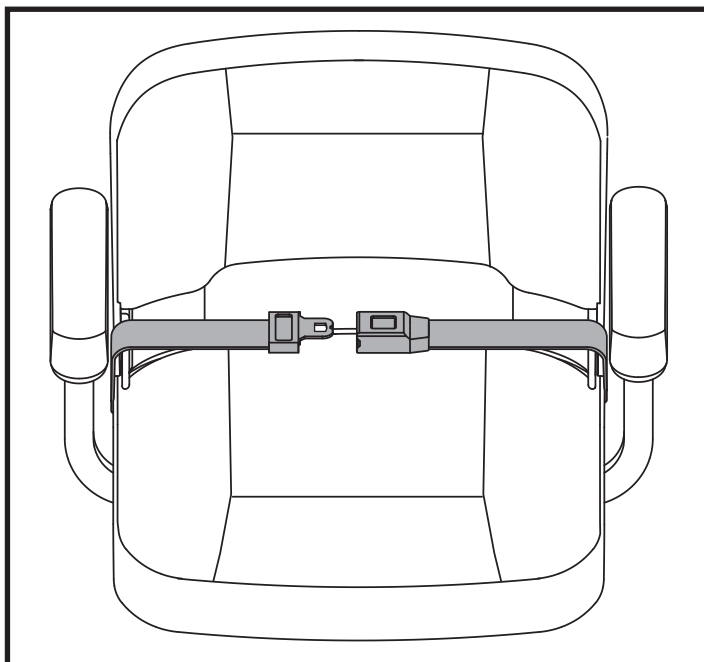


Figura 22. Cinturón de seguridad–hebilla de metal o sistema de cierre de tipo velcro

# VI. DESMONTAJE/MONTAJE

## DESMONTAJE

Puede desmontar el vehículo en varias piezas: el asiento, la base del vehículo, las baterías y la cubierta de las baterías. **Ver la figura 23.** No se necesitan herramientas para montar o desmontar el vehículo. Para el montaje o desmontaje, coloque el vehículo sobre una superficie plana y seca, y consuficiente espacio para poder trabajar. Recuerde que algunas piezas del vehículo son pesadas y puede que necesite ayuda para levantarlas.



**¡ADVERTENCIA! No levante pesos encima de sus capacidades físicas. En caso necesario, pida ayuda para montar o desmontar su vehículo.**

**¡ADVERTENCIA! No levante el asiento o cogiéndolo por los reposabrazos, ya que pueden girar sobre su eje y hacerle perder el control de la vehículo.**

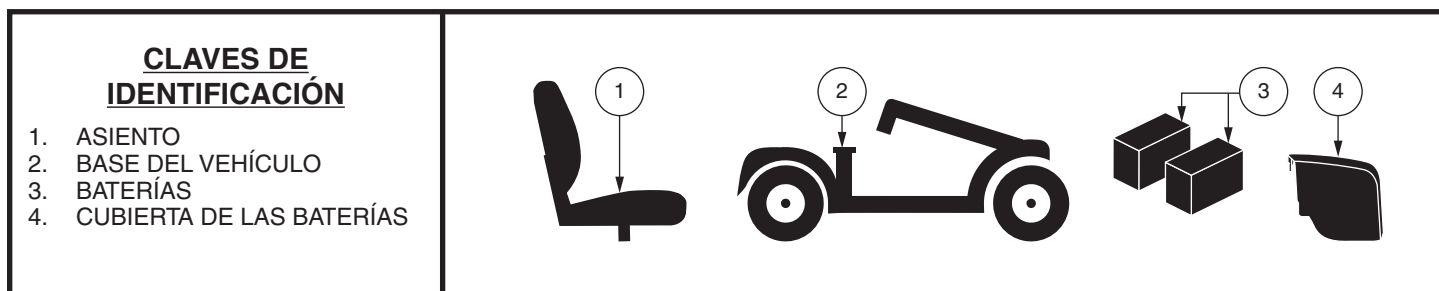


Figura 23. Componentes del Vehículo

## DESMONTAJE

1. Para quitar el asiento del vehículo, tire de él hacia arriba. Si encuentra alguna resistencia, afloje la palanca de rotación del asiento y gire el asiento adelante y atrás mientras lo levanta.
2. Retire la cubierta de las baterías del vehículo. **Ver la figura 12.**
3. Desconecte la cincha de amarre de las baterías.
4. Desconecte los cables de batería de los terminales de batería deslizando hacia atrás las cubiertas de las terminales y desenroscando la tuerca del tornillo. **Ver las figuras 13 y 14.**
5. Extraiga las baterías de su compartimento.

## MONTAJE

1. Vuelva a colocar las baterías en su compartimento.
2. Conecte los cables de baterías. **Ver las figuras 13 y 14.**
3. Vuelva a colocar la cincha de amarre.
4. Coloque de nuevo la cubierta de las baterías.
5. Coloque el asiento y gírelo hasta que de bloqueado en su sitio.

## VII. RESOLUCIÓN DE PROBLEMAS

Los dispositivos electromecánicos pueden tener a veces pequeños problemas. Sin embargo, la mayoría de ellos pueden resolverse utilizando un poco de lógica y sentido común. Muchos de estos problemas o fallos ocurren porque las baterías no están completamente cargadas o porque están muy gastadas y ya no pueden cargarse.

### DIAGNÓSTICO MEDIANTE CÓDIGOS DE FALLAS

Los códigos de sonido de su vehículo están diseñados para ayudarle a resolver de forma rápida y sencilla problemas básicos en su vehículo. Se comunicará un código de falla de diagnóstico en caso de que se desarrolle una de las condiciones que se enumeran a continuación. Dependiendo de la fuente del error, su vehículo se comunicará mediante uno de los métodos de codificación de la siguiente manera:

1. Se muestra un código de error de diagnóstico y un mensaje de error en la pantalla LCD (Ver la figura 24), **O**
2. Un código de sonido identificará la condición, hará una pausa y luego repetirá el código de sonido. El código de sonido continúa alertando de esta manera hasta que el vehículo se apague.

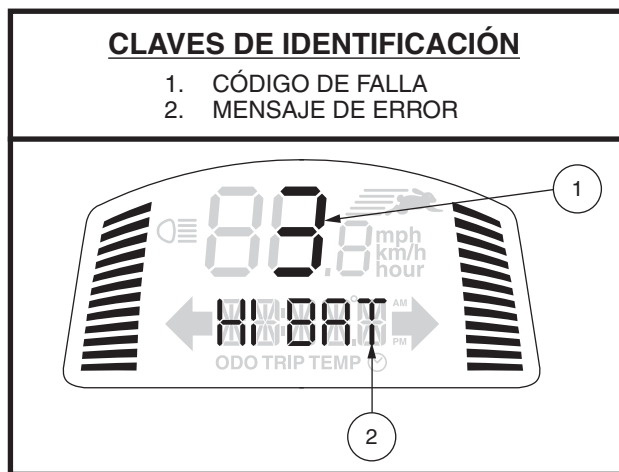


Figura 24. Visualización del código de falla

**NOTA:** El vehículo sólo volverá a funcionar si ha resuelto el problema indicado por el código de fallas y ha apagado y luego encendido el mismo.

CÓDIGO DE FALLAS	PROBLEMA	SOLUCIÓN	MENSAJE DE ERROR
2	Baja tensión; las baterías deben ser cargadas inmediatamente	Recargue las baterías lo antes posible.	BAT Sc
3	Sobretensión	Desenchufe el cargador y/o gire la llave a la posición OFF, y luego de nuevo a la posición ON.	BAT AV
4	Sobrecorriente	Apague el vehículo durante unos minutos y luego vuélvalo a encender.	EccCo
5	Falla del freno de estacionamiento	Saque la llave de la cerradura de contacto, lleve la palanca de modo manual a la posición de conducción (hasta atrás) y vuelva a encender el vehículo.	FRE St
6	La palanca aceleradora no estaba en su posición central en el momento del encendido	Lleve la palanca aceleradora a su posición central, apague el vehículo y luego vuélvalo a encender.	POT NC
7	Palanca de control del acelerador rota o con fallas	Pida ayuda a su comerciante autorizado.	POT Di
8	Falla de motor	Pida ayuda a su comerciante autorizado.	MOTHS
9	Otra falla	Pida ayuda a su comerciante autorizado.	ALTRO

Figura 25. Modelos con panel de control LCD

## VII. RESOLUCIÓN DE PROBLEMAS

### **Mi vehículo no se enciende ni funciona**

- Compruebe que la llave esté en la posición “on”.
- Compruebe que las baterías estén completamente cargadas.
- Compruebe el botón del disyuntor principal/reinicio. Capítulo II, “Su Vehículo”.
- Compruebe que los todo necesario cables estén conectados correctamente.
- Asegúrese de que el temporizador de desconexión no haya sido activado. Capítulo IV, “Funcionamiento”.

### **¿Qué hago si mi vehículo no se mueve al pulsar la palanca aceleradora?**

- Cuando la palanca de modo manual está hacia delante, los frenos están desactivados y la energía no llega al conjunto del motor/transeje.
- Para volver a un funcionamiento normal, empuje hacia atrás la palanca manual, apague el vehículo y luego vuélvalo a encender.

### **¿Qué hacer si el disyuntor principal salta repetidamente?**

- Si el disyuntor principal interrumpe la corriente a menudo, consulte a su comerciante autorizado.
- Cargue las baterías del vehículo con más frecuencia. Capítulo III, “Baterías y su carga”. Si el problema continúa, pídale a su comerciante autorizado que haga una prueba de carga de las baterías.
- También puede realizar la prueba usted mismo. Para ello, utilice unos dispositivos de chequeo disponibles en la mayoría de tiendas de automoción y siga las instrucciones del manual correspondiente. Siga las instrucciones indicadas en el manual del dispositivo de medición de carga.
- Consulte el capítulo III, “Baterías y su carga” o “Especificaciones de producto” para conocer el tipo de baterías de su vehículo.

### **El indicador de batería cae en picado y el motor hace extraños ruidos cuando pulso la palanca aceleradora.**

- Cargue completamente las baterías del vehículo (III, “Baterías y su carga”).
- Pídale a su comerciante que haga una prueba de carga de baterías.
- Consulte la pregunta anterior para chequear las baterías usted mismo.

Si encontrara otro problema que no pudiera resolver, póngase en contacto con su comerciante autorizado para obtener la información, el mantenimiento y el servicio necesarios.

## VIII. CUIDADO Y MANTENIMIENTO

Su vehículo necesita un cuidado y un mantenimiento mínimos. Si no se siente competente para proporcionar a su vehículo los cuidados citados a continuación, pida cita a su comerciante autorizado para que realice un chequeo de inspección y mantenimiento. Deberá realizar revisiones y/o controles periódicos en las siguientes zonas.

### PRESIÓN DE LOS NEUMÁTICOS

- Si está equipado con ruedas neumáticas, mantenga en todo momento la presión en psi/bares/kPa indicada en cada rueda.



**¡ADVERTENCIA! Es importante mantener en todo momento la presión en psi/bares/kPa indicada en cada rueda neumática. No infle excesivamente ni escasamente las ruedas. Una baja presión neumática puede provocar una pérdida de control, y unos neumáticos demasiado inflados pueden reventar. El incumplimiento de observar en todo momento la presión indicada (psi/bares/kPa) en las ruedas neumáticas podría ocasionar daños en sus ruedas o neumáticos.**

- Inspeccione regularmente el desgaste en las ruedas de su vehículo.

### SUPERFICIES EXTERIORES

Aplique ocasionalmente un acondicionador de caucho o vinilo en los parachoques, neumáticos y molduras.



**¡ADVERTENCIA! No aplique el acondicionador de caucho o vinilo en el asiento de vinilo del vehículo ni en la rodadura de los neumáticos ya que se volverían peligrosamente resbaladizos.**

### LIMPIEZA Y DESINFECCIÓN

- Utilice un paño húmedo y suave y un limpiador no abrasivo para limpiar las partes plásticas y de metal del vehículo. No use productos que puedan rayar la superficie del vehículo.
- En caso necesario, limpie su producto con un desinfectante apropiado. Antes de aplicarlo, asegúrese de que pueda utilizar el desinfectante en su producto.



**¡ADVERTENCIA! Siga las consignas de seguridad para la utilización correcta del desinfectante antes de aplicarlo a su producto. El incumplimiento de estas indicaciones podría provocar irritaciones cutáneas o daños en la tapicería o el acabado de su vehículo.**

### CONEXIONES DE LOS BORNES DE BATERÍA

- Compruebe regularmente todas las conexiones cableadas.
- Las baterías deben descansar horizontalmente en su compartimento.
- Los terminales de batería deben apuntar en la dirección indicada en el diagrama. Consulte el capítulo III, “Baterías y su carga”.

### CABLEADO ELÉCTRICO

- Compruebe regularmente todas las conexiones cableadas.
- Verifique regularmente el aislamiento de los cables, incluido el cable del cargador, para descartar cualquier desgaste o daño.
- Pídale a su comerciante autorizado que repare o cambie los conectores o material aislante dañado antes de volver a utilizar su vehículo.



**¡PROHIBIDO! Si bien el vehículo ha superado todas las pruebas requeridas de resistencia a líquidos, deberá evitar que los componentes eléctricos se humedezcan (exposición directa al agua o fluidos corporales e incontinencia). Verifique los comp. eléctricos y, en caso de encontrar signos de corrosión, sustitúyalos por otros nuevos.**



**¡ADVERTENCIA! No tire directamente de los cables eléctricos para desconectarlos del vehículo. Sujete siempre por el conector del cable para evitar cualquier daño a la hora de desenganchar los cables.**

## VIII. CUIDADO Y MANTENIMIENTO

### CAMBIO DE RUEDAS

Si su vehículo tiene ruedas neumáticas y ha pinchado, haga reemplazar la cámara. Consulte a su comerciante autorizado para obtener más información sobre el cambio de ruedas para su vehículo.

**¡ADVERTENCIA!** Las ruedas del vehículo únicamente podrán ser mantenidas o reemplazadas por un comerciante autorizado o un técnico cualificado.

**¡ADVERTENCIA!** Desinfe el neumático completamente antes de desmontarlo de la llanta o intentar arreglarlo.



**¡ADVERTENCIA!** Asegúrese de haber quitado la llave de la cerradura de contacto y de que el vehículo no esté en modo manual antes de realizar esta acción.

**¡ADVERTENCIA!** Cuando deba cambiar un neumático, desínflelo **COMPLETAMENTE** antes de sacarlo del eje porque podría explotar.

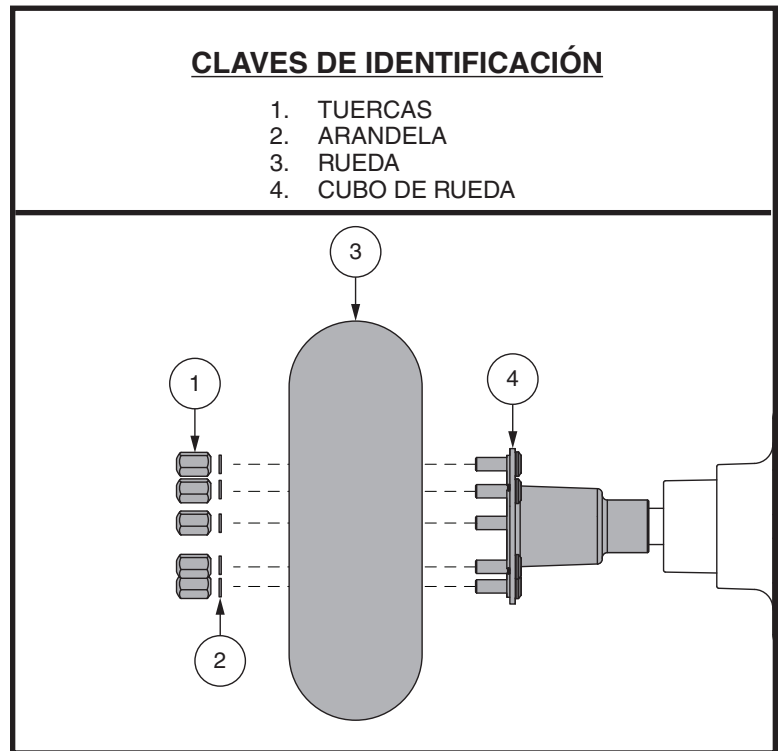


Figura 26. Extracción de la rueda de conducción

**Para instalar la rueda de forma rápida y segura, siga estos sencillos pasos:**

1. Saque la llave de la cerradura de contacto y asegúrese de que el vehículo no esté en modo manual.
2. Levante el lateral del vehículo del que vaya a retirar la rueda. Coloque unos bloques de madera bajo la estructura para levantar el vehículo.
3. Retire las tuercas de la rueda de accionamiento del eje. **Ver la figura 26.**
4. Retire la rueda y las arandelas de la cubo de rueda.
5. Vuelva a atornillar las dos llantas.
6. Inserte la rueda nuevamente en el eje.
7. Coloque de nuevo las arandelas y tuercas de la rueda en el cubo y apriete.



**¡ADVERTENCIA!** A la hora de colocar una rueda, asegúrese de que la llave del eje esté instalada correctamente en la ranura del eje. La colocación incorrecta de una rueda hará que el sistema de frenos permanezca desactivado, lo que podría ocasionarle lesiones o daños en el producto.

8. Infle las ruedas neumáticas a la presión de aire en psi/bares/kPa indicada en cada rueda.
9. Retire los bloques bajo el vehículo.



# VIII. CUIDADO Y MANTENIMIENTO

## CONTROLES DIARIOS

- Con la alimentación apagada, compruebe el acelerador. Asegúrese de que no esté torcida o dañada y vuelva a su posición central al soltarla. Compruebe visualmente que la base de caucho de la palanca no se encuentre dañada. No la manipule ni intente repararla. En caso de problemas, consulte con su comerciante autorizado.
- Inspeccione el cable de timón. Asegúrese de que no esté deshilachado, con cortes o cables a la vista. En caso de problemas, consulte con su comerciante autorizado.
- Compruebe que las ruedas macizas no estén abolladas. Las abolladuras pueden afectar a la estabilidad de la vehículo.
- Compruebe que no haya piezas flojas, puntos de tensión u otros daños en los reposabrazos. En caso de problema, consulte con su comerciante.
- Compruebe los frenos. Esta prueba debe realizarse sobre una superficie llana, con la vehículo levantada a unas 36 pulgadas del suelo.

### Para comprobar los frenos:

1. Encienda el regulador y ajuste la palanca a la velocidad más baja.
2. Transcurrido un segundo, compruebe el indicador de batería. Asegúrese de que sigue encendido.
3. Halar lentamente la acelerador hacia delante hasta oír el clic de los frenos electromagnéticos. Suelte inmediatamente la acelerador. Oirá el accionamiento de los frenos unos segundos después del movimiento de la acelerador. Repetir esta prueba tirando de la válvula reguladora en la dirección opuesta.

## CONTROLES SEMANALES

- Desconecte el mando y el cable del cargador del panel eléctrico e inspecciónelos. Compruebe que no haya corrosión. Compruebe que no haya corrosión. Contacte con su comerciante autorizado en caso necesario.
- Compruebe que el inflado de los neumáticos sea el correcto, Si están equipados con neumáticos. Si las ruedas no retienen el aire, póngase en contacto con su comerciante para que le cambien la cámara.

## CONTROLES SEMANALES

- Compruebe que las ruedas antivuelco no rozan el suelo cuando está manejando la vehículo.
- Compruebe el nivel de desgaste de las ruedas antivuelco y reemplácelas si es necesario.
- Compruebe el desgaste de las ruedas motrices. En caso necesario, consulte con su comerciante autorizado.
- Mantenga su vehículo limpio y libre de objetos extraños como barro, pelos, comida o bebida.

## CONTROLES ANUALES

Diríjase a su comerciante autorizado para efectuar las revisiones anuales. Así, tendrá la seguridad de que su vehículo sigue funcionando correctamente, además de prevenir posibles complicaciones.

## CARROCERÍA DE PLÁSTICO ABS

Si su vehículo tiene un protector de carrocería con un **acabado brillante**, el protector de carrocería ha sido rociado con un recubrimiento sellador claro. Puede aplicar un recubrimiento ligero de cera para automóvil para ayudar a retener su apariencia brillante. Si su vehículo tiene un protector de carrocería con un **acabado mate**, use **SÓLO** productos desarrollados para pinturas con acabado mate. No use cera, spray para detalles, ArmorAll®, ningún otro producto hecho para pinturas brillantes.



**¡ADVERTENCIA! Escoja cuidadosamente el producto correcto para proteger el acabado del(los) protector(es) de su vehículo. En los protectores con un acabado mate, SÓLO deben usarse productos desarrollados para pintura con acabado mate. No tomar en cuenta esta advertencia puede traer como consecuencia un daño en el acabado mate de la pintura del protector.**

## COJINETES DEL EJE Y CONJUNTO MOTOR/TRANSEJE

Estos elementos vienen prelubricados y sellados, y no necesitan más lubricación.

## ESCOBILLAS DE MOTOR

Las escobillas de motor están situadas dentro del conjunto de motor y transeje. Su comerciante autorizado deberá revisarlas periódicamente para suplir posibles desgastes.

## VIII. CUIDADO Y MANTENIMIENTO

### CONSOLA, CARGADOR/SIST. ELÉCTRICO

- Mantenga siempre estas zonas sin humedad.
- Si alguno de estos componentes se humedeciera, déjelo secar completamente antes de volver a utilizar su vehículo.

### CAMBIO DE FUSIBLES

En caso de que un fusible dejara de funcionar:

1. Retire el fusible, extrayéndolo de su ranura.
2. Examine el fusible para comprobar si está fundido. Ver la figura 27.
3. Coloque un nuevo fusible del tipo y características apropiadas.



**¡ADVERTENCIA! El nuevo fusible debe ser del mismo tipo y características que el anterior. De lo contrario, podría provocar daños en el sistema eléctrico.**

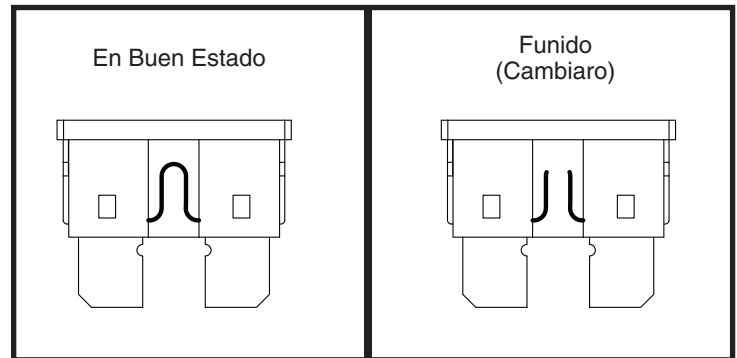


Figura 27. Cambio de fusible

### CAMBIO DE LAS CONTRATUERCAS DE NYLON

Toda contratuerca de nylon que haya sido retirada con motivo del mantenimiento periódico, el montaje o desmontaje del vehículo, deberá ser reemplazada por una nueva. Las contratuercas de nylon no pueden volver a utilizarse ya que se dañaría la inserción de nylon, provocando un ajuste menos seguro. Dispone de contratuercas de nylon de recambio en su ferretería local o puede conseguirlas a través de su comerciante autorizado.

### ALMACENAMIENTO

Si planea no utilizar su vehículo por un periodo largo de tiempo, le aconsejamos que:

- Antes de guardar su vehículo, cargue completamente las baterías.
- Extraiga las baterías del vehículo.
- Guarde el vehículo en un lugar templado y seco. No deje que las baterías se congelen.
- Evite guardar el vehículo en lugares sujetos a temperaturas extremas.
- Temperatura recomendada de almacenamiento:  $-40^{\circ}\text{C}/-40^{\circ}\text{F}$  a  $65^{\circ}\text{C}/149^{\circ}\text{F}$ .



**¡ADVERTENCIA! Proteja siempre las baterías de temperaturas heladas y nunca cargue una batería congelada. El cargado de una batería congelada puede provocar daños en la batería.**

Las baterías que se dejan descargar con frecuencia, no se cargan con regularidad, se guardan bajo temperaturas extremas o antes de haberlas recargado completamente pueden dañarse de forma permanente, afectando al funcionamiento del producto y limitando la vida de las mismas. Aunque guarde el vehículo durante largos periodos de tiempo, nosotros recomendamos cargar las baterías periódicamente para garantizar un rendimiento óptimo.

Si va a guardar el vehículo durante un largo tiempo, coloque varios cartones bajo la estructura del vehículo para levantarlo del suelo. Así, las ruedas no tienen que soportar todo el peso y se reduce el riesgo de abolladuras en las zonas de los neumáticos en contacto con el suelo.

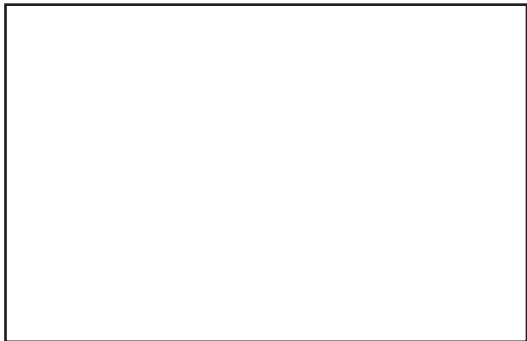
### ELIMINACIÓN Y RECICLAJE DEL VEHÍCULO

Para deshacerse de su vehículo deberá tener en cuenta la normativa aplicable en su país. Póngase en contacto con la agencia local de eliminación de residuos o con su comerciante autorizado para saber cómo deshacerse correctamente del paquete, los componentes metálicos y plásticos, el sistema electrónico, las baterías, así como los materiales de neopreno, silicona y poliuretano.



**¡ADVERTENCIA! Las bolsas de plástico son un peligro de asfixia. Deseche las bolsas de plástico adecuadamente y no permita que los niños jueguen con ellas.**





Serial #