

Sundancer

Owner's Manual

ATTENTION:
Please read the content
of your owner's manual
before operating your
scooter.



The Ultimate In Style & Performance[®]

Pride
Mobility Products Corp.

Exeter, PA

St. Catharines, ON

1-800-800-8586

www.pridemobility.com

SAFETY GUIDELINES

The symbols below are used throughout this owner's manual and on the scooter to identify warnings and important information. It is very important for you to read them and understand them completely.



WARNING! Indicates a potentially hazardous condition/situation that can cause personal injury, equipment, and/or property damage (black symbol on yellow triangle with black border).



MANDATORY! These actions should be performed as specified. Failure to perform mandatory actions can cause injury to personnel and/or damage to equipment (white symbol on blue dot).



PROHIBITED! These actions are prohibited; do not perform at any time or in any situation. Performing a prohibited action can cause personal injury and/or equipment damage (black symbol with red circle and red slash).

Please fill out the following information for quick reference:

Pride Provider: _____
Purchase Date: _____
Address: _____
Phone Number: _____
Serial Number: _____

NOTE: This owner's manual is compiled from the latest specifications and product information available at the time of publication. We reserve the right to make changes as they become necessary. Any changes to our products may cause slight variations between the illustrations and explanations in this manual and the product you have purchased.



Copyright ©2005
Pride Mobility Products Corp.

INFMANU2915/Rev A/May 2005

CONTENTS

I. INTRODUCTION	4
II. SAFETY	5
III. EMI/RFI	14
IV. SPECIFICATIONS	15
V. YOUR SCOOTER	17
VI. BATTERIES AND CHARGING	21
VII. OPERATION	25
VIII. COMFORT ADJUSTMENTS	27
IX. DISASSEMBLY AND ASSEMBLY	30
X. BASIC TROUBLESHOOTING	33
XI. CARE AND MAINTENANCE	35
XII. WARRANTY	37

I. INTRODUCTION

SAFETY

WELCOME to Pride Mobility Products Corporation (Pride). The product you have purchased combines state-of-the-art components with **safety**, comfort, and styling in mind. We are confident the design features will provide you with the conveniences you expect during your daily activities. Understanding how to **safely** operate and care for this product should bring you years of trouble free operations and service.

Read and follow all instructions, warnings, and notes in this manual and all other accompanying literature before attempting to operate this product for the first time. In addition, your **safety** depends upon you, as well as your provider, caretaker, or healthcare professional in using good judgement.

If there is any information in this manual which you do not understand, or if you require additional assistance for setup or operation, please contact your authorized Pride Provider. **Failure to follow the instructions, warnings, and notes in this manual and those located on your Pride product can result in personal injury or product damage and will void Pride's product warranty.**

PURCHASER'S AGREEMENT

By accepting delivery of this product, you promise that you will not change, alter, or modify this product or remove or render inoperable or unsafe any guards, shields, or other safety features of this product; fail, refuse, or neglect to install any retrofit kits from time to time provided by Pride to enhance or preserve the safe use of this product.

INFORMATION EXCHANGE

We want to hear your questions, comments, and suggestions about this manual. We would also like to hear about the safety and reliability of your new scooter, and about the service you received from your authorized Pride Provider. Please notify us of any change of address, so we can keep you apprised of important information about safety, new products, and new options that can increase your ability to use and enjoy your scooter. Please feel free to contact us at the address below:

Pride Mobility Products Corporation
Attn: Customer Care Department
182 Susquehanna Ave.
Exeter, PA 18643-2694

NOTE: If you ever lose or misplace your product registration card or your copy of this manual, contact us and we will be glad to send you a new one immediately.

PRIDE OWNERS CLUB

As an owner of a Pride product, you are encouraged to enroll in the Pride Owners Club. Complete and return your enclosed product registration card or visit Pride's web site at www.pridemobility.com.

From our home page, select "Owners Club" to enter a page dedicated to current and potential Pride product owners. You will gain access to interviews, stories, recreation ideas, daily living tips, product and funding information, and interactive message boards. These message boards invite you to communicate with other Pride customers as well as Pride representatives who are available to assist you with any questions or concerns.

II. SAFETY

GENERAL



MANDATORY! Do not operate your new scooter for the first time without completely reading and understanding this owner's manual.

Your scooter is a state-of-the-art life-enhancement device designed to increase mobility. Pride provides an extensive variety of products to best fit the individual needs of the scooter user. Please be aware that the final selection and purchasing decision regarding the type of scooter to be used is the responsibility of the scooter user who is capable of making such a decision and his/her healthcare professional (i.e., medical doctor, physical therapist, etc.).

The contents of this manual are based on the expectation that a mobility device expert has properly fitted the scooter to the user and has assisted the prescribing healthcare professional and/or the authorized Pride Provider in the instruction process for the use of the product.

There are certain situations, including some medical conditions, where the scooter user will need to practice operating the scooter in the presence of a trained attendant. A trained attendant can be defined as a family member or care professional specially trained in assisting a scooter user in various daily living activities.

As you begin using your scooter during daily activities, you will probably encounter situations in which you will need some practice. Simply take your time and you will soon be in full and confident control as you maneuver through doorways, on and off elevators, up and down ramps, and over moderate terrain.

Below are some precautions, tips, and other safety considerations that will help the user become accustomed to operating the scooter safely.

MODIFICATIONS

Pride has designed and engineered your scooter to provide maximum mobility and utility. However, under no circumstances should you modify, add, remove, or disable any feature, part, or function of your scooter.



WARNING! Do not modify your scooter in any way not authorized by Pride. Unauthorized modifications may result in personal injury and/or damage to your scooter.

REMOVABLE PARTS



WARNING! Do not attempt to lift or move your scooter by any of its removable parts. Personal injury and damage to the scooter may result.

II. SAFETY

PRE-RIDE SAFETY CHECK

Get to know the feel of your scooter and its capabilities. Pride recommends that you perform a safety check before each use to make sure your scooter operates smoothly and safely.

Perform the following inspections prior to using your scooter:

- Check for proper tire inflation (if equipped with pneumatic tires).
- Check all electrical connections. Make sure they are tight and not corroded.
- Check all harness connections. Make sure they are secured properly.
- Check the brakes (freewheel lever in drive mode).
- Check battery charge.

If you discover a problem, contact your authorized Pride Provider for assistance.

TIRE INFLATION

If your scooter is equipped with pneumatic tires, you should check or have the air pressure checked at least once a week. Proper inflation pressures will prolong the life of your tires and help ensure the smooth operation of your scooter.



WARNING! It is critically important that 30-35 psi tire pressure be maintained in pneumatic tires at all times. Do not underinflate or overinflate your tires. Low pressure may result in loss of control, and overinflated tires may burst. Failure to maintain 30-35 psi tire pressure in pneumatic tires at all times may result in tire and/or wheel failure, causing serious personal injury and/or damage to your scooter.

WARNING! Inflate your scooter tires from a regulated air source with an available pressure gauge. Inflating your tires from an unregulated air source could overinflate them, resulting in a burst tire and/or personal injury.

WEIGHT LIMITATIONS

Your scooter is rated for a maximum weight capacity. Refer to the specifications table for information.



WARNING! Exceeding the weight capacity voids your warranty and may result in personal injury and damage to your scooter. Pride will not be held responsible for injuries and/or property damage resulting from failure to observe weight limitations.

WARNING! Do not carry passengers on your scooter. Carrying passengers may result in personal injury and/or property damage.

INCLINE INFORMATION

More and more buildings have ramps with specified degrees of inclination, designed for easy and safe access. Some ramps may have turning switchbacks (180-degree turns) that require you to have good cornering skills on your scooter.

- Proceed with extreme caution as you approach the downgrade of a ramp or other incline.
- Take wide swings with your scooter around any tight corners. If you do that, the scooter's rear wheels will follow a wide arc, not cut the corner short, and not bump into or get hung up on any railing corners.
- When driving down a ramp, keep the scooter's speed adjustment set to the slowest speed setting to ensure a safely controlled descent.
- Avoid sudden stops and starts.

II. SAFETY

When climbing an incline, try to keep your scooter moving. If you must stop, start up again slowly, and then accelerate cautiously. When driving down an incline, do so by setting the speed adjustment dial to the slowest setting and driving in the forward direction only. If your scooter starts to move down the incline faster than you anticipated or desired, allow it to come to a complete stop by releasing the throttle control lever. Then push the throttle control lever forward slightly to ensure a safely controlled descent.

WARNING! When climbing an incline, do not zigzag or drive at an angle up the face of the incline. Drive your scooter straight up the incline. This greatly reduces the possibility of a tip or a fall. Always exercise extreme caution when negotiating an incline.

WARNING! Do not drive your scooter across the side of an incline or diagonally up or down an incline; do not stop, if possible, while driving up or down an incline.



WARNING! You should not travel up or down a potentially hazardous incline (i.e., areas covered with snow, ice, cut grass, or wet leaves).

WARNING! When on any sort of an incline or decline, never place the scooter in freewheel mode while seated on it or standing next to it.

WARNING! Even though your scooter is capable of climbing slopes greater than those illustrated in figure 1, do not, under any circumstances, exceed the incline guidelines or any other specifications presented in this manual. Doing so could cause instability in your scooter, resulting in personal injury and/or damage to your scooter.

Handicap public access ramps are not subject to government regulation in all countries, and therefore do not necessarily share the same standard percent of slope. Other inclines may be natural or, if man-made, not designed specifically for scooters. Figure 1 illustrates your scooter's stability and its ability to climb grades under various weight loads and under controlled testing conditions.

These tests were conducted with the scooter's seat in the highest position and adjusted rearward on the seat base to its farthest rearward position. Use this information as a guideline. Your scooter's ability to travel up inclines is affected by your weight, your scooter's speed, your angle of approach to the incline, and your scooter setup.

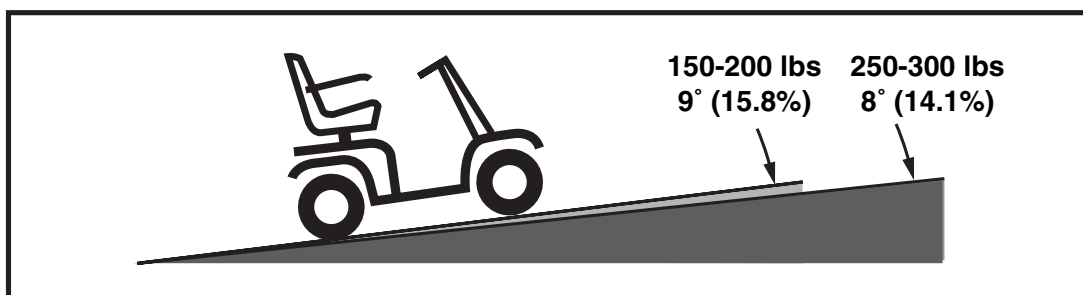


Figure 1. Maximum Recommended Incline Angles

WARNING! Any attempt to climb or descend a slope steeper than that shown in figure 1 may put your scooter in an unstable position and cause it to tip, resulting in personal injury.



WARNING! Never carry an oxygen tank weighing more than 15 lbs. Never fill the rear basket with contents exceeding 15 lbs.

II. SAFETY

When you approach an incline, it is best to lean forward. See figures 2 and 2A. This shifts the center of gravity of you and your scooter toward the front of the scooter for improved stability.

NOTE: *When negotiating ramps, if the throttle control lever is released while moving forward, the powered scooter may "rollback" approximately 1 foot before the brake engages. If the throttle control lever is released while moving in reverse, the powered scooter may "rollback" approximately 3 feet before the brake engages.*

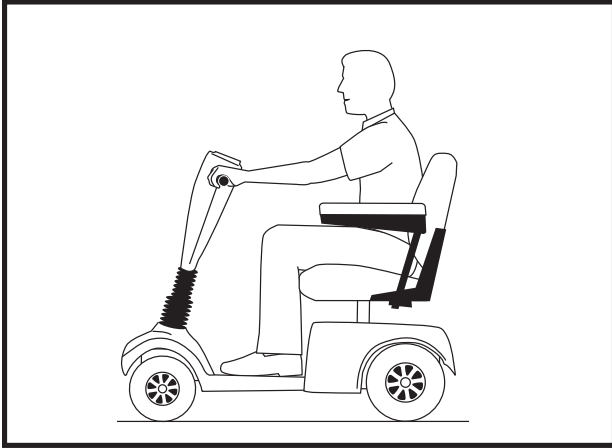


Figure 2. Normal Driving Position

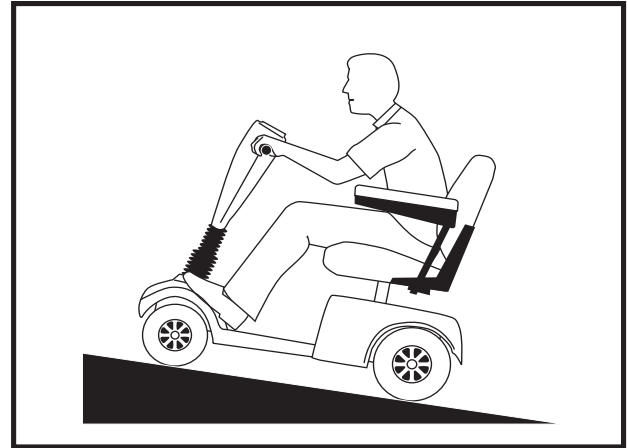


Figure 2A. Increased Stability Driving Position

CORNERING INFORMATION

Excessively high cornering speeds can create the possibility of tipping. Factors which affect the possibility of tipping include, but are not limited to, cornering speed, steering angle (how sharply you are turning), uneven road surfaces, inclined road surfaces, riding from an area of low traction to an area of high traction (such as passing from a grassy area to a paved area – especially at high speed while turning), and abrupt directional changes. High cornering speeds are not recommended. If you feel that you may tip over in a corner, reduce your speed and steering angle (i.e., lessen the sharpness of the turn) to prevent your scooter from tipping.



WARNING! When cornering sharply, reduce your speed. When using your scooter at higher speeds, do not corner sharply. This greatly reduces the possibility of a tip or fall. To avoid personal injury or property damage, always exercise common sense when cornering.

BRAKING INFORMATION

Your scooter is equipped with these powerful brake systems:

- Regenerative: Uses electricity to rapidly slow the vehicle when the throttle control lever returns to the center/stop position.
- Disc Park Brake: Activates mechanically after regenerative braking slows the vehicle to near stop, or when power is removed from the system for any reason.

II. SAFETY

OUTDOOR DRIVING SURFACES

Your scooter is designed to provide optimum stability under normal driving conditions—dry, level surfaces composed of concrete, blacktop, or asphalt. However, Pride recognizes that there will be times when you will encounter other surface types. For this reason, your scooter is designed to perform admirably on packed soil, grass, and gravel. Feel free to use your scooter safely on lawns and in park areas.

- Reduce your scooter's speed when driving on uneven terrain and/or soft surfaces.
- Avoid tall grass that can become tangled in the running gear and wrapped around the axle.
- Avoid loosely packed gravel and sand.
- If you feel unsure about a driving surface, avoid that surface.

PUBLIC STREETS AND ROADWAYS



WARNING! You should not operate your scooter on public streets and roadways. Be aware that it may be difficult for traffic to see you when you are seated on your scooter. Obey all local pedestrian traffic rules. Wait until your path is clear of traffic, and then proceed with extreme caution.

STATIONARY OBSTACLES (STEPS, CURBS, ETC.)

WARNING! Do not drive near raised surfaces, unprotected ledges, and/or drop-offs (curbs, porches, stairs, etc.).

WARNING! Do not attempt to have your scooter climb or descend an obstacle that is inordinately high. Serious personal injury and/or damage may result.



WARNING! Do not attempt to have your scooter proceed backward down any step, curb, or other obstacle. This may cause the scooter to tip and cause personal injury.

WARNING! Be sure your scooter is traveling perpendicular to any curb you may be required to ascend or descend. See figures 3 and 3A.

WARNING! Do not attempt to negotiate a curb that has a height greater than 2 in.

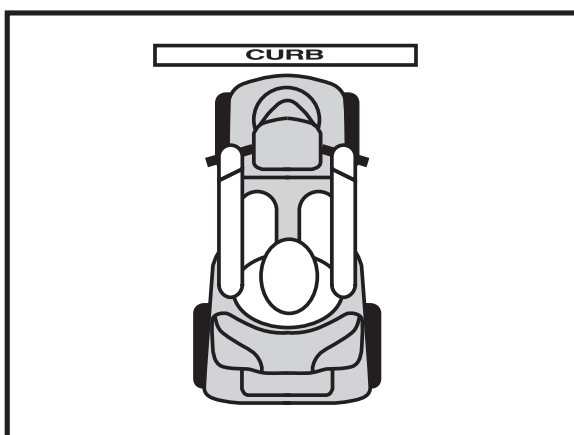


Figure 3. Correct Curb Approach

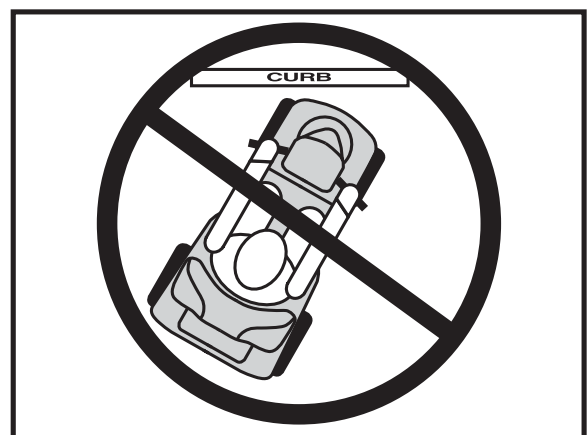


Figure 3A. Incorrect Curb Approach

II. SAFETY

INCLEMENT WEATHER PRECAUTIONS

Exposure of your scooter to inclement weather conditions should be avoided whenever possible. If suddenly caught up in rain, snow, severe cold or heat while operating your scooter proceed to shelter at the earliest opportunity. Thoroughly dry your scooter before storing, charging, or operating your scooter.



WARNING! Operating in rain, snow, salt, mist/spray conditions, and on icy/slippery surfaces can cause personal injury and/or damage to the scooter and electrical system. Maintain and store your scooter in a dry and clean condition.

FREEWHEEL MODE

Your scooter is equipped with a manual freewheel lever that, when pushed down, allows the scooter to be pushed. For more information about how to place your scooter into and out of freewheel mode, see V. “Your Scooter.”



WARNING! When your scooter is in freewheel mode, the braking system is disengaged.

- **Disengage the drive motors only on a level surface.**
- **Ensure the key is removed from the key switch.**
- **Stand behind the scooter to engage or disengage freewheel mode. Never sit on a scooter to do this.**
- **After you have finished pushing your scooter, always return it to the drive mode to lock the brakes.**

Failure to heed the above could result in personal injury and/or damage to your scooter.

An added feature built into the scooter is “push-too-fast” protection which safeguards the scooter against gaining excessive speed while in freewheel mode.

“Push-too-fast” operates differently depending on which of two conditions exists:

- If the key is switched “off” while in freewheel mode, the scooter’s controller activates regenerative braking when the scooter is pushed faster than a maximum threshold which has been preprogrammed. In this case, the controller is acting as a speed governor.
- If the key is switched “on” while in freewheel mode, you will encounter considerable resistance at any speed. This prevents the scooter from gaining unwanted momentum should the manual freewheel lever inadvertently be released while driving the scooter.

STAIRS AND ESCALATORS

Scooters are not designed to travel up or down stairs or escalators. Always use an elevator.



WARNING! Do not use your scooter to negotiate steps or escalators. You may cause injury to yourself and to others and/or damage your scooter.

DOORS

- Determine if the door opens toward or away from you.
- Use your hand to turn the knob or push the handle or push-bar.
- Drive your scooter gently and slowly forward to push the door open. Or drive your scooter gently and slowly backwards to pull the door open.

II. SAFETY

DOORS

- Determine if the door opens toward or away from you.
- Use your hand to turn the knob or push the handle or push-bar.
- Drive your scooter gently and slowly forward to push the door open. Or drive your scooter gently and slowly backwards to pull the door open.

ELEVATORS

Modern elevators have a door edge safety mechanism that, when pushed, reopens the door(s).

- If you are in the doorway of an elevator when the door(s) begin to close, push on the rubber door edge or allow the rubber door edge to contact the scooter and the door will reopen.
- Use care that pocketbooks, packages, or scooter accessories do not become caught in elevator doors.

LIFT/ELEVATION PRODUCTS

If you will be traveling with your scooter, you may find it necessary to use a lift/elevation product to aid in transportation. Pride recommends that you closely review the instructions, specifications, and safety information set forth by the manufacturer of the lift/elevation product before using that product.

BATTERIES

In addition to following the warnings below, be sure to comply with all other battery handling information.

WARNING! Scooter batteries are heavy (refer to specifications table). Lifting weight beyond your capacity could result in personal injury. If necessary, get someone physically able to lift the scooter batteries for you.

WARNING! Battery posts, terminals, and related accessories contain lead and lead compounds. Wash hands after handling.



WARNING! Always protect the batteries from freezing and never charge a frozen battery. Charging a frozen battery may result in personal injury and/or damage to the battery.

WARNING! RED (+) cables must be connected to positive (+) battery terminals/posts. BLACK (-) cables must be connected to negative (-) battery terminals/posts. Failure to connect your battery harnesses in the proper manner may result in personal injury and/or damage to your scooter. REPLACE cables immediately if damaged.

BATTERY DISPOSAL AND RECYCLING

If you encounter a damaged or cracked battery, immediately enclose it in a plastic bag and call your authorized Pride Provider for instructions on disposal. Your authorized Pride Provider will also have the necessary information on battery recycling, which is our recommended course of action.

PREVENTING UNINTENDED MOVEMENT



WARNING! If you anticipate being seated in a stationary position for an extended period of time, turn off the power. This will prevent unexpected motion from inadvertent throttle control lever contact. Failure to do so may result in personal injury.

II. SAFETY

MOTOR VEHICLE TRANSPORT

Currently, there are no standards approved for tie-down systems in a moving vehicle of any type to transport a person while seated in a scooter.

Although your scooter may be equipped with a positioning belt, this belt is not designed to provide proper restraint during motor vehicle transport. Anyone traveling in a motor vehicle should be properly secured in the motor vehicle seat with safety belts fastened securely.

WARNING! Do not sit on your scooter while it is in a moving vehicle. Personal injury and/or property damage may result.



WARNING! Always be sure your scooter and its batteries are properly secured when it is being transported. Failure to do so may result in personal injury and/or damage to your scooter.

SECUREMENT POINTS

Steel loops welded to the frame of your scooter provide securement points. These should only be used with an unoccupied scooter and secured by an approved securement system in accordance with the manufacturer's instructions. Pride makes no representation of suitability for use with specific securement systems nor can we anticipate the various situations that might arise in use of public transportation systems. For detailed instructions on the use of securements refer to the applicable municipal transit authority and/or manufacturer of the system used.



WARNING! DO NOT leave the scooter in freewheel mode when tying it down for transport.

WARNING! DO NOT use your scooter as a seat in a moving vehicle.

GETTING ONTO AND OFF OF YOUR SCOOTER

Getting onto and off of your scooter requires a good sense of balance. Please observe the following safety tips when getting onto and off of your scooter:

- Remove the key from the key switch.
- Ensure that your scooter is not in freewheel mode. See V. "Your Scooter."
- Make certain that the seat is locked into place and the key is removed from the key switch.
- Pivot the armrests up to make getting onto and off of the scooter easier.

WARNING! Position yourself as far back as possible in the scooter seat to prevent the scooter from tipping and causing injury.



WARNING! Avoid using your armrests for weight bearing purposes. Such use may cause the scooter to tip and cause personal injury.

WARNING! Avoid putting all of your weight on the floorboard. Such use may cause the scooter to tip and cause personal injury.

II. SAFETY

REACHING AND BENDING

Avoid reaching or bending while driving your scooter. When reaching, bending, or leaning while seated on your scooter, it is important to maintain a stable center of gravity and keep the scooter from tipping. Pride recommends that the scooter user determine his/her personal limitations and practice bending and reaching in the presence of a qualified healthcare professional.



WARNING! Do not bend, lean, or reach for objects if you have to pick them up from the floor. Movements such as these may change your center of gravity and the weight distribution of the scooter and cause your scooter to tip, possibly resulting in personal injury.

WARNING! Prevent personal injury! Keep your hands away from the tires when driving. Be aware that loose fitting clothing can become caught in drive tires.

POSITIONING BELTS

Your authorized Pride Provider, therapist(s), and other healthcare professionals are responsible for determining your requirement for a positioning belt in order to operate your scooter safely.



WARNING! If you require a positioning belt to safely operate your scooter, make sure it is fastened securely. Serious personal injury may result if you fall from the scooter.

PRESCRIPTION DRUGS/PHYSICAL LIMITATIONS

The scooter user must exercise care and common sense when operating his/her scooter. This includes awareness of safety issues when taking prescribed or over-the-counter drugs or when the user has specific physical limitations.



WARNING! Consult your physician if you are taking prescribed or over-the-counter medication or if you have certain physical limitations. Some medications and limitations may impair your ability to operate your scooter in a safe manner.

ALCOHOL

The scooter user must exercise care and common sense when operating his/her scooter. This includes awareness of safety issues while under the influence of alcohol.



WARNING! Do not operate your scooter while you are under the influence of alcohol, as this may impair your ability to drive safely.

III. EMI/RFI

Electromagnetic and Radio Frequency Interference (EMI/RFI)



WARNING! Laboratory tests have shown that electromagnetic and radio frequency waves can have an adverse affect on the performance of electrically-powered mobility vehicles.

Electromagnetic and Radio Frequency Interference can come from sources such as cellular phones, mobile two-way radios (such as walkie-talkies), radio stations, TV stations, amateur radio (HAM) transmitters, wireless computer links, microwave signals, paging transmitters, and medium-range mobile transceivers used by emergency vehicles. In some cases, these waves can cause unintended movement or damage to the control system. Every electrically-powered mobility vehicle has an immunity (or resistance) to EMI. The higher the immunity level, the greater the protection against EMI. This product has been tested and has passed at an immunity level of 20 V/m.



PROHIBITED! To prevent unintended movement, turn off the power to the electrically-powered mobility vehicle before using a cell phone, two-way radio, lap-top, or any other type of radio transmitter. Avoid coming into close proximity of radio or TV stations.

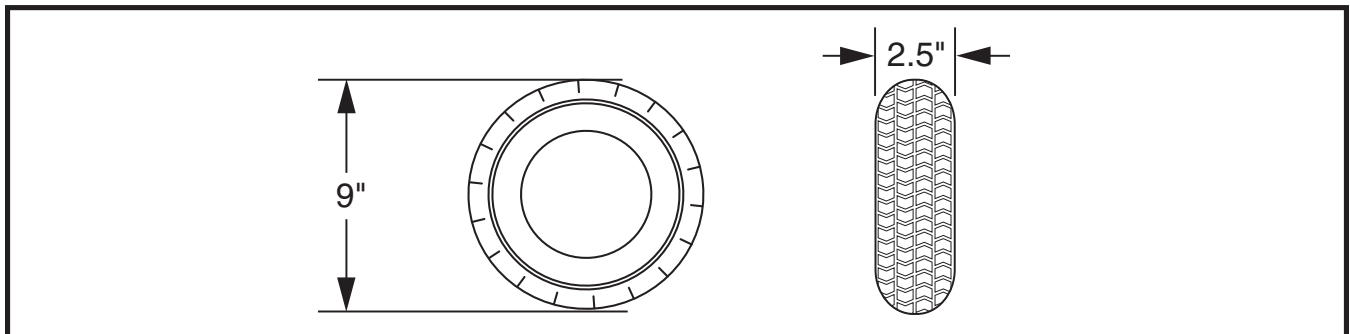
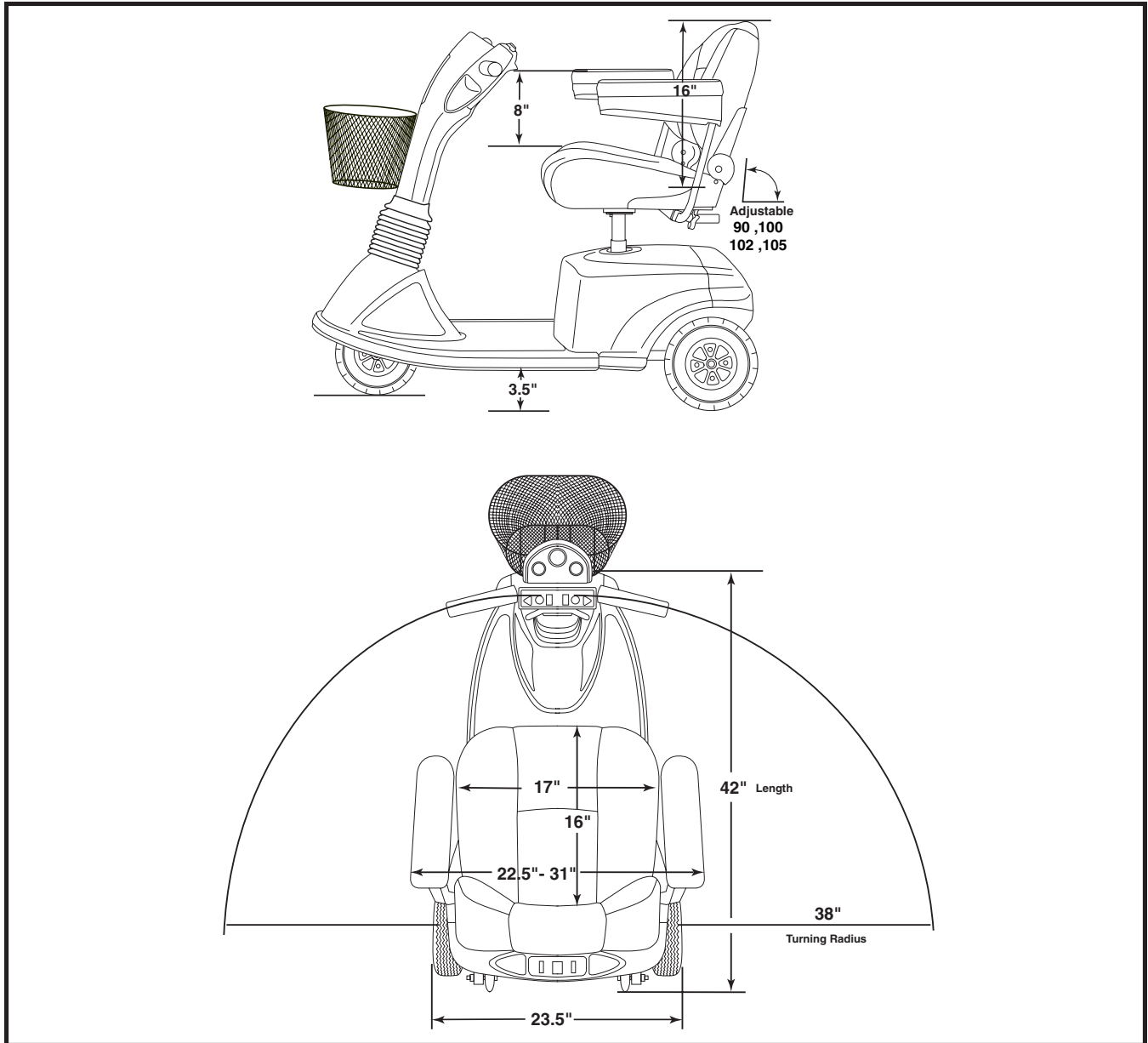


WARNING! The addition of accessories or components to the electrically-powered mobility vehicle can increase the susceptibility of the vehicle to EMI. Do not modify your scooter in any way not authorized by Pride.

WARNING! The electrically-powered mobility vehicle itself can disturb the performance of other electrical devices located nearby, such as alarm systems.

NOTE: For further information on EMI/RFI, go to the Resource Center on www.pridemobility.com. If unintended motion or brake release occurs, turn your scooter off as soon as it is safe to do so. Call Pride at 800-424-8205 to report the incident.

IV. SPECIFICATIONS



IV. SPECIFICATIONS

Model Numbers	SC2000PS
Available Colors	Painted: Candy Apple Red, Viper Blue
Overall Length	42 in.
Overall Width	23.5 in.
Total Weight Without Batteries	146 lbs.
Heaviest Piece When Disassembled	Rear frame: 69 lbs.
Turning Radius	38 in.
Speed (max)	Variable up to 4.5 mph
Range Per Charge*	(With 32 AH batteries) Up to 20 - 25 miles
Ground Clearance	3.5 in.
Weight Capacity	300 lbs.
Standard Seating	Type: Contoured low back Dimensions: 17 in. width 16 in. depth (usable) 16 in. height (usable) Material: Gray, Beige or Black Vinyl; Gray or Brown fabric
Drive System	Rear-wheel drive, sealed transaxle with a 24-volt DC motor
Dual Braking System	Electronic, regenerative and electromechanical
Wheels	Aluminum alloy wheels in Black
Tires	Type: solid; front: 2.5 in. x 9 in., rear: 2.5 in. x 9 in.
Battery Requirements	Type: Two 12-volt deep-cycle (AGM or Gel-Cell type recommended) Size: (U-1) 32 AH Weight: 25 lbs. each
Battery Charger	Onboard charger

* Varies with user weight terrain type, battery charge, battery condition, and tire pressure.

V. YOUR SCOOTER

TILLER CONSOLE

The tiller console houses all of the controls needed to drive your scooter, including the speed adjustment dial, throttle control lever, battery condition meter, running lights switch, hazard light switch, power seat switch, turn signal buttons, status LED, and horn buttons. See figure 5.



WARNING! Do not expose the tiller console to moisture. In the event that the tiller console does become exposed to moisture, do not attempt to operate your scooter until the tiller console has dried thoroughly.

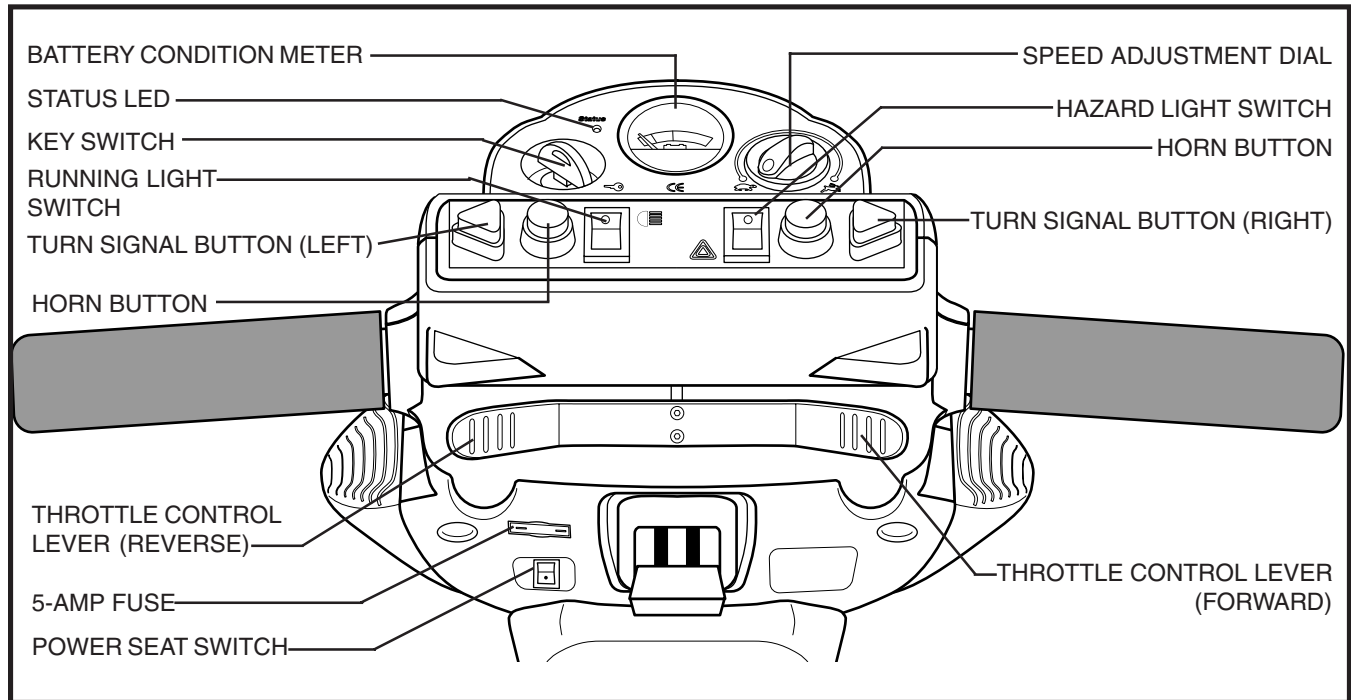


Figure 5. Tiller Console

Key Switch

- Insert the key into the key switch and turn it clockwise to power up (turn on) your scooter.
- Turn the key counterclockwise to power down (turn off) your scooter.



WARNING! If the key is moved to the off position while your Sundancer is in motion, the electronic brakes will engage and your Sundancer will come to an abrupt stop!

Throttle Control Lever

This lever allows you to control the forward speed and the reverse speed of your scooter up to the maximum speed you preset with the speed adjustment dial.

- Place your right hand on the right handgrip and your left hand on the left handgrip.
- Use your right thumb to push the right side of the lever to disengage your scooter's brakes and move forward.
- Release the lever and allow your scooter to come to a complete stop before pushing the other side of the lever to move in reverse.
- When the throttle is completely released, it automatically returns to the center "stop" position and engages your scooter's brakes.

V. YOUR SCOOTER

Speed Adjustment Dial

This dial allows you to preselect and limit your scooters's top speed.

- The image of the tortoise represents the slowest speed setting.
- The image of the hare represents the fastest speed setting.

Running Lights Switch

This switch controls your scooter's front and rear running lights.

- Toggle the switch forward to turn on your scooter's running lights.
- Toggle the switch back to turn off your scooter's running lights.

Power Seat Switch

This switch, when toggled on, enables you to raise or lower the power seat using the throttle control lever.

Horn Buttons

The scooter must be turned on for the horn to be operational.

- These buttons activate a warning horn.
- Do not hesitate to use the warning horn when doing so may prevent accident or injury.

Hazard Lights Switch

This switch activates the 4-way flashers on your scooter.

- Toggle the switch forward to turn on the flashers.
- Toggle the switch back to turn off the flashers.

Turn Signal Buttons

- Press the appropriate turn signal button once to activate it.
- Your scooter's turn signals are timed to shut off automatically.

Status LED

The status LED will alert you to electrical problems that may occur with the scooter. The LED remains constantly lit while your scooter is on. If the scooter develops an electrical problem, the status LED will flash a code. See X. "Basic Troubleshooting." If the status LED flashes a code other than a code listed in "Basic Troubleshooting," contact the Pride Technical Service Department by calling 1-800-800-8586.

5-Amp Fuse

The fuse helps protect your scooter's lighting and tiller console systems from receiving an overload of electrical current. The fuse used in your scooter is the same type used in automobiles. See XI. "Care and Maintenance" for fuse replacement.

V. YOUR SCOOTER

REAR SECTION

The onboard battery charger (not shown), the charger power cord receptacle, the batteries (not shown), the main circuit breaker reset button, the ammeter, the manual freewheel lever, the anti-tip wheels, and the motor/transaxle assembly are located on the rear section of your Sundancer. See figure 6.

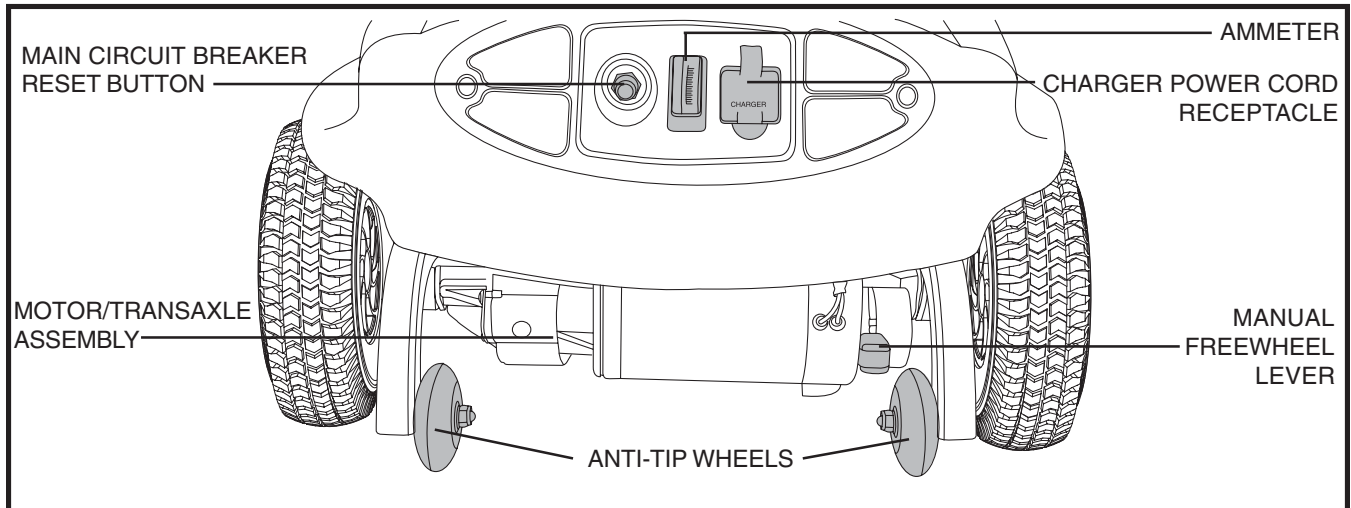


Figure 6. Rear Section

Charger Power Cord Receptacle

The charger power cord plugs into the onboard battery charger by means of the charger power cord receptacle.

Ammeter

During charging, the ammeter indicates the charging rate, or how hard the charger is working to charge the Sundancer's batteries. See VI. "Batteries and Charging."

Main Circuit Breaker (Reset Button)

When the voltage in your Sundancer's batteries becomes low or the scooter is heavily strained because of excessive loads or steep inclines, the main circuit breaker may trip to protect the motor and electronics from damage. See figure 6.

- The main circuit breaker reset button pops out when the breaker trips.
- When the breaker trips, the entire electrical system of your scooter shuts down.
- Allow a minute or two for the electronics to "rest."
- Push in the reset button to reset the main circuit breaker.
- If the main circuit breaker trips frequently, you may need to charge your batteries more often. You may also need to have your authorized Pride Provider perform a load test on your batteries.
- If the main circuit breaker trips repeatedly, see your authorized Pride Provider for service.

Manual Freewheel Lever

Whenever you need or want to push your scooter for short distances, you can put it in freewheel mode.

- The manual freewheel lever is located on the end of the motor/transaxle assembly at the right rear of the scooter. See figure 6.
- Remove the key from the key switch

V. YOUR SCOOTER

- Push down on the manual freewheel lever to disable the drive system and the brake system.
- You may now push the scooter.
- Pull up on the manual freewheel lever to reengage the drive and the brake systems and take your scooter out of freewheel mode.

NOTE: *If the scooter is placed in freewheel mode (manual freewheel lever pushed down) while the key is in the on position, the scooter will not run until the manual freewheel lever is pulled up and the key is turned to the off position, then back to the on position.*



WARNING! When your scooter is in freewheel mode, the braking system is disengaged.

- **Disengage the drive motors only on a level surface.**
- **Ensure the key is removed from the key switch.**
- **Stand behind the scooter to engage or disengage freewheel mode. Never sit on a scooter to do this.**
- **After you have finished pushing your scooter, always return it to the drive mode to lock the brakes.**

Batteries (not shown)

The batteries store electrical energy that powers your Sundancer. See VI. “Batteries and Charging.”

Anti-Tip Wheels

The anti-tip wheels are an integral and important safety feature of your Sundancer. Do not, under any circumstances, remove the anti-tip wheels from your Sundancer. See figure 6.



WARNING! Do not remove the anti-tip wheels or modify your scooter in any way that is not authorized by Pride.

Motor/Transaxle Assembly

The motor/transaxle assembly is an electromechanical unit that converts electrical energy from your Sundancer’s batteries into the controlled mechanical energy that drives the Sundancer’s wheels.

VI. BATTERIES AND CHARGING

Your scooter requires two sealed, maintenance free, 12-volt, 32 AH batteries.

- Charge the batteries prior to using your scooter for the first time.
- Keep the batteries fully charged to keep your scooter running smoothly.

READING YOUR BATTERY VOLTAGE

The battery condition meter on the tiller console indicates the approximate strength of your batteries using a color code. See figure 7. Green indicates fully charged batteries, yellow indicates a draining charge, and red indicates that an immediate recharge is necessary. To check the charge, you must first unplug the charger power cord and power up your scooter. To ensure the highest accuracy, the battery condition meter should be checked while operating your scooter at full speed on a dry, level surface.

You can also check the charge using the ammeter located on the rear of the scooter. The charger power cord must be plugged into a standard wall outlet in order to obtain a reading. When the amperage reading is at or near zero amps, the battery charging is complete. See figure 8.

CHARGING YOUR BATTERIES

Follow these easy steps to charge your batteries safely:



PROHIBITED! Never use an extension cord to plug in your battery charger. Plug the charger directly into a properly wired standard wall outlet.

PROHIBITED! Removal of the grounding prong can create an electrical hazard. If necessary properly install an approved 3-pronged adaptor to an electrical outlet having 2-pronged plug access. Failure to heed could result in personal injury and or property damage.



WARNING! Ensure that both ends of the charger power cord are clean and dry before plugging it into the charger power cord receptacle or a wall socket.

1. Position your scooter close to a standard wall outlet.
2. Remove the key from the key switch.
3. Make certain that the manual freewheel lever is in the drive (up) position.
4. Plug the charger power cord into the charger power cord receptacle.
5. Extend the charger power cord and plug it into the wall outlet. It is recommended that you charge your batteries for 8 to 14 hours.
6. When the batteries are fully charged, unplug the charger power cord from the wall outlet and then from the charger power cord receptacle.

NOTE: *There is a charger inhibit function on your scooter. The scooter will not run and the battery condition meter will not operate while the batteries are charging.*

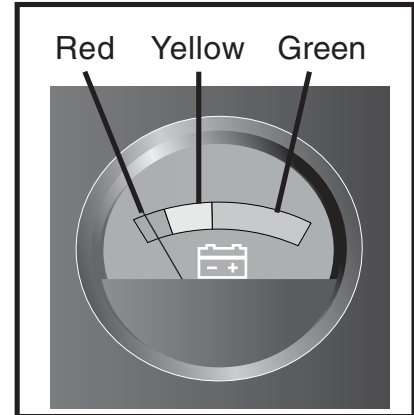


Figure 7. Battery Condition Meter

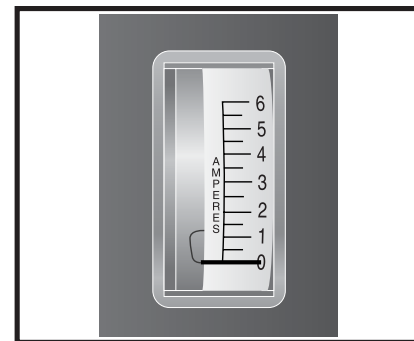


Figure 8. Ammeter Indicates Battery Is Fully Charged

VI. BATTERIES AND CHARGING

BATTERIES AND CHARGING-FREQUENTLY ASKED QUESTIONS (FAQS)

How does the charger work?

When your scooter's battery voltage is low, the charger works harder and sends more electrical current to the batteries to bring up their charge. As the voltage of the batteries approaches a full charge, the charger sends less and less electrical current to the batteries. When the batteries are fully charged, the current sent to them from the charger is at nearly zero amperage. Therefore, when the charger is plugged in, it maintains the charge on your scooter's batteries, but does not overcharge them. We do not recommend that you charge your scooter's batteries for more than 24 consecutive hours.

What if the scooter's batteries won't charge?

- Be sure the battery cables are connected properly.
- Ensure both ends of the charger cord are inserted fully.

Can I use a different charger?

For the safest, most efficient and balanced charging of your scooter's batteries, we prefer and highly recommend the simultaneous charging of both batteries by use of the onboard battery charger.

How often must I charge the batteries?

Two major factors must be considered when deciding how often to charge your scooter's batteries:

- All day scooter use on a daily basis.
- Infrequent or sporadic scooter use.

With these considerations in mind, you can determine just how often and for how long you should charge your scooter's batteries. The onboard charger was designed so that it will not overcharge your scooter's batteries. However, you may encounter some problems if you do not charge your batteries often enough and if you do not charge them on a regular basis. Following the five guidelines below will provide safe and reliable battery operation and charging.

- If you use your scooter daily, charge its batteries as soon as you finish using it for the day. Your scooter will be ready each morning to give you a "full day" of service. We recommend that you charge your scooters's batteries for 8 to 14 hours after daily use.
- If you use your scooter once a week or less, charge its batteries at least once a week for 12 to 14 hours at a time.
- Keep your scooter's batteries fully charged.
- Avoid deeply discharging your scooter's batteries.
- Do not charge your scooter's batteries for more than 24 consecutive hours.

VI. BATTERIES AND CHARGING

How can I get maximum range or distance per charge?

Rarely will you have ideal driving conditions—smooth, flat, hard driving surfaces with no wind or curves. You will often face hills, sidewalk cracks, uneven and loosely packed surfaces, curves, and wind. All of these driving conditions affect the distance or running time per battery charge. Below are a few suggestions for obtaining the maximum range per battery charge.

- Always fully charge your scooter's batteries prior to your daily use.
- Maintain proper pressure in all of your scooter's tires (if equipped with pneumatic tires).
- Plan your route ahead to avoid as many hills, cracked, broken, or soft surfaces as possible.
- Limit your baggage weight to essential items.
- Try to maintain an even speed while your scooter is in motion.
- Avoid stop-and-go driving.

What type and size of battery should I use?

We recommend deep-cycle batteries that are sealed and maintenance free. Both AGM and Gel-Cell are deep-cycle batteries that are similar in performance. Do not use wet-cell batteries, which have removable caps.

NOTE: Sealed batteries are not serviceable. Do not remove the caps.



WARNING! Corrosive chemicals contained in batteries. Use only AGM or Gel-Cell batteries to reduce the risk of leakage or explosive conditions.

How do I change a battery in my scooter?



WARNING! Battery posts, terminals, and related accessories contain lead and lead compounds. Wash hands after handling.

1. Remove the seat and the rear shroud. See IX. "Disassembly and Assembly."
2. Disconnect the battery strap.
3. Disconnect the battery harness. See figure 14.
4. Disconnect the battery cables from the battery terminals.
5. Remove the old battery.
6. Place a new battery in the battery well.
7. Connect the red battery cable to the positive (+) battery terminal.
8. Connect the black battery cable to the negative (-) battery terminal.
9. Reconnect the battery harness to the rear electronics module.
10. Reconnect the battery strap.
11. Reinstall the rear shroud and seat.

NOTE: If you encounter a damaged or cracked battery, immediately enclose it in a plastic bag and call your authorized Pride Provider for instructions on disposal. Your authorized Pride Provider will also have the necessary information on battery recycling, which is our recommended course of action.

Why do my new batteries seem weak?

Deep-cycle batteries employ a different chemical technology than that used in car batteries, nickel-cadmium batteries (nicads), or in other common battery types. Deep-cycle batteries are specifically designed to provide power, drain down their charge, and then accept a relatively quick recharge.

VI. BATTERIES AND CHARGING

We work closely with our battery manufacturer to provide batteries that best suit your scooter's specific electrical demands. Fresh batteries arrive daily at Pride and are shipped fully charged to our customers. During shipping, the batteries may encounter temperature extremes that may influence their initial performance. Heat diminishes the charge on the battery; cold slows the available power and extends the time needed to recharge the battery.

It may take a few days for the temperature of your scooter's batteries to stabilize and adjust to their new room or ambient temperature. More importantly, it takes a few charging cycles (a partial drain followed by a full recharge) to establish the critical chemical balance that is essential to a deep-cycle battery's peak performance and long life.

Please follow these steps to properly break in your scooter's new batteries for maximum efficiency and service life.

1. Fully recharge any new battery prior to its initial use. This charging cycle brings the battery up to about 88% of its peak performance level.
2. Operate your new scooter in familiar and safe areas. Drive slowly at first, and do not travel too far from your home or familiar surroundings until you have become accustomed to your scooter's controls and have properly broken in your scooter's batteries.
3. Fully recharge the batteries. They should be at over 90% of their peak performance level.
4. Operate your scooter again.
5. Fully recharge the batteries again.
6. After four or five charging cycles, the batteries are able to receive a charge of 100% of their peak performance level and are able to last for an extended period of time.

How can I ensure maximum battery life?

Fully charged deep-cycle batteries provide reliable performance and extended battery life. Keep your scooter's batteries fully charged whenever possible. Batteries that are regularly and deeply discharged, infrequently charged, or stored without a full charge may be permanently damaged, causing unreliable performance and limited service life.

What about public transportation?

If you intend to use public transportation while using your scooter, you must contact in advance the transportation provider to determine their specific requirements.

VII. OPERATION

BEFORE GETTING ON YOUR SCOOTER

- Have you fully charged the batteries? See VI. “Batteries and Charging.”
- Is the manual freewheel lever in the drive (up) position? Never leave the scooter in freewheel mode unless you are manually pushing your scooter.

GETTING ONTO YOUR SCOOTER



WARNING! Never attempt to get onto or off of your scooter without first removing the key from the key switch. This will prevent the scooter from moving if accidental throttle control lever contact is made.

1. Make certain that the key is removed from the key switch.
2. Stand at the side of your scooter.
3. Pull up on the seat lock lever and rotate the seat until it is facing you.
4. Make certain that the seat is locked securely in position.
5. Position yourself comfortably and securely in the seat.
6. Pull up on the seat lock lever and rotate the seat until you are facing forward.
7. Make certain that the seat is locked securely in position.
8. Make certain that your feet are safely on the floorboard.

PRE-RIDE ADJUSTMENTS AND CHECKS

- Is the seat at a comfortable driving height?
- Is the seat locked securely in place?
- Is the tiller at a comfortable setting and locked securely in place? See VIII. “Comfort Adjustments.”
- Is the key fully inserted into the key switch and turned clockwise to the “on” position? See V. “Your Scooter.”
- Does the scooter’s horn work properly?
- Is your proposed path clear of people, pets, and obstacles?
- Have you planned your route to avoid adverse terrain and as many inclines as possible?

OPERATING YOUR SCOOTER

WARNING! The following can adversely affect steering and stability while operating your scooter:



- **Holding onto or attaching a leash to walk your pet**
- **Carrying passengers (including pets)**
- **Hanging any article from the tiller**
- **Towing or being pushed by another motorized vehicle**

Such practices could cause loss of control and/or tipping resulting in personal injury and/or damage to your scooter.

Keep both hands on the tiller and your feet on the floorboard at all times while operating your scooter. This driving position gives you the most control over your vehicle.

- Set the speed adjustment dial to your desired speed.
- Press your thumb against the appropriate side of the throttle control lever.
- The electromechanical disc park brake automatically disengages and the scooter accelerates smoothly to the speed you preselected with the speed adjustment dial.
- Pull on the left handgrip to steer your scooter to the left.

VII. OPERATION

- Pull on the right handgrip to steer your scooter to the right.
- Move the tiller to the center position to drive straight ahead.
- To stop, slowly release the throttle control lever. The electronic brakes will automatically engage when your scooter comes to a stop.

NOTE: Your scooter's reverse speed is slower than that of the forward speed you preset with the speed adjustment dial.

GETTING OFF OF YOUR SCOOTER

1. Bring your scooter to a complete stop.
2. **Remove the key from the key switch.**
3. Pull up on the seat lock lever and rotate the seat until you are facing toward the side of your scooter.
4. Make certain that the seat is locked securely in position.
5. Carefully and safely get out of the seat and stand to the side of your scooter.
6. You can leave the seat facing to the side to facilitate boarding your scooter next time.

POWER DOWN TIMER FEATURE

Your scooter is equipped with an energy saving auto power down timer feature designed to preserve your scooter's battery life. If you mistakenly leave the key in the key switch and in the "on" position but do not use your scooter for approximately 20 minutes, the scooter's controller shuts down automatically. Although the controller is shut down, power will still be supplied to the scooter's lighting system.

If the power down timer feature takes effect, perform the following steps to resume normal operation.

1. Turn the key to the "off" position.
2. Turn the key back to the "on" position.

VIII. COMFORT ADJUSTMENTS



WARNING! Remove the key from the key switch before adjusting the tiller or the seat. Never attempt to adjust the tiller or the seat while the scooter is in motion.

TILLER ANGLE ADJUSTMENT

Your scooter is equipped with a pivoting tiller that allows adjustment to 4 positions from the scooter deck to the farthest forward stop.

1. Lift the tiller adjustment lever. See figure 9.
2. Move the tiller to a comfortable position.
3. Release the tiller adjustment lever to secure the tiller in position.

Lowering The Tiller To The Scooter Deck

NOTE: In order to lower the tiller to the scooter deck, you must first remove the seat and batteries. See IX. "Disassembly and Assembly."

1. Turn the tiller to the right so that, when lowered, it will be to the left of the seat post. See figure 9A.



WARNING! Do not attempt to forcefully lower the tiller if it is not in the proper lowering position. Excessive force can possibly damage the tiller adjusting mechanism.

2. Pull up on the tiller adjustment lever and lower the tiller slowly toward the scooter deck. See figure 9B.

NOTE: When the tiller is past the last locking stop, you can release the tiller adjustment lever. The tiller will not stop again until it reaches its lowest point.

When the tiller reaches its lowest point, you will hear a positive click. The tiller is now locked.

Raising The Tiller From The Scooter Deck

In order to raise the tiller from the scooter deck, you must lift up on the tiller adjustment lever to unlock the tiller. Continue to hold the tiller adjustment lever up until the tiller reaches the position you desire. Be sure the tiller locks into place.

SEAT ROTATION

The seat lock lever locks the seat in one of four positions.

1. Pull up on the seat lock lever to unlock the seat. See figure 10.
2. Rotate the seat to the desired position.
3. Release the seat lock lever to lock the seat securely in place.

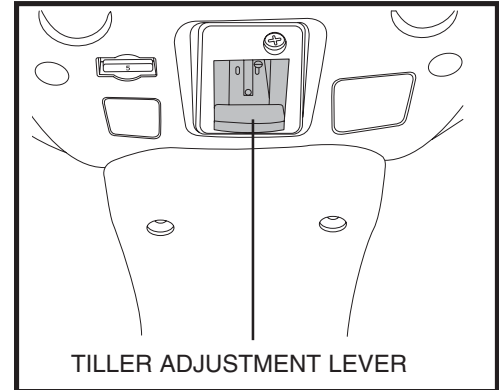


Figure 9. Tiller Adjustment

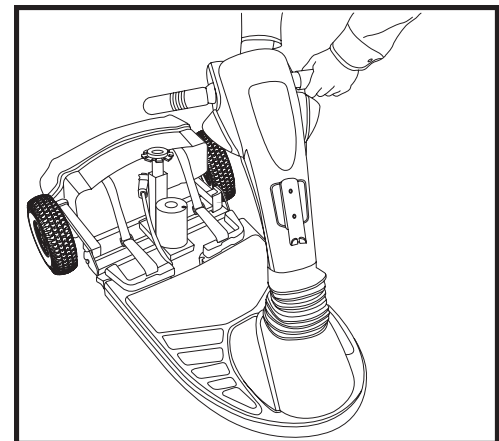


Figure 9A. Lowering The Tiller

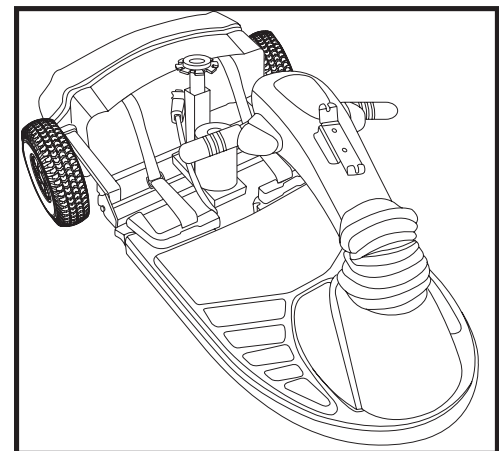


Figure 9B. Lowest Tiller Position

VIII. COMFORT ADJUSTMENTS

FRONT-TO-BACK SEAT ADJUSTMENT

You can reposition the scooter's seat forward or rearward to one of three settings thereby adjusting the distance between the seat and the tiller.

1. Remove the seat from your scooter.
2. Remove the four bolts that fasten the seat to the seat platform. See figure 10.
3. Align the seat platform with the desired set of holes on the seat.
4. Replace and tighten the four bolts securely.

ARMREST WIDTH ADJUSTMENT

The scooter armrest width can be adjusted inward or outward.

1. Loosen the armrest adjustment knobs at the back of the seat frame. See figure 10.
2. Slide the armrests in or out to the desired width.
3. Tighten the armrest adjustment knobs as required.

The armrests can also be lifted upward to aid in getting onto and off of your scooter.

SEAT HEIGHT ADJUSTMENT (POWER SEAT POST)

Your scooter may be equipped with a power seat. The power seat actuator is designed to raise or lower the seat with minimal effort on the part of the operator.



WARNING! The power seat is intended for operation only while your scooter is stationary and on a level surface. Its purpose is to aid you in reaching objects.

Failure to comply with the following instructions, warnings, and safety rules for power seat use could result in serious personal injury and damage to your scooter.

Operating your power seat:

1. Release the throttle control lever and allow the scooter to come to a complete stop.
2. Ensure that your scooter is level and stationary.
3. Set the speed adjustment dial to the slowest setting.
4. Toggle the power seat switch located on the tiller console to the "on" position.
5. To raise the power seat, operate your throttle control lever in the forward direction.
6. Release the throttle control lever when you have attained your desired height.
7. To lower the power seat, operate your throttle control lever in the reverse direction.
8. Ensure that your seat is in the lowest position and that you have fully released the throttle control lever.
9. Toggle "off" the power seat switch before you attempt to drive your scooter again.

NOTE: Frequent use of the power seat will more rapidly drain the charge of the batteries.

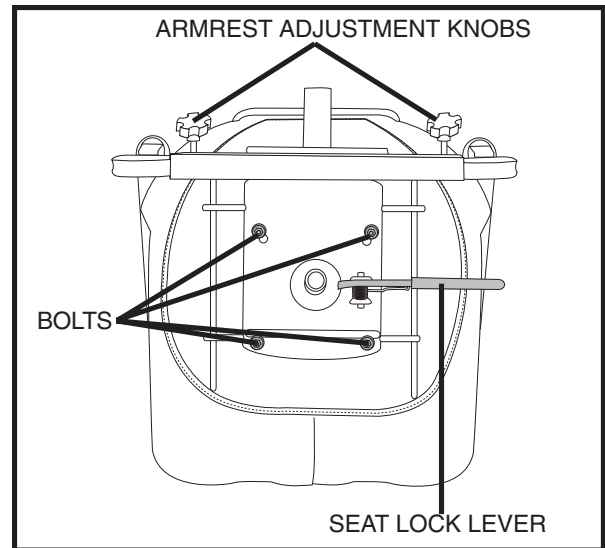


Figure 10. Seat Adjustments

VIII. COMFORT ADJUSTMENTS

WARNING! Strict adherence to the following safety rules is vital to your safety:



- **Do not switch the scooter's power off while activating the throttle control lever or immediately after release.**
- **Operate the power seat only while completely stationary on level ground.**
- **Do not attempt to operate the power seat switch with the throttle control lever depressed.**
- **Do not operate your scooter with the power seat elevated.**
- **Never place your scooter in freewheel mode with the power seat elevated.**
- **Use extreme caution when reaching for objects with your power seat elevated. Do not overextend or attempt to pick up objects that might affect your balance.**
- **Do not attempt to raise or lower the seat while in motion!**
- **Do not drive your scooter unless the power seat is fully retracted (in the lowest position).**

IX. DISASSEMBLY AND ASSEMBLY

DISASSEMBLY

You can disassemble the scooter into seven pieces: the seat, the front section, the rear section, the rear shroud, the basket, and the batteries. No tools are required to disassemble or assemble your scooter, but keep in mind that the disassembled sections of the scooter take up more floor space than the assembled unit. Always disassemble or assemble your scooter on a level, dry surface with sufficient room for you to work and move around your scooter—about 5 feet in all directions. Remember that some scooter components are heavy and you may need assistance when lifting them.



WARNING! Lifting weight beyond your physical capability may result in personal injury. Ask for assistance when necessary while disassembling or assembling your scooter.

1. Place the manual freewheel lever in the drive (up) position.
2. Coil the charger power cord and store it for future use.
3. Pull up on the seat lock lever and lift the seat straight up and off the scooter. See figure 11.
4. Gently pull the shroud away from the frame and lift it off of the scooter. See figure 12.
5. Disconnect the battery straps.
6. Unplug both black and white 2-pin battery harnesses. See figure 13.
7. Unplug the front-to-rear harness that connects the tiller console to the rear electronics module. See figure 14.



WARNING! Failure to unplug both battery harnesses and the front-to-rear harness prior to separating the front and rear sections could result in permanent damage to the scooter.

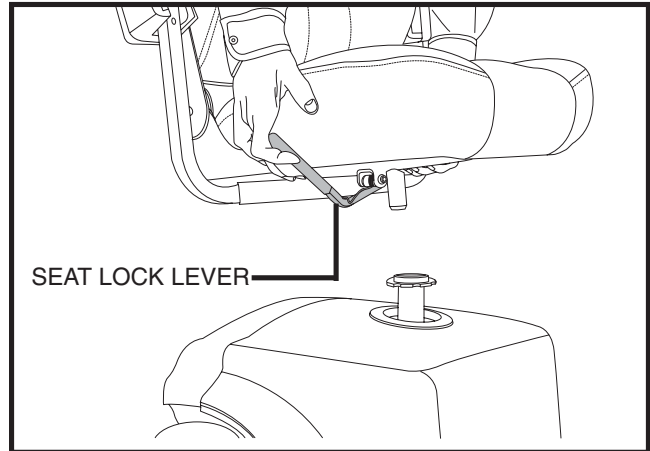


Figure 11. Seat Removal

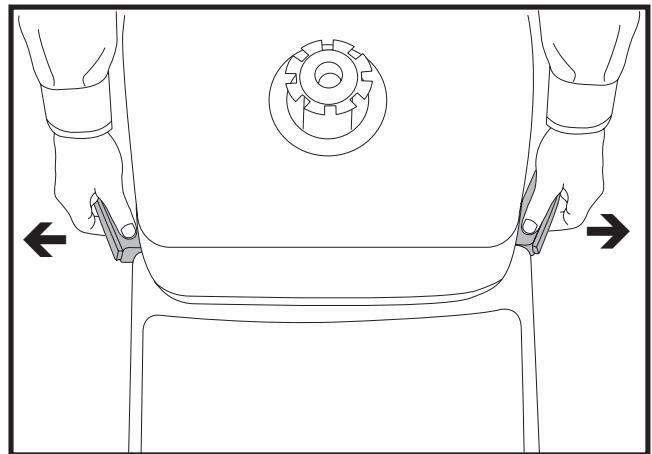


Figure 12. Rear Shroud Removal

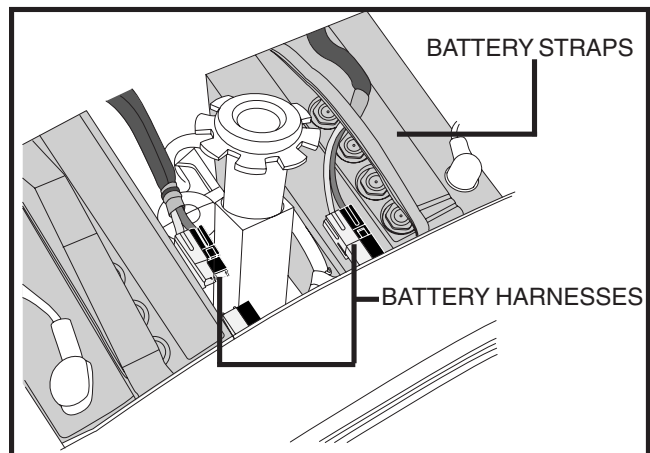


Figure 13. Battery Harnesses

IX. DISASSEMBLY AND ASSEMBLY

- Lift both batteries off the scooter.
- Remove the detent pin that secures the front and rear sections together. See figure 15.
- Completely lower the tiller to the center of the scooter deck. See VIII. "Comfort Adjustments."

NOTE: *Steer the tiller to the right before lowering it. The tiller will sit slightly to the left when fully lowered.*

- Pull up on the handhold (located on the front section) and push back on the seat post, then gently separate the sections of the scooter. See figure 16.

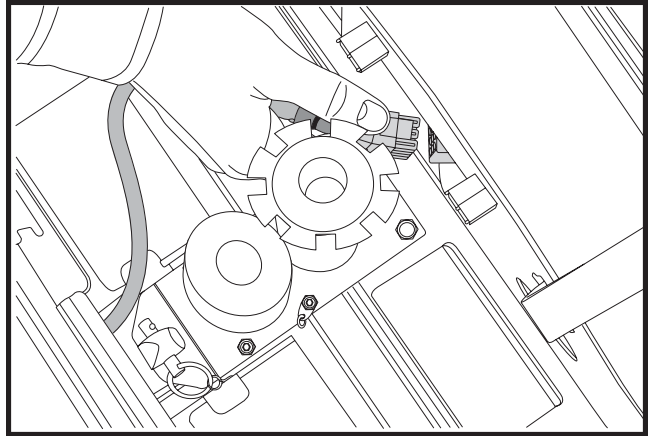


Figure 14. Front-To-Rear Harness

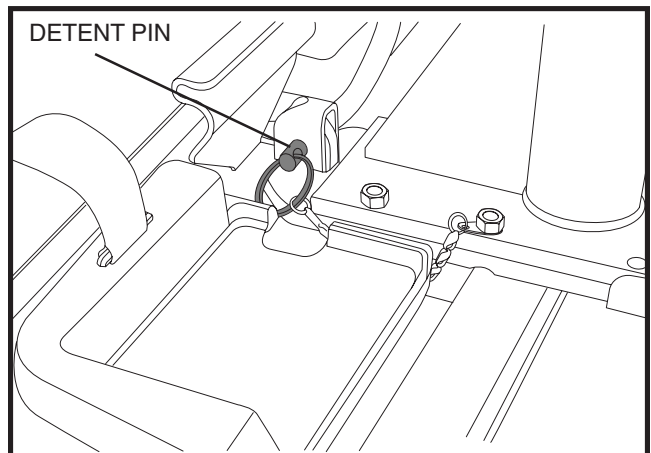


Figure 15. Detent Pin Removal

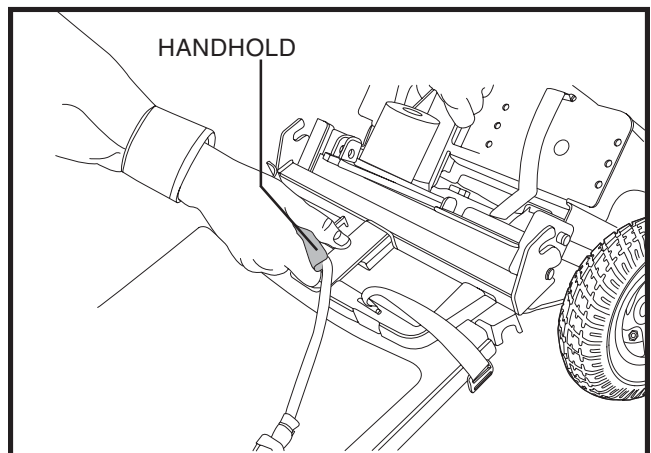


Figure 16. Frame Separation

IX. DISASSEMBLY AND ASSEMBLY

ASSEMBLY

1. Place the manual freewheel lever in the drive (up) position.
2. Position the front and rear sections of your scooter as shown in figure 17.



WARNING! Position the front-to-rear harness cable so it will not become pinched between the frame halves when pivoting the rear section forward.

3. Align the lower slots on the rear of the front section with the corresponding pegs on the front of the rear section. See figure 18.
4. Gently lift up on the seat post on the rear section of your scooter, so the rear section pivots into place.
5. Secure the front and rear sections with the ball detent pin.
6. Raise the tiller
7. Plug the front-to-rear harness into the mating plug found on the rear electronics module.
8. Put the batteries in place and plug the black and white 2-pin battery harnesses into the rear electronics module.
9. Reconnect the battery straps.
10. Gently place the rear shroud over the seat post.
11. Lower the shroud into place.
12. Carefully lift the seat and slide the seat platform post (on the seat bottom) into the seat pedestal.
13. Rotate the seat until it locks into place.

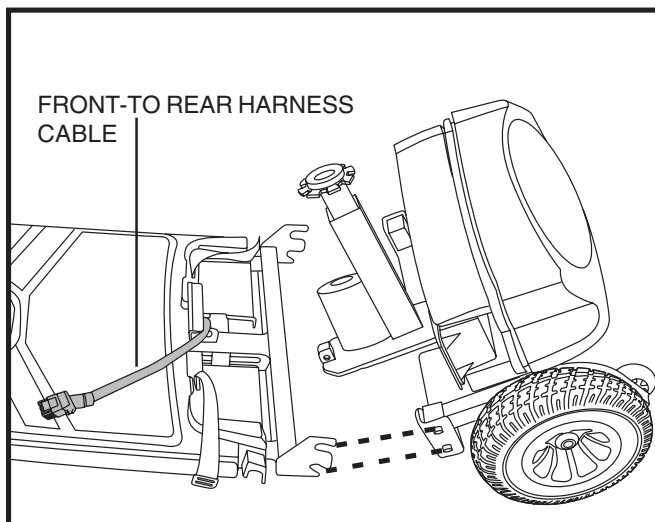


Figure 17. Frame Positioning

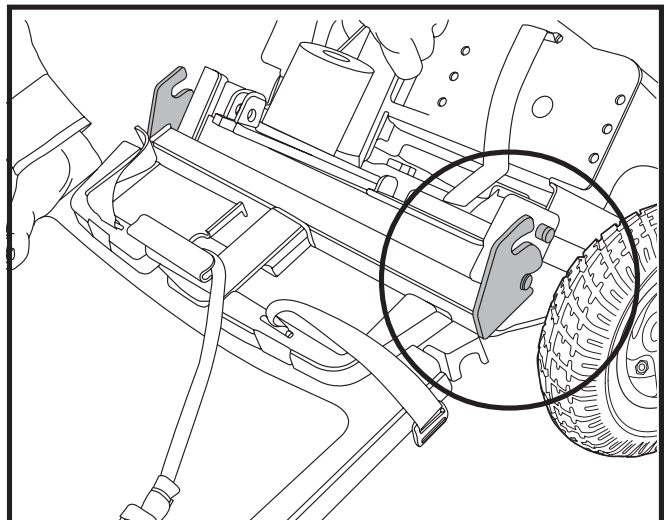


Figure 18. Connecting The Frame Halves

X. BASIC TROUBLESHOOTING

Any electromechanical device occasionally requires some troubleshooting. However, most of the problems that may arise can usually be solved with a bit of thought and common sense. Many of these problems occur because the batteries are not fully charged or because the batteries are worn down and can no longer hold a charge.

DIAGNOSTIC FLASH CODES

The diagnostic flash codes for your scooter are designed to help you perform basic troubleshooting quickly and easily. A diagnostic flash code will flash from the status LED in the event one of the conditions listed below develops.

NOTE: *Your scooter will not run unless the flash code condition is resolved and the scooter has been turned off, then turned back on.*

FLASH CODE	CONDITION	SOLUTION
■ ■ ■ ■ ■	Batteries are too low to operate the scooter or the charger is operating.	Charge batteries or unplug the charger power cord from the electrical outlet.
■ ■	Controller is hot; the scooter seems to be losing power.	Shut down your scooter for a minimum of several minutes to allow the controller to cool.
■ ■ ■ ■	Wigwag fault; your throttle control lever is not responding.	Call your authorized Pride Provider for assistance.
■ ■ ■ ■ ■	The manual freewheel lever is in the (down) freewheel position.	Turn the scooter key to the off position, then pull the manual freewheel lever to the (up) drive position, and restart your scooter.
■ ■ ■ ■ ■ ■ ■	Scooter is operating with the charger attached.	Unplug the charger power cord from the charger power cord receptacle.

What if all the systems on my scooter seem to be “dead”?

- Make certain that the key is in the “on” position.
- Check that the batteries are fully charged. See VI. “Batteries and Charging.”
- Push in the main circuit breaker reset button. See V. “Your Scooter.”
- Make certain that both battery harnesses are firmly connected to the rear electronics module and to the battery terminals. See IX. “Disassembly and Assembly.”
- Make sure that the front-to-rear harness is firmly connected to the rear electronics module. See IX. “Disassembly and Assembly.”
- Be sure the power down timer feature has not been activated. See VII “Operation.”
- Check the 5-amp fuse located on the lower portion of the tiller console. See XI. “Care and Maintenance” for fuse replacement.

What if my scooter does not move when I press the throttle control lever?

- With the key turned to the on position, check the status LED. If the LED flashes three times, pauses, then flashes two times, this is the manual freewheel lever code and means your scooter is in freewheel mode.
- When the manual freewheel lever is pushed down, the brakes are disengaged and all power to the transaxle is cut.
- Pull up on the manual freewheel lever, turn the scooter off, and then turn the scooter on, to return to normal scooter operation.

X. BASIC TROUBLESHOOTING

What if the main circuit breaker repeatedly trips?

- Charge the scooter's batteries more frequently. See VI. "Batteries and Charging."
- If the problem continues, have both of your scooter's batteries load tested by your authorized Pride Provider.
- You may also perform the load test yourself. Battery load testers are available at most automotive parts stores.
- Follow the directions supplied with the load tester.
- See VI. "Batteries and Charging" or IV. "Specifications" for information about your scooter's battery type.

What if the battery condition meter dips way down and the motor surges or hesitates when the throttle control lever is pressed? (See V. "Your Scooter.")

- Fully charge your scooter's batteries. See VI. "Batteries and Charging."
- Have your authorized Pride Provider load test each battery.
- Or, see the previous troubleshooting question for load testing the batteries yourself.

If you experience any problems with your scooter that you are not able to solve, immediately contact your authorized Pride Provider for information, maintenance, and service.

XI. CARE AND MAINTENANCE

Your scooter requires a minimal amount of care and maintenance. If you do not feel confident in your ability to perform the maintenance listed below, you may schedule inspection and maintenance at your authorized Pride Provider. The following areas require periodic inspection and/or care and maintenance.

TIRE PRESSURE

- If equipped with pneumatic tires, always maintain a proper **30-35 psi** tire pressure.



WARNING! It is important that 30-35 psi tire pressure be maintained in pneumatic tires at all times. Do not underinflate or overinflate your tires. Low pressure may result in loss of control, and overinflated tires may burst. Failure to maintain 30-35 psi tire pressure in pneumatic tires at all times may result in tire and/or wheel failure, causing serious personal injury and/or damage to your scooter.

- Regularly inspect your scooter's tires for signs of wear.

EXTERIOR SURFACES

Bumpers, tires, and trim can benefit from an occasional application of rubber or vinyl conditioner.



WARNING! Do not use a rubber or vinyl conditioner on the scooter's vinyl seat or tire tread. They will become dangerously slippery and result in personal injury and/or damage to your scooter.

BATTERY TERMINAL CONNECTIONS

- Make certain that the terminal connections remain tight and uncorroded.
- The batteries must sit flat in the battery wells.
- The battery terminals should face the rear of the scooter.

WIRING HARNESSES

- Regularly check all wiring connections.
- Regularly check all wiring insulation, including the charger power cord, for wear or damage.
- Have your authorized Pride Provider repair or replace any damaged connector, connection, or insulation that you find before using your scooter again.

ABS PLASTIC SHROUDS

- The front tiller shroud, front shroud, and the rear shroud are formed from durable ABS plastic and are coated with an advanced formula urethane paint.
- A light application of car wax will help the shrouds retain their high gloss.

AXLE BEARINGS AND THE MOTOR/TRANSAXLE ASSEMBLY

These items are all prelubricated, sealed, and require no subsequent lubrication.

MOTOR BRUSHES

The motor brushes are housed inside of the motor transaxle/assembly. They should be inspected periodically for wear by your authorized Pride Provider.

XI. CARE AND MAINTENANCE

CONSOLE, CHARGER, AND REAR ELECTRONICS

- Keep these areas free of moisture.
- Allow these areas to dry thoroughly if they have been exposed to moisture before operating your scooter again.

FUSE REPLACEMENT

In the event a fuse should cease to work:

- Remove the fuse by pulling it out of its slot.
- Examine the fuse to be sure it is blown. See figures 20 and 21.
- Insert a new fuse of the proper rating.

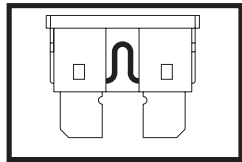


Figure 20. Working Fuse

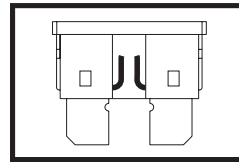


Figure 21. Blown Fuse (Replace)



WARNING! The replacement fuse must exactly match the rating of the new fuse. Failure to use properly rated fuses may cause damage to the electrical system and may result in personal injury.

LIGHT BULB REPLACEMENT

Light bulbs for the scooter are easily replaceable.

NOTE: Only use 24-volt light bulbs.

- Remove the light cover.
- Gently remove the bulb by pulling it straight out.
- Insert a new 24V, 5-watt bulb.
- Replace the light cover.

NOTE: Replacement light bulbs can be purchased from your authorized Pride Provider.

STORING YOUR SCOOTER

If you plan on not using your scooter for an extended period of time, it is best to:

- Fully charge its batteries prior to storage.
- Disconnect both battery harnesses.
- Store your scooter in a warm, dry environment.
- Avoid storing your scooter where it will be exposed to temperature extremes.



WARNING! Always protect batteries from freezing temperatures and never charge a frozen battery. This damages the battery and can cause personal injury.

For prolonged storage, you may wish to place several boards under the frame of your scooter to raise it off of the ground. This takes the weight off the tires and reduces the possibility of flat spots developing on the areas of the tires contacting the ground.

XII. WARRANTY

THREE-YEAR LIMITED WARRANTY

For three (3) years from the date of purchase, Pride will repair or replace at our option to the original purchaser, free of charge, any of the following parts found upon examination by an authorized representative of Pride to be defective in material and/or workmanship:

Structural frame components, including:

- Main Frame
- Fork
- Seat Post
- Tiller Frame

THREE-YEAR PRORATA WARRANTY

Three-year prorata drivetrain warranty, including:

- Transaxle
- Motor Brake (electronic function ONLY)
- Brake

These components will be prorated on the following schedule:

- First year: 100% replacement of parts cost
- Second year: 67% replacement of parts cost
- Third year: 50% replacement of parts cost

NOTE: If there is an increase in the operational noise level in the transaxle, the warranty does not apply. An increase in operational noise level usually occurs due to abusive and excessive strain on the scooter.

ONE-YEAR LIMITED WARRANTY

For one (1) year from the date of purchase, Pride will repair or replace at our option to the original purchaser, free of charge, any of the following parts found upon examination by an authorized representative of Pride to be defective in material and/or workmanship:

- Bearings
- Bushings
- Rubber Components
- Plastic components except body

Also, electronic assemblies including:

- Electronic Controllers
- Chargers
- Harnesses
- Any other electrical subassembly

SIX-MONTH WARRANTY

The battery is covered by a separate six-month warranty, provided by the battery manufacturer. The batteries are not warranted by Pride.

RECONDITIONED UNITS WARRANTY

All reconditioned units are covered by a six-month warranty from Pride effective from the date of purchase.

WARRANTY EXCLUSIONS

This warranty does not extend to those items which may require replacement due to normal wear and tear.

- ABS Plastic shrouds
- Motor brushes
- Upholstery and seating
- Brake Pads
- Tires and tubes
- Fuses/Bulbs

XII. WARRANTY

- Circumstances beyond the control of Pride
- Labor, service calls, shipping, and other charges incurred for repair of the product, unless specifically authorized, IN ADVANCE, by Pride Mobility Products Corporation
- Repairs and/or modifications made to any part without specific consent from Pride

Exclusions also include components with damage caused by:

- Contamination
- Abuse, misuse, accident, or negligence
- Battery fluid spillage or leakage
- Commercial use, or use other than normal
- Improper operation, maintenance, or storage

NOTE: Gradual deterioration in performance because the battery has been left in a discharged state, left in cold conditions for an extended period of time, or worn out through heavy use is not covered.

SERVICE CHECKS AND WARRANTY SERVICE

Warranty service must be performed by an authorized Pride Provider. Do not return faulty parts to Pride without prior written authorization. All transportation costs and shipping damage incurred while submitting parts for repair or replacement are the responsibility of the purchaser. Please contact your authorized Pride Provider for information on the current cost associated with a service visit.

There is no other express warranty.

IMPLIED WARRANTIES

Implied warranties, including those of merchantability and fitness for a particular purpose, are limited to one (1) year from the date of original purchase and to the extent permitted by law. Any and all implied warranties are excluded. This is the exclusive remedy. Liabilities for consequential damages under any and all warranties are excluded.

Some states do not allow limitations on how long an implied warranty lasts or do not allow the exclusion of limitation of incidental or consequential damages. So, the above limitation or exclusion may not apply to you.



Pride
Mobility Products Corp.

182 Susquehanna Ave.
Exeter, PA 18643
1-800-800-8586

www.pridemobility.com