

Sonic

Owner's Manual



The Ultimate In Style & Performance[®]

Pride
Mobility Products Corp.

Exeter, PA

St. Catharines, ON

1-800-800-8586

www.pridemobility.com

SAFETY GUIDELINES

Please read and follow all instructions in this owner's manual before attempting to operate your scooter for the first time. If there is anything in this manual you do not understand, or if you require additional assistance for setup, contact your scooter specialist.

Using your Pride product safely depends upon your diligence in following the warnings, cautions, and instructions in this owner's manual. Using your Pride product safely also depends upon your own good judgement and/or common sense, as well as that of your provider, caregiver, and/or healthcare professional. Pride is not responsible for injuries and/or damage resulting from any person's failure to follow the warnings, cautions, and instructions in this owner's manual. Pride is not responsible for injuries and/or damage resulting from any person's failure to exercise good judgement and/or common sense.

The symbols below are used throughout this owner's manual and on the scooter to identify warnings, cautions, and important information. It is very important for you to read and understand them completely.



WARNING! Failure to follow designated procedures can cause personal injury or component damage or malfunction (black symbol on yellow triangle with black border).



MANDATORY! These actions should be performed as specified. Failure to perform mandatory actions can cause injury to personnel and/or damage to equipment (white symbol on blue dot with white border).



PROHIBITED! These actions should be prohibited. These actions should not be performed at any time or in any circumstances. Performing a prohibited action can cause injury to personnel and/or damage to equipment (black symbol with red circle and red slash).



NOTE: Supplemental information that may be helpful to operate the equipment.

CONTENTS

I. INTRODUCTION	4
II. SAFETY	6
III. EMI/RFI	17
IV. SPECIFICATIONS	18
V. YOUR SCOOTER	20
VI. BATTERIES AND CHARGING	23
VII. OPERATION	27
VIII. COMFORT ADJUSTMENTS	29
IX. DISASSEMBLY AND ASSEMBLY	30
X. BASIC TROUBLESHOOTING	33
XI. CARE AND MAINTENANCE	35
XII. WARRANTY	36

I. INTRODUCTION

SAFETY

WELCOME to Pride Mobility Products Corporation (Pride). The product you have purchased combines state-of-the-art components with **safety**, comfort, and styling in mind. We are confident that the design features will provide you with the conveniences you expect during your daily activities. Understanding how to **safely** operate and care for this product should bring you years of trouble free operations and service.

Read and follow all instructions, warnings, and notes in this manual and all other accompanying literature before attempting to operate this product for the first time. In addition, your **safety** depends upon you, as well as your provider, caretaker, or healthcare professional in using good judgement.

If there is any information in this manual which you do not understand, or if you require additional assistance for setup or operation, please contact your authorized Pride Provider. **Failure to follow the instructions, warnings, and notes in this manual and those located on your Pride product can result in personal injury or product damage and will void Pride's product warranty.**

INTERNET AND PRIVATE PURCHASES

The contents of this manual are based on the expectation that the prescribing healthcare professional and/or the authorized Pride Provider has properly fit the scooter to the user and has assisted the user in the instruction process for the use of the product.

If you purchased the scooter over the internet or from a previous owner and you have any questions about the safe use and/or maintenance of the product, please visit the Pride web site or contact your authorized Pride Provider.

PURCHASER'S AGREEMENT TO ENSURE SAFE OPERATION

By accepting delivery of this product, you promise that you will not change, alter, or modify this product or remove or render inoperable or unsafe any guards, shields, or other safety features of this product; fail, refuse, or neglect to install any retrofits kits from time to time provided by Pride to enhance or preserve the safe use of this product.

PRODUCT INFORMATION

This owner's manual is compiled from the latest specifications and product information available at the time of publication. We reserve the right to make changes as they become necessary. Any changes to our products may cause slight variations between the illustrations, photographs, explanations, and specifications in this manual and the product you have purchased.

I. INTRODUCTION

INFORMATION EXCHANGE

We want to hear your questions, comments, and suggestions about this manual. We would also like to hear about the safety and reliability of your new scooter, and about the service you received from your authorized Pride Provider.

Please notify us of any change of address, so we can keep you apprised of important information about safety, new products, and new options that can increase your ability to use and enjoy your scooter. Please feel free to contact us at the address below:

Pride Mobility Products Corporation
Attn: Customer Care Department
182 Susquehanna Ave.
Exeter, PA 18643-2694

customercare@pridemobility.com
800.424.8205

PRIDE OWNERS CLUB

As an owner of a Pride product, you are encouraged to enroll in the Pride Owners Club. Complete and return your enclosed product registration card or visit Pride's web site at www.pridemobility.com. As a registered member, each time you visit our site, you have access to the most interactive, educational venue available today for people with mobility needs, their families, and friends.

From our home page, select "Owners Club" to enter a page dedicated to current and potential Pride product owners. You will gain access to interviews, stories, recreation ideas, daily living tips, product and funding information, and interactive message boards. These message boards invite you to communicate with other Pride customers as well as Pride representatives who are available to assist you with any questions or concerns you may have.

My authorized Pride Provider:

Name: _____

Address: _____

Phone Number: _____

Purchase Date: _____



NOTE: If you ever lose or misplace your product registration card or your copy of this manual, contact us and we will be glad to send you a new one immediately.

II. SAFETY

PRODUCT SAFETY SYMBOLS

The symbols below are used on the scooter to identify warnings, mandatory actions, and prohibited actions. It is very important for you to read and understand them completely.



Read and follow the information in the owner's manual.



Maximum seating weight.



Pinch/Crush points created during assembly.



EMI-RFI- This product has been tested and passed at an immunity level of 20 V/m.



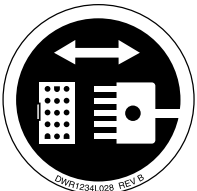
Do not use a cell phone, walkie/talkie, laptop, or other radio transmitter while operating.



Locked and in drive mode.

Place unit on level ground and stand behind or to one side when changing from drive mode to freewheel mode or freewheel mode to drive mode.

Unlocked and in freewheel mode.



Front-to-rear plug orientation.

II. SAFETY



Corrosive chemicals contained in battery. Use only AGM or Gel-Cell batteries to reduce the risk of leakage or explosive conditions.



Explosive conditions.



Use only AGM or Gel-Cell batteries.



Contact with tools can cause electrical shock.



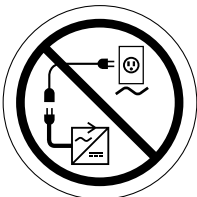
Do not remove anti-tip wheels.



Avoid exposure to rain, snow, ice, salt, or standing water whenever possible. Maintain and store in a clean and dry condition.



Removal of grounding prong can create electrical hazard. If necessary, properly install an approved 3-pronged adapter to an electrical outlet having 2-pronged plug access. Failure to heed could result in personal injury and/or property damage.



Prevent personal injury and equipment damage. Do not connect an extension cord to the AC/DC converter or the battery charger.

II. SAFETY

GENERAL



WARNING! Do not operate your new scooter for the first time without completely reading and understanding this owner's manual.

Your scooter is a state-of-the-art life-enhancement device designed to increase mobility. Pride provides an extensive variety of products to best fit the individual needs of the scooter user. Please be aware that the final selection and purchasing decision regarding the type of scooter to be used is the responsibility of the scooter user who is capable of making such a decision and his/her healthcare professional (i.e., medical doctor, physical therapist, etc.).

There are certain situations, including some medical conditions, where the scooter user will need to practice operating the scooter in the presence of a trained attendant. A trained attendant can be defined as a family member or care professional specially trained in assisting a scooter user in various daily living activities.

As you begin using your scooter during daily activities, you will probably encounter situations in which you will need some practice. Simply take your time and you will soon be in full and confident control as you maneuver through doorways, on and off of elevators, up and down ramps, and over moderate terrain.

Below are some precautions, tips, and other safety considerations that will help the user become accustomed to operating the scooter safely.

MODIFICATIONS

Pride has designed and engineered your scooter to provide maximum mobility and utility. However, under no circumstances should you modify, add, remove, or disable any feature, part, or function of your scooter.



WARNING! Do not modify your scooter in any way not authorized by Pride. Unauthorized modifications may result in personal injury and/or damage to your scooter.

REMOVABLE PARTS



WARNING! Do not attempt to lift or move your scooter by any of its removable parts. Personal injury and damage to the scooter may result.

ELECTROMAGNETIC FIELDS

Your scooter's road performance features may be influenced by electromagnetic fields caused by cellular telephones or other radiating devices, such as hand-held radios, radio and television stations, wireless computer links, microwave sources, and paging transmitters.

II. SAFETY

PRE-RIDE SAFETY CHECK

Get to know the feel of your scooter and its capabilities. Pride recommends that you perform a safety check before each use to make sure your scooter operates smoothly and safely. For details on how to perform these necessary inspections, see XI. “Care and Maintenance.”

Perform the following inspections prior to using your scooter:

- Check for proper tire inflation (if equipped with pneumatic tires).
- Check all electrical connections. Make sure they are tight and not corroded.
- Check all harness connections. Make sure they are secured properly.
- Check the brakes.
- Check battery charge.

If you discover a problem, contact your authorized Pride Provider for assistance.

TIRE INFLATION

If your scooter is equipped with pneumatic tires, you should check or have the air pressure checked at least once a week. Proper inflation pressures will prolong the life of your tires and help ensure the smooth operation of your scooter.



WARNING! It is critically important that 30-35 psi tire pressure be maintained in pneumatic tires at all times. Do not underinflate or overinflate your tires. Low pressure may result in loss of control, and overinflated tires may burst. Failure to maintain 30-35 psi tire pressure in pneumatic tires at all times may result in tire and/or wheel failure, causing serious personal injury and/or damage to your scooter.

WARNING! Inflate your scooter tires from a regulated air source with an available pressure gauge. Inflating your tires from an unregulated air source could overinflate them, resulting in a burst tire and/or personal injury.

WEIGHT LIMITATIONS

Your scooter is rated for a maximum weight capacity. Refer to the specifications table for information.



WARNING! Exceeding the weight capacity voids your warranty and may result in personal injury and damage to your scooter. Pride will not be held responsible for injuries and/or property damage resulting from failure to observe weight limitations.

WARNING! Do not carry passengers on your scooter. Carrying passengers may result in personal injury and/or property damage.

INCLINE INFORMATION

More and more buildings have ramps with specified degrees of inclination, designed for easy and safe access. Some ramps may have turning switchbacks (180-degree turns) that require you to have good cornering skills on your scooter.

- Proceed with extreme caution as you approach the downgrade of a ramp or other incline.
- Take wide swings with your scooter around any tight corners. If you do that, the scooter’s rear wheels will follow a wide arc, not cut the corner short, and not bump into or get hung up on any railing corners.
- When driving down a ramp, keep the scooter’s speed adjustment set to the slowest speed setting to ensure a safely controlled descent.
- Avoid sudden stops and starts.

II. SAFETY

When climbing an incline, try to keep your scooter moving. If you must stop, start up again slowly, and then accelerate cautiously. When driving down an incline, do so by setting the speed adjustment dial to the slowest setting and driving in the forward direction only. If your scooter starts to move down the incline faster than you anticipated or desired, allow it to come to a complete stop by releasing the throttle control lever. Then push the throttle control lever forward slightly to ensure a safely controlled descent.

WARNING! When climbing an incline, do not zigzag or drive at an angle up the face of the incline. Drive your scooter straight up the incline. This greatly reduces the possibility of a tip or a fall. Always exercise extreme caution when negotiating an incline.

WARNING! Do not drive your scooter across the side of an incline or diagonally up or down a hill; do not stop, if possible, while driving up or down an incline.



WARNING! You should not travel up or down a potentially hazardous incline (i.e., areas covered with snow, ice, cut grass, or wet leaves).

WARNING! When on any sort of an incline or decline, never place the scooter in freewheel mode while seated on it or standing next to it.

WARNING! Even though your scooter is capable of climbing slopes greater than those illustrated in figure 1 do not, under any circumstances, exceed the incline guidelines or any other specifications presented in this manual. Doing so could cause instability in your scooter, resulting in personal injury and/or damage to your scooter.

Handicap public access ramps are not subject to government regulation in all countries, and therefore do not necessarily share the same standard percent of slope. Other inclines may be natural or, if man-made, not designed specifically for scooters. Figure 1 illustrates your scooter's stability and its ability to climb grades under various weight loads and under controlled testing conditions.

These tests were conducted with the scooter's seat in the highest position and adjusted rearward on the seat base to its farthest rearward position. Use this information as a guideline. Your scooter's ability to travel up inclines is affected by your weight, your scooter's speed, your angle of approach to the incline, and your scooter setup.

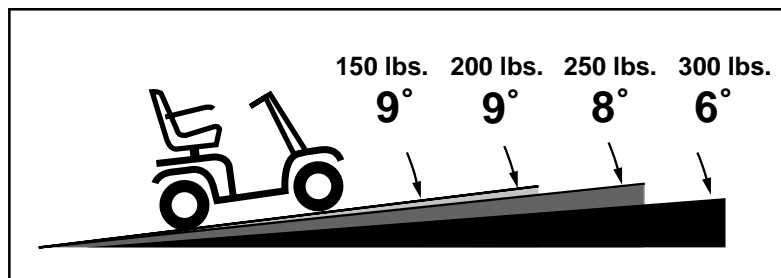


Figure 1. Maximum Recommended Incline Angles



WARNING! Any attempt to climb or descend a slope steeper than what is shown in figure 1 may put your scooter in an unstable position and cause it to tip, resulting in personal injury.

II. SAFETY

When you approach an incline, it is best to lean forward. See figures 2 and 2A. This shifts the center of gravity of you and your scooter toward the front of the scooter for improved stability.

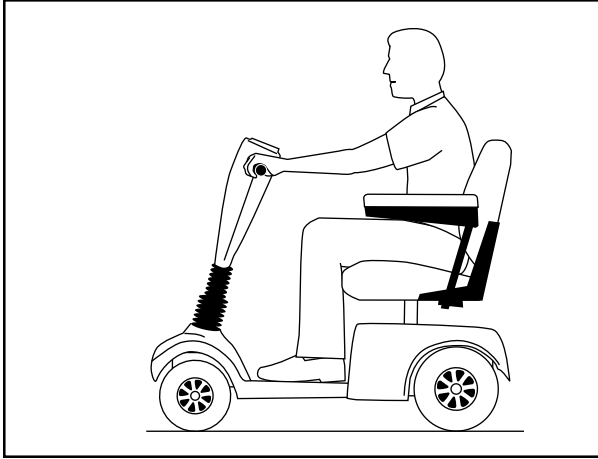


Figure 2. Normal Driving Position

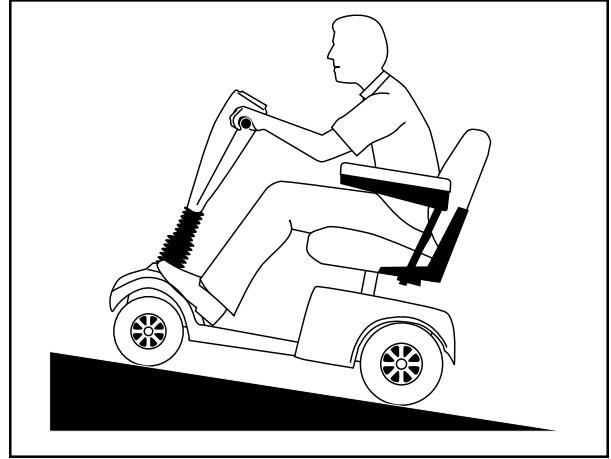


Figure 2A. Increased Stability Driving Position

CORNERING INFORMATION

Excessively high cornering speeds can create the possibility of tipping. Factors which affect the possibility of tipping include, but are not limited to, cornering speed, steering angle (how sharply you are turning), uneven road surfaces, inclined road surfaces, riding from an area of low traction to an area of high traction (such as passing from a grassy area to a paved area – especially at high speed while turning), and abrupt directional changes. High cornering speeds are not recommended. If you feel that you may tip over in a corner, reduce your speed and steering angle (i.e., lessen the sharpness of the turn) to prevent your scooter from tipping.



WARNING! When cornering sharply, reduce your speed. When using your scooter at higher speeds, do not corner sharply. This greatly reduces the possibility of a tip or fall. To avoid personal injury or property damage, always exercise common sense when cornering.

BRAKING INFORMATION

Your scooter is equipped with these powerful brake systems:

- Regenerative: Uses electricity to rapidly slow the vehicle when the throttle control lever returns to the center/stop position.
- Disc Park Brake: Activates mechanically after regenerative braking slows the vehicle to near stop, or when power is removed from the system for any reason.

II. SAFETY

OUTDOOR DRIVING SURFACES

Your scooter is designed to provide optimum stability under normal driving conditions—dry, level surfaces composed of concrete, blacktop, or asphalt. However, Pride recognizes that there will be times when you will encounter other surface types. For this reason, your scooter is designed to perform admirably on packed soil, grass, and gravel. Feel free to use your scooter safely on lawns and in park areas.

- Reduce your scooter's speed when driving on uneven terrain and/or soft surfaces.
- Avoid tall grass that can become tangled in the running gear.
- Avoid loosely packed gravel and sand.
- If you feel unsure about a driving surface, avoid that surface.

PUBLIC STREETS AND ROADWAYS



WARNING! You should not operate your scooter on public streets and roadways. Be aware that it may be difficult for traffic to see you when you are seated on your scooter. Obey all local pedestrian traffic rules. Wait until your path is clear of traffic, and then proceed with extreme caution.

STATIONARY OBSTACLES (STEPS, CURBS, ETC.)

WARNING! Do not drive near raised surfaces, unprotected ledges, and/or drop-offs (curbs, porches, stairs, etc.).

WARNING! Do not attempt to have your scooter climb or descend an obstacle that is inordinately high. Serious personal injury and/or damage may result.



WARNING! Do not attempt to have your scooter proceed rearward down any step, curb, or other obstacle. This may cause the scooter to tip and cause personal injury.

WARNING! Be sure your scooter is traveling perpendicular to any curb you may be required to ascend or descend. See figures 3 and 3A.

WARNING! Do not attempt to negotiate a curb that has a height greater than 2 in.

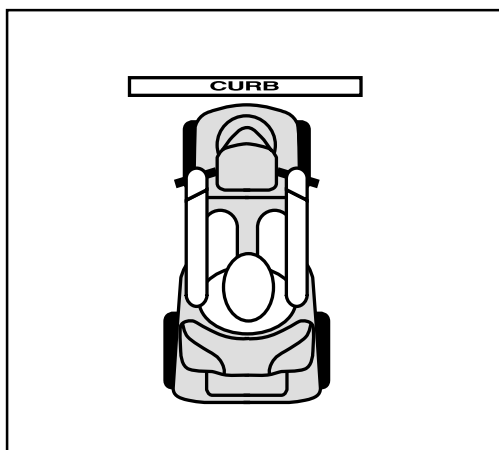


Figure 3. Correct Curb Approach

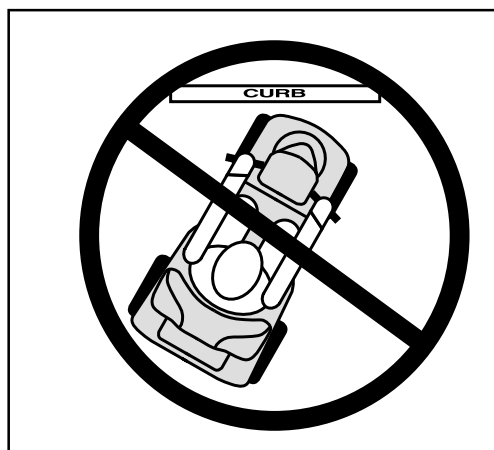


Figure 3A. Incorrect Curb Approach

II. SAFETY

INCLEMENT WEATHER PRECAUTIONS



WARNING! Pride recommends that you do not operate your scooter in icy or slippery conditions or on salted surfaces (i.e., walks or roads). Such use may result in an accident, personal injury, or adversely affect the performance and safety of your scooter.

WARNING! Do not operate or store your scooter where it may be exposed to inclement weather conditions such as rain, snow, mist, and below freezing temperatures (such as storage on an outside car/van lift). Attempting to operate the scooter in such conditions can damage the electronics and potentially result in loss of control.

FREEWHEEL MODE

Your scooter is equipped with a manual freewheel lever that, when pulled back, allows the scooter to be pushed. For more information about how to place your scooter into and out of freewheel mode, see V. “Your Scooter.”



WARNING! When your scooter is in freewheel mode, the braking system is disengaged.

- **Disengage the drive motor only on a level surface.**
- **Ensure the key is removed from the key switch.**
- **Stand behind the scooter to engage or disengage freewheel mode. Never sit on a scooter to do this.**
- **After you have finished pushing your scooter, always return it to the drive mode to lock the brakes.**

Failure to heed the above could result in personal injury and/or damage to your scooter.

An added feature built into your scooter is “**push-too-fast**” protection which safeguards the scooter against gaining excessive speed while in freewheel mode.

“Push-too-fast” operates differently depending on which of two conditions exists:

- If the key is switched “off” while in freewheel mode, the scooter’s controller activates regenerative braking when the scooter is pushed faster than a maximum threshold which has been preprogrammed. In this case, the controller is acting as a speed governor.
- If the key is switched “on” while in freewheel mode, you will encounter considerable resistance at any speed. This prevents the scooter from gaining unwanted momentum should the manual freewheel lever inadvertently be released while driving the scooter.

II. SAFETY

STAIRS AND ESCALATORS

Scooters are not designed to travel up or down stairs or escalators. Always use an elevator.



WARNING! Do not use your scooter to negotiate steps or escalators. You may cause injury to yourself and to others and/or damage your scooter.

DOORS

- Determine if the door opens toward or away from you.
- Use your hand to turn the knob or push the handle or push-bar.
- Drive your scooter gently and slowly forward to push the door open. Or drive your scooter gently and slowly rearward to pull the door open.

ELEVATORS

Modern elevators have a door edge safety mechanism that, when pushed, reopens the door(s).

- If you are in the doorway of an elevator when the door(s) begin to close, push on the rubber door edge or allow the rubber door edge to contact the scooter and the door will reopen.
- Use care that pocketbooks, packages, or scooter accessories do not become caught in elevator doors.

LIFT/ELEVATION PRODUCTS

If you will be traveling with your scooter, you may find it necessary to use a lift/elevation product to aid in transportation. Pride recommends that you closely review the instructions, specifications, and safety information set forth by the manufacturer of the lift/elevation product before using that product.



WARNING! Never sit on your scooter when it is being used in connection with any type of lift/elevation product. Your scooter was not designed for such use, and any damage or injury incurred from such use is not the responsibility of Pride.

BATTERIES

In addition to following the warnings below, be sure to comply with all other battery handling information.

WARNING! Scooter batteries are heavy (refer to specifications table). Lifting weight beyond your capacity could result in personal injury. If necessary, get someone physically able to lift the scooter batteries for you.

WARNING! Battery posts, terminals, and related accessories contain lead and lead compounds. Wash hands after handling.



WARNING! Always protect the batteries from freezing and never charge a frozen battery. Charging a frozen battery may result in personal injury and/or damage to the battery.

WARNING! RED (+) cables must be connected to positive (+) battery terminals/posts. BLACK (-) cables must be connected to negative (-) battery terminals/posts. Failure to connect your battery cables in the proper manner may result in personal injury and/or damage to your scooter. REPLACE cables immediately if damaged.

BATTERY DISPOSAL AND RECYCLING

If you encounter a damaged or cracked battery, immediately enclose it in a plastic bag and call your authorized Pride Provider for instructions on disposal. Your authorized Pride Provider will also have the necessary information on battery recycling, which is our recommended course of action.

II. SAFETY

MOTOR VEHICLE TRANSPORT

Currently, there are no standards approved for tie-down systems in a moving vehicle of any type to transport a person while seated in a scooter.

Although your scooter may be equipped with a positioning belt, this belt is not designed to provide proper restraint during motor vehicle transport. Anyone traveling in a motor vehicle should be properly secured in the motor vehicle seat with safety belts fastened securely.



WARNING! Do not sit on your scooter while it is in a moving vehicle. Personal injury and/or property damage may result.

WARNING! Always be sure your scooter and its batteries are properly secured when it is being transported. Failure to do so may result in personal injury and/or damage to your scooter.

PREVENTING UNINTENDED MOVEMENT



WARNING! If you anticipate being seated in a stationary position for an extended period of time, turn off the power. This will prevent unexpected motion from inadvertent throttle control lever contact. Failure to do so may result in personal injury.

GETTING ONTO AND OFF OF YOUR SCOOTER

Getting onto and off of your scooter requires a good sense of balance. Please observe the following safety tips when getting onto and off of your scooter:

- Ensure that your scooter is not in freewheel mode. See V. “Your Scooter.”
- Make certain that the seat is locked into place and the key is removed from the key switch.
- The seat armrests can be flipped up to make getting onto and off of the scooter easier.

WARNING! Position yourself as far back as possible in the scooter seat to prevent the scooter from tipping and causing injury.



WARNING! Avoid using your armrests for weight bearing purposes. Such use may cause the scooter to tip and cause personal injury.

WARNING! Avoid putting all of your weight on the floorboard. Such use may cause the scooter to tip and cause personal injury.

REACHING AND BENDING

Avoid reaching or bending while driving your scooter. When reaching, bending, or leaning while seated on your scooter, it is important to maintain a stable center of gravity and keep the scooter from tipping. Pride recommends that the scooter user determine his/her personal limitations and practice bending and reaching in the presence of a qualified healthcare professional.



WARNING! Do not bend, lean, or reach for objects if you have to pick them up from the floor by reaching down between your knees. Movements such as these may change your center of gravity and the weight distribution of the scooter and cause your scooter to tip, possibly resulting in personal injury. Keep your hands away from the tires when driving.

II. SAFETY

POSITIONING BELTS

Your authorized Pride Provider, therapist(s), and other healthcare professionals are responsible for determining your requirement for a positioning belt in order to operate your scooter safely.



WARNING! If you require a positioning belt to safely operate your scooter, make sure it is fastened securely. Serious personal injury may result if you fall from the scooter.

PRESCRIPTION DRUGS/PHYSICAL LIMITATIONS

The scooter user must exercise care and common sense when operating his/her scooter. This includes awareness of safety issues when taking prescribed or over-the-counter drugs or when the user has specific physical limitations.



WARNING! Consult your physician if you are taking prescribed or over-the-counter medication or if you have certain physical limitations. Some medications and limitations may impair your ability to operate your scooter in a safe manner.

ALCOHOL

The scooter user must exercise care and common sense when operating his/her scooter. This includes awareness of safety issues while under the influence of alcohol.



WARNING! Do not operate your scooter while you are under the influence of alcohol, as this may impair your ability to drive safely.

III. EMI/RFI

ELECTROMAGNETIC AND RADIO FREQUENCY INTERFERENCE (EMI/RFI)

Laboratory tests have shown that electromagnetic and radio frequency waves can have an adverse affect on the performance of electrically-powered mobility vehicles. The interference can come from sources such as cellular phones, mobile two-way radios (such as walkie-talkies), radio stations, TV stations, amateur radio (HAM) transmitters, wireless computer links, microwave signals, and paging transmitters. In some cases, these waves can cause unintended movement.



This product has been tested and has passed at an immunity level of 20 V/m.



PROHIBITED! To prevent unintended movement, turn off the power to the electrically-powered mobility vehicle before using a cell phone, two-way radio, lap-top, or any other type of radio transmitter.



WARNING! The electrically-powered mobility vehicle itself can disturb the performance of other electrical devices located nearby, such as alarm systems.



NOTE: For further information on EMI/RFI, go to www.pridemobility.com. If unintended motion or brake release occurs, turn the power chair off as soon as it is safe to do so. Call Pride at 800-424-8205 to report the incident.

IV. SPECIFICATIONS

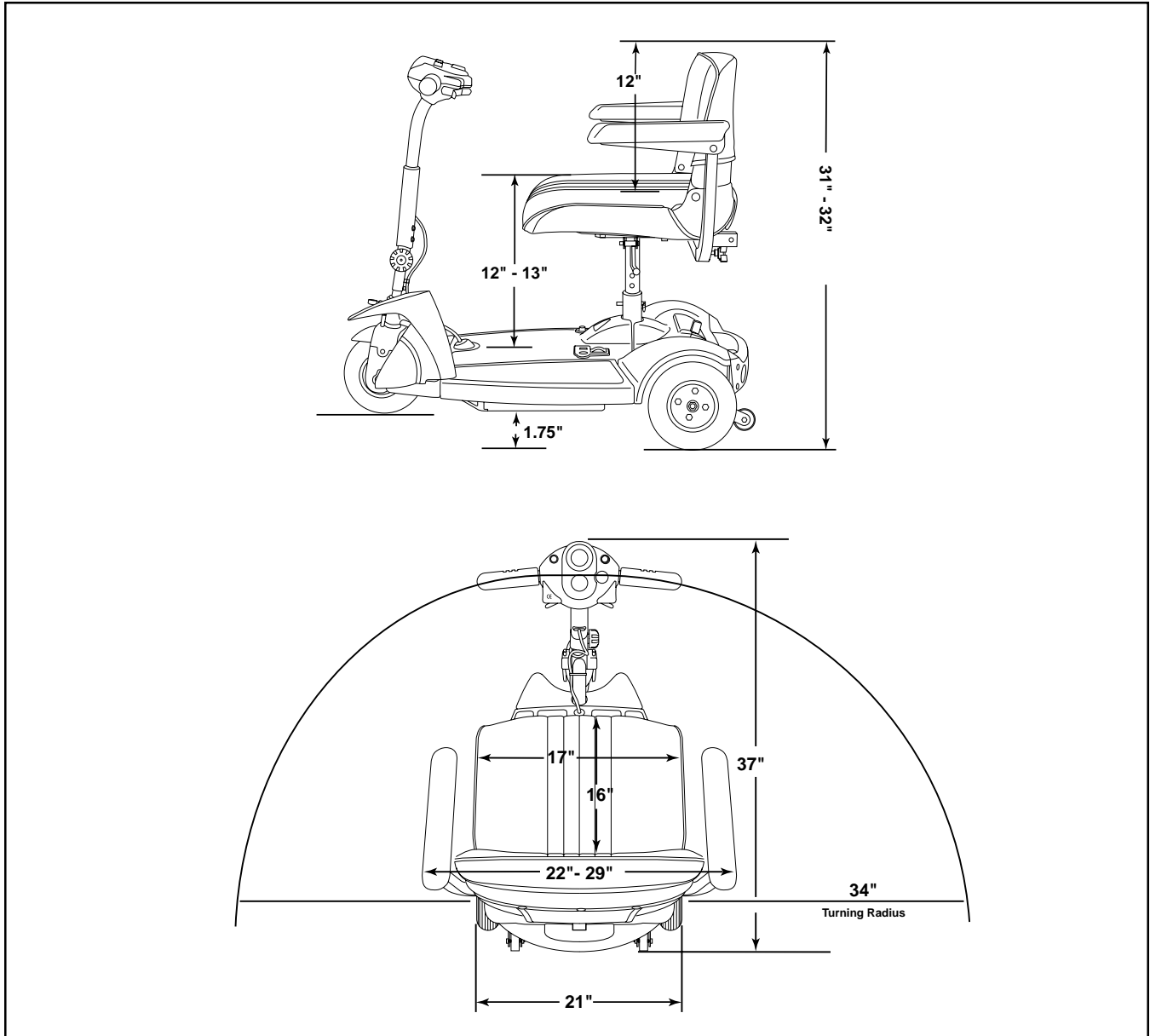


Figure 4. Sonic Dimensions

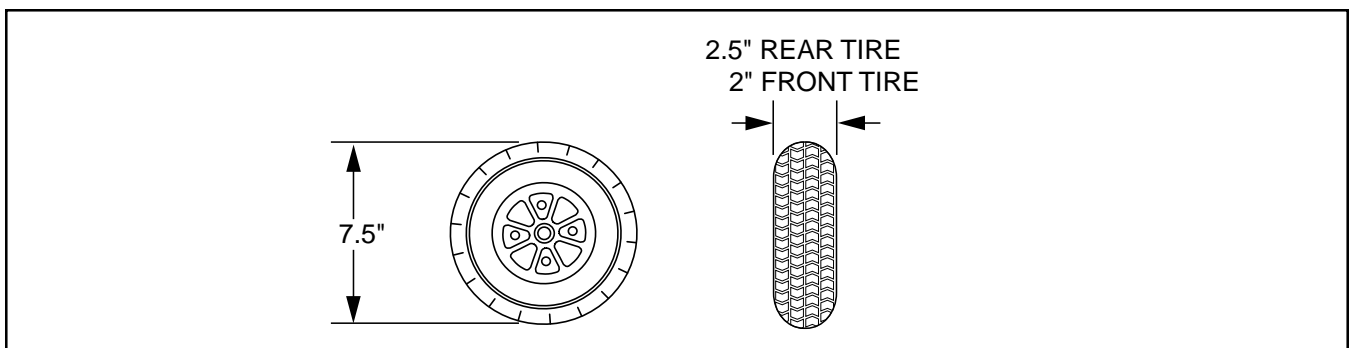


Figure 4A. Sonic Tire Dimensions

IV. SPECIFICATIONS

Model Numbers	SC50
Colors	Red, Blue
Overall Length	37 in.
Overall Width	21 in.
Total Weight Without Batteries	93 lbs.
Heaviest Piece When Disassembled	35 lbs.
Turning Radius	34 in.
Speed (maximum)	Variable up to 4.25 mph
Range Per Charge*	(With 12 AH batteries) Up to 10 miles
Ground Clearance	1.75 in.
Weight Capacity	300 lbs.
Standard Seating	Type: Foldable molded plastic Dimensions: 17 in. width 16 in. depth (usable) 12 in. height (usable) Material: Charcoal fabric
Drive System	Rear-wheel drive, sealed transaxle, 24 volt DC motor
Dual Braking System	Electronic, regenerative, and electromechanical
Tires	Type: solid; front: 2 in. x 7.5 in. rear: 2.5 in. x 7.5 in.
Battery Requirements	Type: Two 12 volt, deep cycle (AGM or Gel-Cell) Size: 12 AH Weight: 9 lbs. each
Battery Charger	Off-board charger

* Varies with user weight, terrain type, battery charge, battery condition, and tire condition.

V. YOUR SCOOTER

TILLER CONSOLE

The tiller console houses all controls needed to drive your scooter, including the speed adjustment dial, key switch, throttle control lever, battery condition meter, status LED, and horn button. See figure 5.



WARNING! Do not expose the tiller console to moisture. In the event that the tiller console does become exposed to moisture, do not attempt to operate your scooter until the tiller console has dried thoroughly.

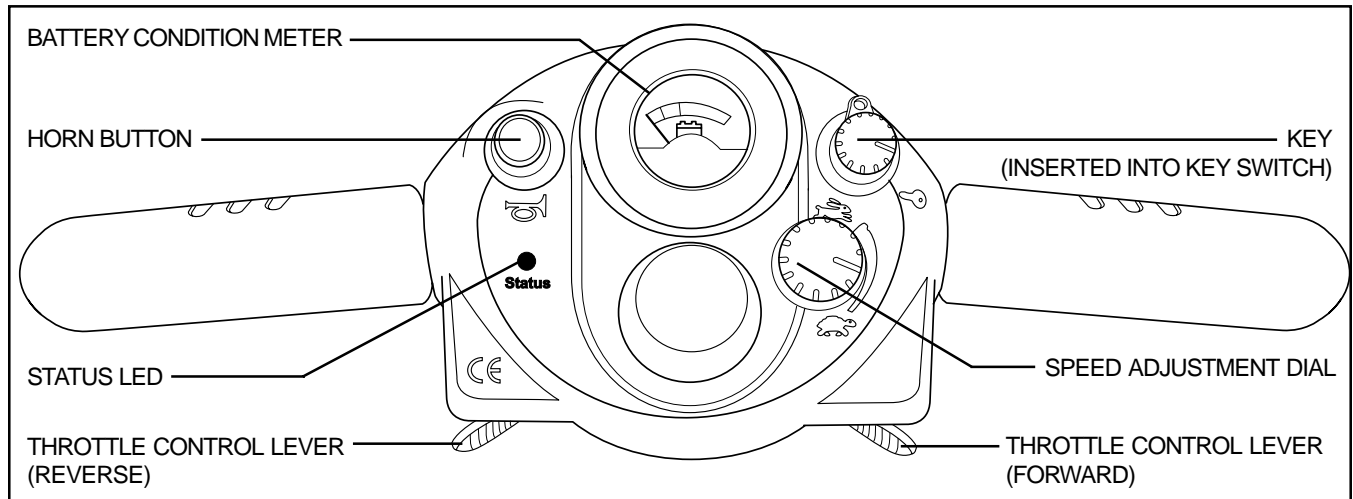


Figure 5. Tiller Console

Key Switch

- Fully insert the key into the key switch to power up (turn on) your scooter.
- Remove the key from the key switch to power down (turn off) your scooter.



WARNING! If the key is moved to the “off” position while your scooter is in motion, the electronic brakes will engage and your scooter will come to an abrupt stop!

Throttle Control Lever

This lever allows you to control the forward speed and the reverse speed of your scooter up to the maximum speed you preset with the speed adjustment dial.

- Place your right hand on the right handgrip and your left hand on the left handgrip.
- Use your right thumb to push the right side of the lever to disengage your scooter’s brakes and move forward.
- Release the lever and allow your scooter to come to a complete stop before pushing the other side of the lever to move in reverse.
- When the throttle control lever is completely released, it automatically returns to the center “stop” position and engages your scooter’s brakes.

Horn Button

The key must be fully inserted into the key switch for the horn to be operational.

- This button activates a warning horn.
- Do not hesitate to use the warning horn when doing so may prevent accident or injury.

Status LED

The status LED will alert you to electrical problems that may occur with the scooter. The LED remains constantly lit while your scooter is on. If the scooter develops an electrical problem, the status LED will flash a code. See X. “Basic Troubleshooting” for flash codes. If the status LED flashes a code other than a code listed, contact your authorized Pride Provider.

V. YOUR SCOOTER

Battery Condition Meter

The battery condition meter on the tiller console indicates the approximate strength of your batteries.

Speed Adjustment Dial

This dial allows you to preselect and limit your scooter's top speed.

- The image of the tortoise represents the slowest speed setting.
- The image of the hare represents the fastest speed setting.

REAR SECTION

The manual freewheel lever, anti-tip wheels, and the motor/transaxle assembly are located on the rear section of your scooter. See figure 6.

Manual Freewheel Lever

Whenever you need or want to push your scooter for short distances, you can put it in freewheel mode.

- The manual freewheel lever is located at the top left of the rear section.
- Push rearward on the manual freewheel lever to disable the drive system and the brake system.
- You may now push your scooter.
- Push the manual freewheel lever forward to reengage the drive and the brake systems; this takes your scooter out of freewheel mode.

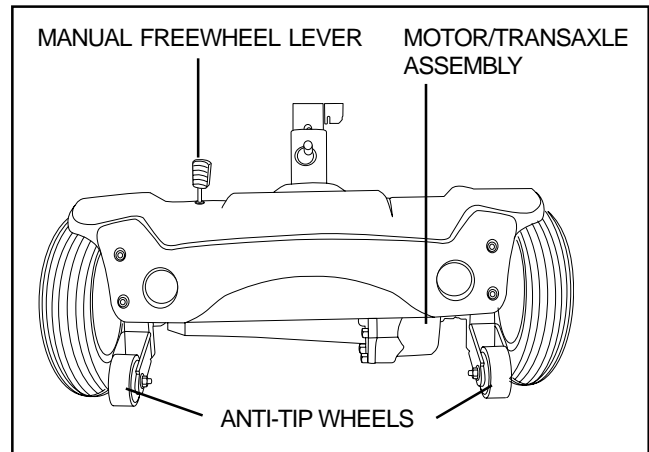


Figure 6. Rear Section



WARNING! When your scooter is in freewheel mode, the braking system is disengaged.

- **Disengage the drive motor only on a level surface.**
- **Ensure the key is removed from the key switch.**
- **Stand behind the scooter to engage or disengage freewheel mode. Never sit on a scooter to do this.**
- **After you have finished pushing your scooter, always return it to the drive mode to lock the brakes.**

Failure to heed the above could result in personal injury and/or damage to your scooter.

Anti-Tip Wheels

The anti-tip wheels are an integral and important safety feature of your scooter. Do not, under any circumstances, remove the anti-tip wheels from your scooter.



WARNING! Do not remove the anti-tip wheels or modify your scooter in any way that is not authorized by Pride.

Motor/Transaxle Assembly

The motor/transaxle assembly is an electromechanical unit that converts electrical energy from your scooter's batteries into the controlled mechanical energy that drives the scooter's wheels.

V. YOUR SCOOTER

BATTERY CHARGING COMPONENTS

The batteries, off-board battery charger port, and main circuit breaker (reset button) make up the battery charging components. See figure 7.

Batteries (Not Shown)

The batteries store the electrical energy needed to power the scooter. The scooter is equipped with an easy to remove battery pack located within the battery compartment. To view the battery pack, remove the battery compartment lid.

Off-board Battery Charger Port

The off-board battery charger plugs into your scooter by means of the off-board battery charger port.

Main Circuit Breaker (Reset Button)

When the voltage in your scooter's batteries becomes low or the scooter is heavily strained because of excessive loads or steep inclines, the main circuit breaker may trip to protect the motor and electronics from damage.

- The main circuit breaker reset button pops out when the breaker trips.
- When the breaker trips, the entire electrical system of your scooter shuts down.
- Allow a minute or two for your scooter's electronics to "rest."
- Push in the reset button to reset the main circuit breaker.
- If the main circuit breaker trips frequently, you may need to charge your batteries more often. You may also need to have your authorized Pride Provider perform a load test on your scooter's batteries.
- If the main circuit breaker trips repeatedly, see your authorized Pride Provider for service.

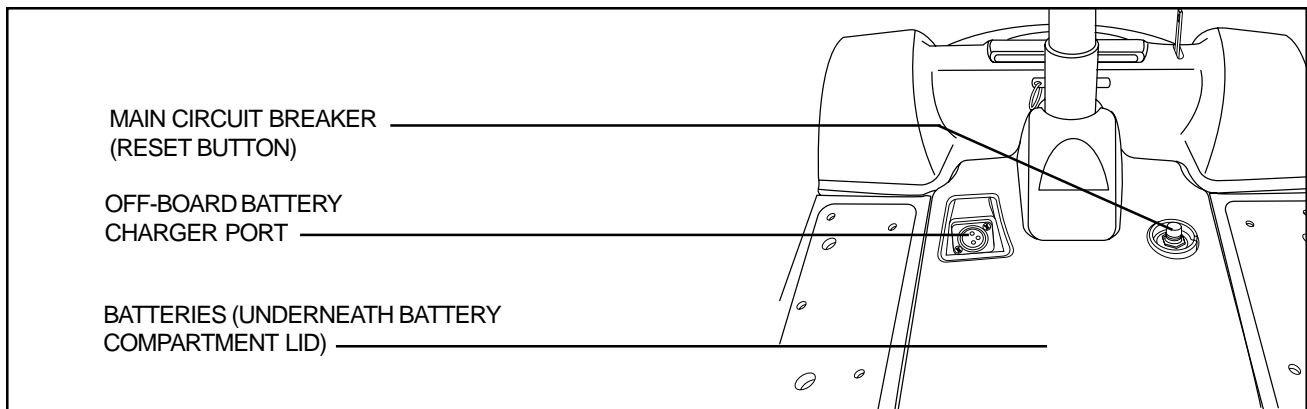


Figure 7. Battery Charging Components

OFF-BOARD BATTERY CHARGER

The off-board battery charger, when plugged into the off-board battery charger port and a standard wall outlet, charges the scooter's batteries. See figure 8.

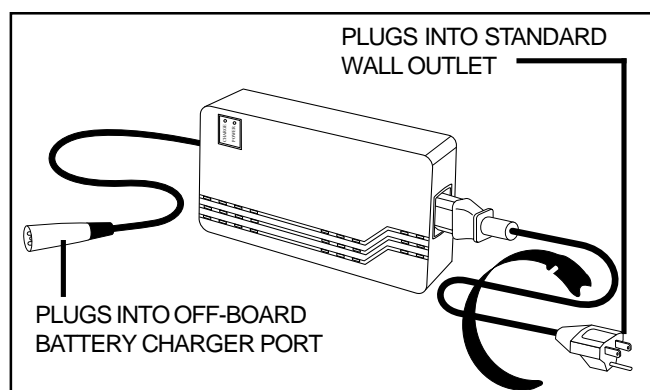


Figure 8. Off-Board Battery Charger

VI. BATTERIES AND CHARGING

Your scooter requires two long-lasting, 12-volt, deep-cycle batteries that are sealed and maintenance free. They are recharged by an off-board battery charging system.

- Charge your scooter's batteries prior to using it for the first time.
- Keep the batteries fully charged to keep your scooter running smoothly.

READING YOUR BATTERY VOLTAGE

The battery condition meter on the tiller console indicates the approximate strength of your batteries using a color code. Green indicates fully charged batteries, yellow a draining charge, and red indicates that an immediate recharge is necessary. See figure 9. To ensure the highest accuracy, the battery condition meter should be checked while operating your scooter at full speed on a dry, level surface.

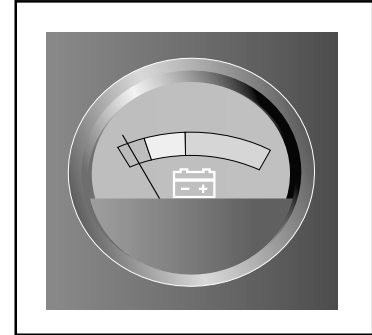


Figure 9. Battery Condition Meter

CHARGING YOUR BATTERIES



WARNING! Never use an extension cord to plug in your battery charger. Plug the charger directly into a properly wired standard wall outlet.



WARNING! Removal of the grounding prong can create an electrical hazard. If necessary, properly install an approved 3-pronged adapter to an electrical outlet having 2-pronged plug access. Failure to heed could result in personal injury and/or property damage.



WARNING! Ensure that both ends of the charger power cord are clean and dry before plugging the charger power cord into the off-board battery charger port or the wall socket.

Follow these easy steps to charge your batteries safely:

1. Position your scooter close to a standard wall outlet.
2. Remove the key from the key switch.
3. Make certain that the manual freewheel lever is in the drive position.
4. Plug the off-board battery charger into the off-board battery charger port on your scooter.
6. Plug the off-board battery charger into a standard wall outlet. We recommend that you charge the batteries for 8 to 14 hours.
7. When the batteries are fully charged, unplug the charger power cord from the wall outlet and then from the off-board battery charger port.



NOTE: There is a charger inhibit function on your scooter. The scooter will not run and the battery condition meter will not operate while the batteries are charging.

Follow these steps to properly break-in your scooter's new batteries for maximum efficiency and service life.

1. Fully recharge any new battery prior to its initial use.
2. Operate your new scooter in familiar and safe areas. Drive slowly at first, and do not travel too far from your home or familiar surroundings until you have become accustomed to your scooter's controls.
3. Fully recharge the batteries.
4. Operate your scooter again.
5. Fully recharge the batteries again.
6. After four or five charging cycles, the batteries are able to receive a charge of 100% of their peak performance level and are able to last for an extended period of time.

VI. BATTERIES AND CHARGING

FREQUENTLY ASKED QUESTIONS (FAQS)

How does the charger work?

When your scooter's battery voltage is low, the charger works harder, sending more electrical current to the batteries to bring up their charge. As the batteries approach a full charge, the charger sends less and less electrical current. When the batteries are fully charged, the current sent from the charger is at nearly zero amperage. Therefore, when the charger is plugged in, it maintains the charge on your scooter's batteries, but does not overcharge them. We do not recommend that you charge your scooter's batteries for more than 24 consecutive hours.

What if my scooter's batteries won't charge?

- Ensure the red (+) and black (-) battery leads are connected properly to the battery terminals.
- Ensure both ends of the charger power cord are inserted fully.

Can I use a different charger?

For the safest, most efficient, and balanced charging of your scooter's batteries, we prefer and highly recommend simultaneous charging of both batteries with the off-board battery charger.

How often must I charge the batteries?

Two major factors must be considered when deciding how often to charge your scooter's batteries:

- All day scooter use on a daily basis.
- Infrequent or sporadic scooter use.

With these considerations in mind, you can determine how often and for how long you should charge your scooter's batteries. We designed the off-board battery charger so that it will not overcharge your scooter's batteries. However, you may encounter some problems if you do not charge your batteries often enough and if you do not charge them on a regular basis. Following the guidelines below will provide safe and reliable battery operation and charging.

- If you use your scooter daily, charge its batteries as soon as you finish using it for the day. Your scooter will be ready each morning to give you a full day of service. We recommend that you charge your scooter's batteries for 8 to 14 hours after daily use.
- If you use your scooter once a week or less, charge its batteries at least once a week for 12 to 14 hours at a time.
- Keep your scooter's batteries fully charged.
- Avoid deeply discharging your scooter's batteries.

How can I ensure maximum battery life?

Fully charged deep-cycle batteries provide reliable performance and extended battery life. Keep your scooter's batteries fully charged whenever possible. Batteries that are regularly and deeply discharged, infrequently charged, or stored without a full charge may be permanently damaged, causing unreliable performance and limited service life.

What about public transportation?

If you intend to use public transportation with your scooter, you must contact the transportation provider in advance to determine their specific requirements.

VI. BATTERIES AND CHARGING

How can I get maximum range or distance per charge?

Rarely will you have ideal driving conditions—smooth, flat, hard driving surfaces with no wind or curves. Often, you will face hills, pavement cracks, uneven and loosely packed surfaces, curves, and wind, all of which affect the distance or running time per battery charge. Below are a few suggestions for obtaining the maximum range per battery charge.

- Always fully charge your scooter's batteries prior to daily use.
- Maintain **30-35 psi** in each tire.
- Plan your route ahead to avoid as many hills, cracked, broken, or soft surfaces as possible.
- Limit your baggage weight to essential items.
- Try to maintain an even speed while your scooter is in motion.
- Avoid stop-and-go driving.

What type and size of battery should I use?

We recommend deep-cycle batteries that are sealed and maintenance free. Both AGM and Gel-Cell are deep-cycle batteries that are similar in performance. Do not use wet-cell batteries, which have removable caps.



NOTE: Sealed batteries are not serviceable. Do not remove the caps.

Use these specifications to reorder batteries from your authorized Pride Provider:

BATTERY SPECIFICATIONS	
Type:	Deep-cycle (AGM or Gel-Cell)
Size:	12 AH
Voltage:	12 volts each
Amperage:	12 AH



WARNING! Corrosive chemicals are contained in batteries. Use only AGM or Gel-Cell batteries to reduce the risk of leakage or explosive conditions.

Why do my new batteries seem weak?

Deep-cycle batteries employ a different chemical technology than that used in car batteries, nickel-cadmium batteries (nicads), or in other common battery types. Deep-cycle batteries are specifically designed to provide power, drain down their charge, and then accept a relatively quick recharge.

We work closely with our battery manufacturer to provide batteries that best suit your scooter's specific electrical demands. Fresh batteries arrive daily at Pride and are shipped fully charged to our customers. During shipping, the batteries may encounter temperature extremes that may influence their initial performance. Heat diminishes the charge on the battery; cold slows the available power and extends the time needed to recharge the battery.

It may take a few days for the temperature of your scooter's batteries to stabilize and adjust to their new room or ambient temperature.

It takes a few charging cycles (partial draining followed by full recharging) to establish the critical chemical balance that is essential to a deep-cycle battery's peak performance and long life.

VI. BATTERIES AND CHARGING

BATTERY REPLACEMENT



WARNING! Battery posts, terminals, and related accessories contain lead and lead compounds. Wash hands after handling.

Battery Removal

1. Remove the battery compartment lid. See figure 10.
2. Disconnect the battery harnesses. See figure 11.
3. Remove the battery pack from the scooter. See figure 11A.
4. Unzip the battery pack and remove the battery or batteries.
5. Disconnect the red (+) positive and black (-) negative battery leads from the battery terminals by pulling them gently from the battery terminals. See figure 12.

Battery Replacement

1. Connect the two (2) battery leads to the new battery terminals. See figure 12.
 - Red lead to (+) positive terminal.
 - Black lead to (-) negative terminal.
2. Put the battery or batteries back into the battery pack with the battery terminals facing up.
3. Zip the battery pack and place it back into the battery compartment.
4. Reconnect the battery harnesses.
5. Replace the battery compartment lid.

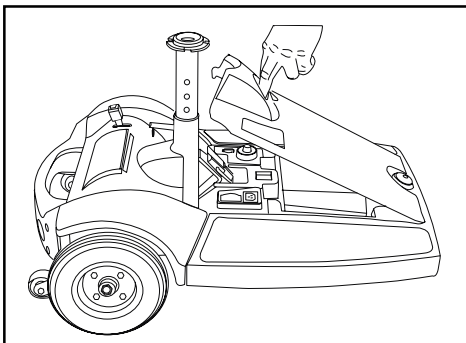


Figure 10. Battery Compartment Lid

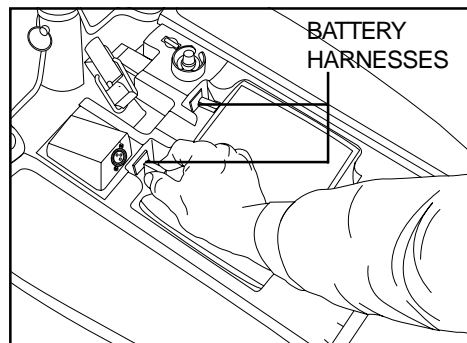


Figure 11. Battery Harness Removal

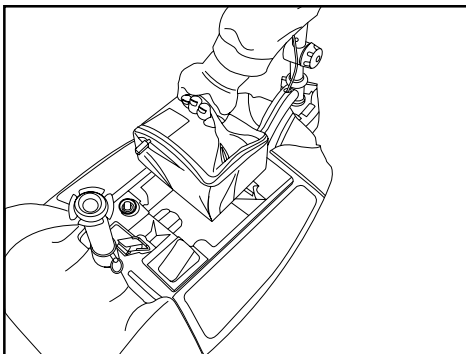
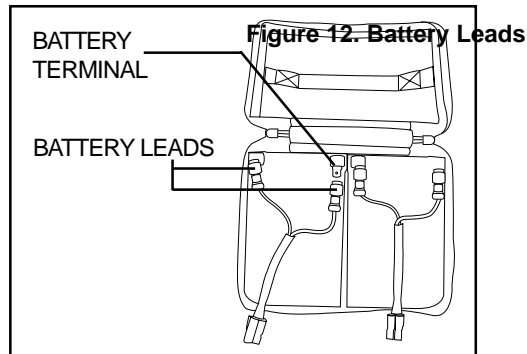


Figure 11A. Battery Pack Removal



VII. OPERATION

BEFORE GETTING ONTO YOUR SCOOTER

- Have you fully charged the batteries? See VI. “Batteries and Charging.”
- Is the manual freewheel lever in the drive position? Never leave the manual freewheel lever in freewheel mode unless you are manually pushing your scooter.
- **Is the tiller lock knob in the unlocked position?** See IX. “Disassembly and Assembly.”

GETTING ONTO YOUR SCOOTER

1. Make certain that the key is removed from the key switch.



WARNING! Never get onto or off of your scooter without first removing the key from the key switch. This will prevent the scooter from moving if accidental throttle control lever contact is made.

2. Stand at the side of your scooter.
3. Make certain that the seat is locked securely in position.
4. Position yourself comfortably and securely in the seat.
5. Make certain that your feet are safely on the floorboard.

PRE-RIDE ADJUSTMENTS AND CHECKS

- Are you positioned comfortably in the seat?
- Is the seat at the proper height?
- Is the seat securely in place?
- Is the tiller at a comfortable setting and locked securely in place? See VIII. “Comfort Adjustments.”
- Is the key fully inserted into the key switch? See V. “Your Scooter.”
- Does the scooter’s horn work properly?
- Is your proposed path clear of people, pets, and obstacles?
- Have you planned your route to avoid adverse terrain and as many inclines as possible?

OPERATING YOUR SCOOTER

WARNING! The following can adversely affect steering and stability while operating your scooter:



- **Holding onto or attaching a leash to walk your pet**
- **Carrying passengers (including pets)**
- **Hanging any article from the tiller**
- **Towing or being pushed by another motorized vehicle**

Such practices could cause loss of control and/or tipping, resulting in personal injury and/or damage to your scooter.

Keep both hands on the tiller and your feet on the floorboard at all times while operating your scooter. This driving position gives you the most control over your vehicle.

- Set the speed adjustment dial to your desired speed.
- Press your thumb against the appropriate side of the throttle control lever.
- The electromechanical disc park brake automatically disengages and the scooter accelerates smoothly to the speed you preselected with the speed adjustment dial.
- Pull on the left handgrip to steer your scooter to the left.
- Pull on the right handgrip to steer your scooter to the right.

VII. OPERATION

- Move the tiller to the center position to drive straight ahead.
- Release the throttle control lever to decelerate and come to a complete stop.
- The electromechanical disc park brake automatically engages when your scooter comes to a stop.



NOTE: Your scooter's reverse speed is slower than that of the forward speed you preset with the speed adjustment dial.

GETTING OFF OF YOUR SCOOTER

1. Bring your scooter to a complete stop.
2. Remove the key from the key switch.
3. Carefully and safely get out of the seat to either side of your scooter.

POWER DOWN TIMER FEATURE

Your scooter is equipped with an energy saving automatic power down timer feature designed to preserve your scooter's battery life. If you mistakenly leave the key in the key switch and in the "on" position but do not use your scooter for approximately 20 minutes, the controller shuts down automatically. Although the controller is shut down, power will still be supplied to the lighting system.

If the power down timer feature takes effect, perform the following steps to resume normal operation.

1. Remove the key from the key switch.
2. Reinsert the key and power up your scooter.

VIII. COMFORT ADJUSTMENTS

TILLER ANGLE ADJUSTMENT



WARNING! Remove the key from the key switch before adjusting the tiller or the seat. Never attempt to adjust the tiller or the seat while the scooter is in motion.

Your scooter is equipped with an adjustable pivoting tiller.

1. Turn the tiller adjustment knob counterclockwise to loosen the tiller. See figure 13.
2. Move the tiller to a comfortable position.
3. Turn the tiller adjustment knob clockwise to secure the tiller in position.



NOTE: In order to lower the tiller to the scooter deck, you must first remove the seat. Remove the seat by pulling it straight up and off of the scooter.

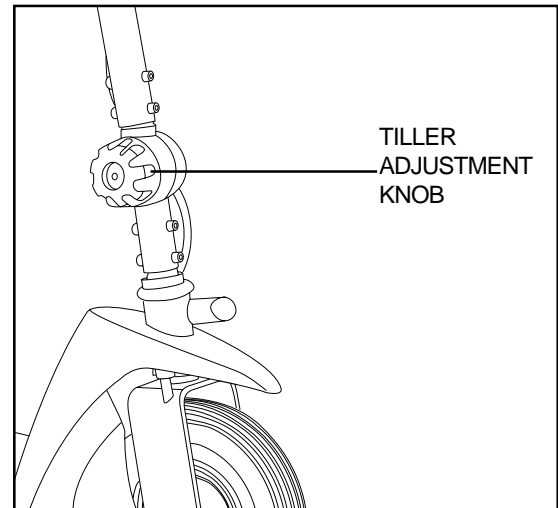


Figure 13. Tiller Adjustment

SEAT HEIGHT ADJUSTMENT

The seat can be repositioned to one of two different heights. See figure 14.

1. Remove the seat from your scooter.
2. Use the attached ring to pull and remove the detent pin from the lower seat post.
3. Raise or lower the upper seat post to the desired seat height.
4. While holding the upper seat post at that height, match up the adjustment holes in the upper and lower seat post.
5. Fully insert the detent pin.
6. Replace the seat.

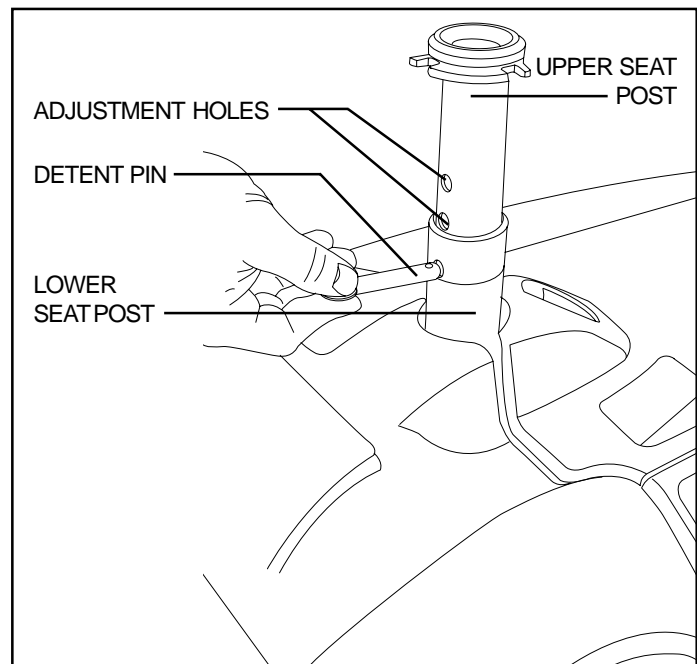


Figure 14. Seat Height Adjustment

SEAT ROTATION

The seat can be rotated to one of four positions in 90° increments.

1. Pull up slightly on the seat.
2. Rotate the seat 90° or 180° to the right or left to the desired position.
3. Lower the seat and be sure it is locked into position.

IX . DISASSEMBLY AND ASSEMBLY

DISASSEMBLY

No tools are required to disassemble or assemble your scooter. Always disassemble or assemble your scooter on a level, dry surface with sufficient room for you to work. Keep in mind that the disassembled sections of a scooter take up more floor space than when assembled.

You can disassemble your scooter into four pieces: the seat, the front section, the rear section, and the battery pack. See figure 15.

Before disassembling the scooter, remove the key and place the manual freewheel lever in the drive (forward) position.

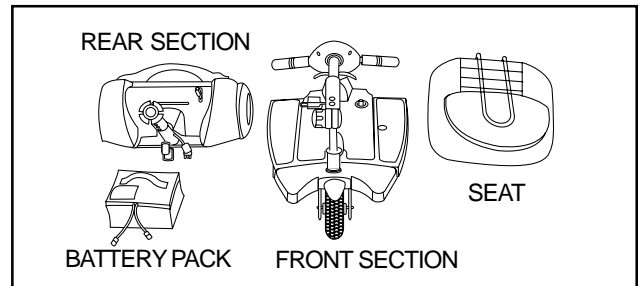


Figure 15. Disassembled Scooter



WARNING! Lifting weight beyond your physical capability may result in personal injury. Ask for assistance when necessary before disassembling or assembling your scooter.

1. Lock the tiller in place by pushing the tiller lock knob in and turning it clockwise 90°. See figure 16. The front wheel must face forward in order to lock the tiller.
2. Remove seat by pulling it straight upward.
3. Remove the battery compartment lid and place it out of the way.
4. Unplug the front-to-rear harness and both battery harnesses. See figure 17.

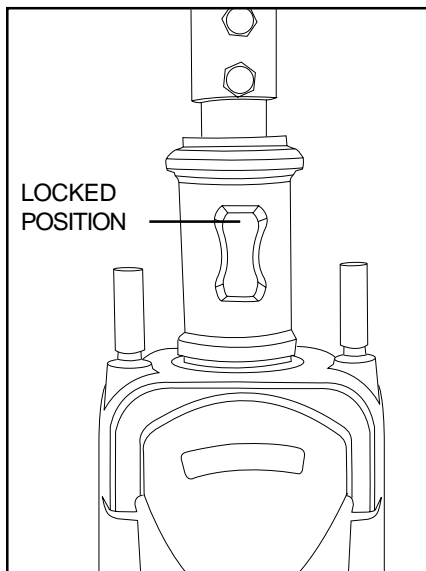


Figure 16. Tiller Lock knob (Locked)

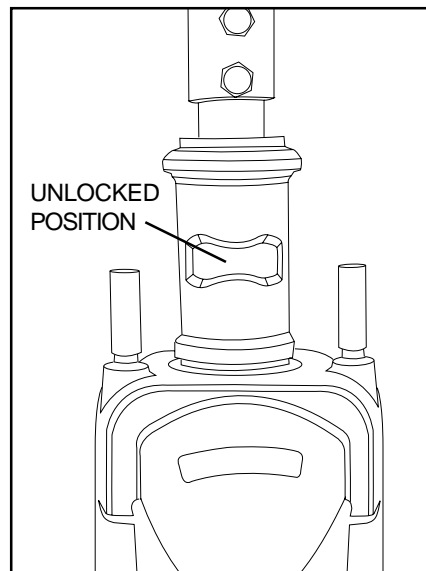


Figure 16A. Tiller Lock Knob (Unlocked)

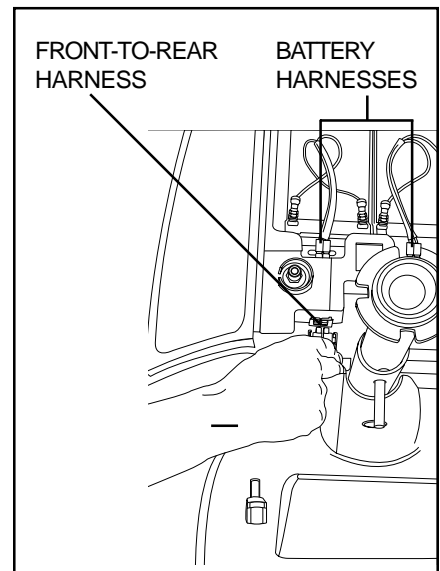


Figure 17. Wiring Harnesses

IX . DISASSEMBLY AND ASSEMBLY

Toggle Latch Release

1. Push in the toggle latch release button while pulling back the toggle latch. See figure 18.
2. Position the toggle latch buckle over the top of the toggle latch. See figure 19.
3. Lower the tiller to the scooter floorboard and fully tighten the tiller adjustment knob.

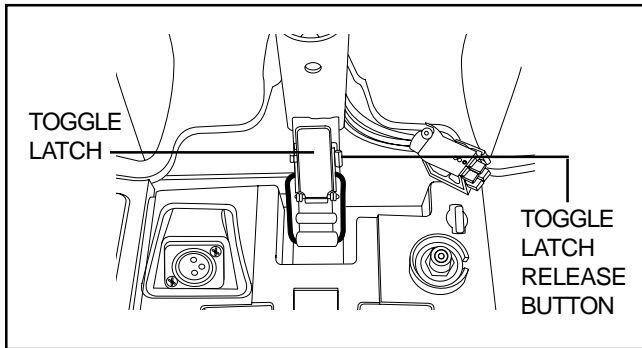


Figure 18. Toggle Latch (Latched)

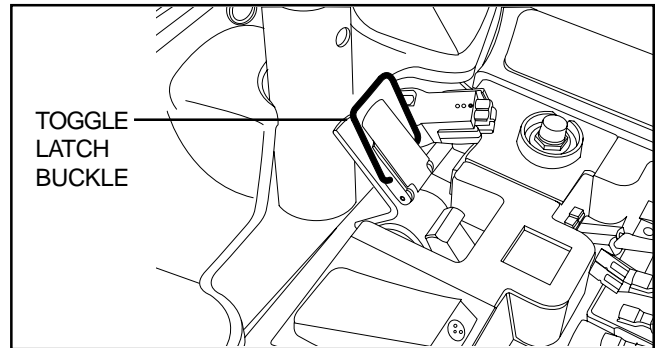


Figure 19. Toggle Latch (Unlatched)

Frame Separation

1. Push back on the seat post to pivot the rear section backward until it is standing vertically on its end. See figure 20.
2. Lift the front section up until the lower pegs are no longer in the slots. See figure 21.
3. Carefully lift the front section vertically away from the rear section. See figure 22.

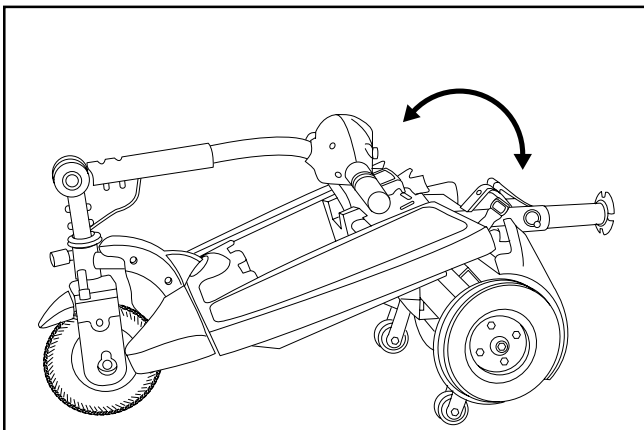


Figure 20. Frame Positioning

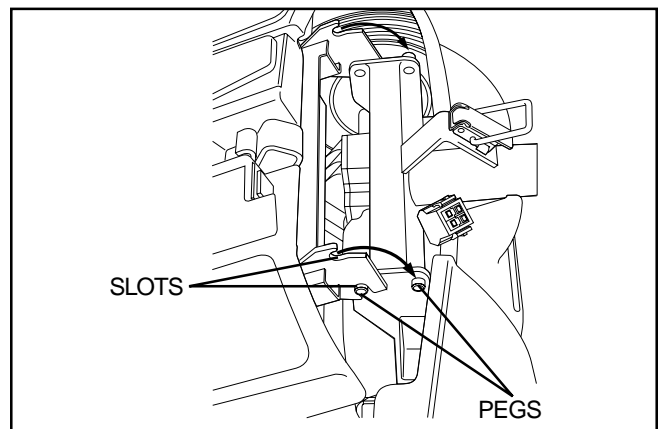


Figure 21. Frame Lockup

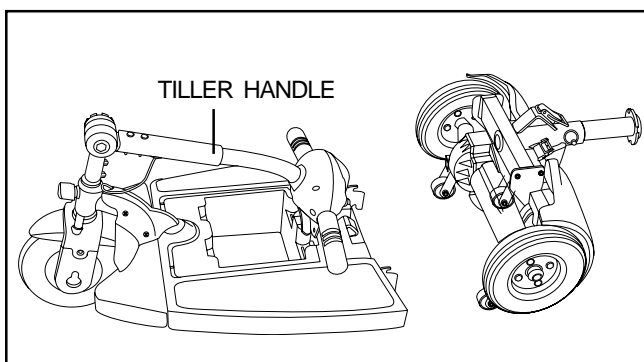


Figure 22. Frame Halves

IX . DISASSEMBLY AND ASSEMBLY

ASSEMBLY

1. Position the front and rear sections of your scooter as shown in figure 22.
2. Use the tiller handle to lift the front section as you align the lower slots of the front section with the corresponding pegs on the front of the rear section. See figure 21.
3. Holding the seat post, slowly pivot the rear section forward until the curved locking brackets are fully connected onto the top rear pegs. See figure 20.
4. Raise the tiller and fully tighten the tiller adjustment knob.
5. Secure the toggle latch. See figure 18.
 - Lower the toggle latch buckle.
 - Push back on the toggle latch so it locks into place.
6. Connect the front-to-rear harness and both battery harnesses.
7. Replace the battery compartment lid.
8. Replace the seat and rotate it until it locks into place.
9. Unlock the front wheel by turning the tiller lock knob 90° counterclockwise. See figure 16A.



WARNING! After assembling your scooter make absolutely certain the tiller lock knob is in the unlocked position before attempting to ride your scooter.

X. BASIC TROUBLESHOOTING

Any electromechanical device requires occasional troubleshooting. However, most problems that arise can usually be solved with a bit of thought and common sense. Many of these problems occur because the batteries are not fully charged or because the batteries are worn down and can no longer hold a charge.

DIAGNOSTIC FLASH CODES

The diagnostic flash codes for your scooter are designed to help you perform basic troubleshooting quickly and easily. A diagnostic flash code will flash from the status LED in the event one of the conditions listed below develops.



NOTE: Your scooter will not run unless the flash code condition is resolved and the scooter has been turned off, then turned back on.

FLASH CODE	CONDITION	SOLUTION
■ ■	Batteries are too low to operate the scooter or the charger is operating.	Charge batteries or unplug the charger power cord from the electrical outlet.
■ ■ ■	The scooter's battery voltage is too high to operate the scooter.	Insert the key into the key switch, turn the scooter's light on to drain power from the batteries.
■ ■ ■ ■ ■	Solenoid brake trip: the manual freewheel lever is in the freewheel position.	Turn the key to the "off" position, then push the manual freewheel lever to the (forward) drive position, restart your scooter.
■ ■ ■ ■ ■ ■	Wigwag fault; your throttle control lever is not responding.	Call your authorized Pride Provider for assistance.
■ ■ ■ ■ ■ ■ ■	Speed pot fault: speed adjustment dial is not responding.	Call your authorized Pride Provider for assistance.
■ ■ ■ ■ ■ ■ ■ ■	The scooter's motor is disconnected.	Check the front-to-rear harness connection—call your authorized Pride Provider for assistance.
■ ■ ■ ■ ■ ■ ■ ■ ■	Possible controller trip—the scooter is hot and the scooter seems to be losing power.	Shut down your scooter for a minimum of several minutes to allow the controller to cool.

What if all the systems on my scooter seem to be “dead”?

- Make certain that the key is fully inserted into the key switch.
- Check that the batteries are fully charged. See VI. “Batteries and Charging.”
- Push in the main circuit breaker's reset button. See V. “Your Scooter.”
- Make certain that all wiring harnesses (battery and front-to-rear) are firmly connected.
- Be sure the power down timer feature hasn't been activated. Fully remove the key from the key switch then reinsert the key back into the key switch.

What if the motor runs but my scooter does not move?

- Your scooter was probably left in freewheel mode.
- When the manual freewheel lever is pushed rearward, the brakes are disengaged and all power to the motor/transaxle is cut.
- Push the manual freewheel lever forward then remove the key—reinsert the key back into the key switch to restore normal operation to your scooter.

What if the battery condition meter dips way down and the motor surges or hesitates when I press the throttle control lever?

- Fully charge your scooter's batteries. See VI. “Batteries and Charging.”
- Have your authorized Pride Provider load test each battery.

If you experience any problems with your scooter that you are not able to solve, contact your authorized Pride Provider for information, maintenance, and service.

X. BASIC TROUBLESHOOTING

What if the main circuit breaker trips repeatedly?

- Charge the scooter's batteries more frequently. See VI. "Batteries and Charging."
- If the problem persists, have both of your scooter's batteries load tested by your authorized Pride Provider.
- See VI. "Batteries and Charging" or IV. "Specifications" for information about your scooter's battery type.
- Check the 5-amp fuse located next to the circuit breaker button.

In the event the fuse ceases to work (blows):

- Remove the fuse by pulling it out of its slot.
- Examine the fuse to be sure it is blown. See figures 23 and 24.
- Insert a new fuse of the proper rating.

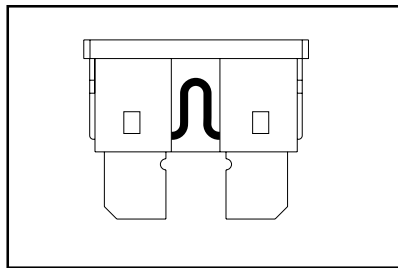


Figure 23. Working Fuse

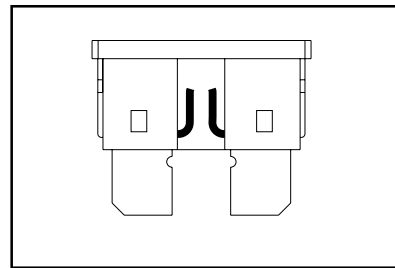


Figure 24. Blown Fuse

XI. CARE AND MAINTENANCE

Your scooter requires a minimal amount of care and maintenance. If you do not feel confident in your ability to perform the maintenance listed below, you may schedule inspection and maintenance with your authorized Pride Provider. The following areas require periodic inspection and/or care and maintenance.

TIRE CONDITION AND TREAD WEAR

- Regularly inspect your scooter's tires for signs of wear.
- Use a rubber conditioner on your scooter's tire sidewalls to help to preserve them.



WARNING! Do not apply rubber conditioner on tire tread; this may cause the tires to become dangerously slippery.

EXTERIOR SURFACES

- Bumpers and trim also benefit from an occasional application of a rubber or vinyl conditioner.



WARNING! Do not use a rubber or vinyl conditioner on the scooter's seat (if vinyl), floorboard, or tire tread. They will become dangerously slippery and result in personal injury and/or damage to your scooter.

- The scooter shroud is made from durable ABS plastic and coated with an advanced formula urethane paint.
- A light application of car wax will help the shroud retain its high gloss.

WIRING HARNESES

- Regularly check wiring harness insulation for wear or damage.
- Have your authorized Pride Provider repair or replace any damaged connector, connection, or insulation that you find before using your scooter again.

AXLE BEARINGS AND THE MOTOR/TRANSAXLE ASSEMBLY

- These items are all prelubricated, sealed, and require no subsequent lubrication.

CONSOLE, CHARGER, AND ELECTRONICS

- Keep these areas free of moisture.
- If any of these items are exposed to moisture, let them dry thoroughly before operating your scooter again.

STORAGE

If you plan on not using your scooter for an extended period of time, it is best to:

- Fully charge its batteries prior to storage.
- Disconnect the batteries.
- Store your scooter in a warm, dry environment.
- Avoid storing your scooter where it will be exposed to temperature extremes.



WARNING! Always protect batteries from freezing temperatures and never charge a frozen battery. This damages the battery and can cause personal injury.

For prolonged storage, you may wish to place several boards under the frame of your scooter to raise the scooter off of the ground. This takes the weight off the tires and reduces the possibility of flat spots developing on the areas of the tires contacting the ground.

XII. WARRANTY

THREE-YEAR LIMITED WARRANTY

Three years on all structural frame components; including platform, fork, seat post, and frame.

Three-year prorata drivetrain warranty; including transaxle, motor, and brake.

- First year: 100% replacement of parts cost
- Second year: 67% replacement of parts cost
- Third year: 50% replacement of parts cost

THREE-YEAR WARRANTY EXCEPTIONS

Transaxle: In cases where there is an increase in the operational noise level, the warranty does not apply. (The increase in operational noise level usually occurs due to abusive and excessive strain on the scooter.)

Motor brake: Three-year warranty for the electrical function of the motor brake. Brake pads are a wear item and are not warranted.

ONE-YEAR LIMITED WARRANTY

For one (1) year from the date of purchase, Pride will repair or replace at our option to the original purchaser, free of charge, any part or electronic component found upon examination by an authorized representative of Pride to be defective in material and/or workmanship.

The batteries are warranted by the battery manufacturer (six-month limited warranty). The batteries are not warranted by Pride.

Warranty service can be performed by Pride or by an authorized Pride Provider. Do not return faulty parts to Pride without prior consent. All transportation costs and shipping damage incurred while submitting parts for repair or replacement are the responsibility of the original purchaser.

WARRANTY EXCLUSIONS

- ABS plastic shrouds and footrest covers (wear items and not warranted)
- Batteries (the battery manufacturer provides a six-month limited warranty)
- Tires and tire tubes (wear items and not warranted)
- Upholstery and seating (wear items and not warranted)
- Repairs and/or modifications made to any part of the scooter without specific and prior consent from Pride
- Circumstances beyond the control of Pride
- Damage caused by: battery fluid spillage or leakage; abuse, misuse, accident, or negligence; improper operation; maintenance; or storage; commercial use or use other than normal
- Labor, service calls, shipping, and other charges incurred for repair of the product

There is no other express warranty.

Implied warranties, including those of merchantability and fitness for a particular purpose, are limited to one (1) year from the date of original purchase and to the extent permitted by law. Any and all implied warranties are excluded. This is the exclusive remedy. Liabilities for consequential damages under any and all warranties are excluded.

Some states do not allow limitations on how long an implied warranty lasts or do not allow the exclusion of limitation of incidental or consequential damages. So, the above limitation or exclusion may not apply to you.



Pride
Mobility Products Corp.

182 Susquehanna Ave.
Exeter, PA 18643
1-800-800-8586

www.pridemobility.com