

Legend

Owner's Manual



3&4 Wheel Scooters

The Ultimate In Style & Performance[®]

Pride
Mobility Products Corp.

*Exeter, PA
St. Catharines, ON*

1-800-800-8586

www.pridemobility.com

SAFETY GUIDELINES

Please read and follow all instructions in this owner's manual before attempting to operate your Scooter for the first time. If there is anything in this manual you do not understand, or if you require additional assistance for set-up, contact your authorized Pride provider.

Using your Pride product safely depends upon your diligence in following the warnings, cautions, and instructions in this owner's manual. Using your Pride product safely also depends upon your own good judgement and/or common sense, as well as that of your provider, caregiver, and/or healthcare professional. Pride is not responsible for injuries and/or damage resulting from any person's failure to follow the warnings, cautions, and instructions in this owner's manual. Pride is not responsible for injuries and/or damage resulting from any person's failure to exercise good judgement and/or common sense.

The symbols below are used throughout this owner's manual to identify warnings and cautions. It is very important for you to read and understand them completely.



WARNING! Failure to heed the warnings in this owner's manual may result in personal injury.



CAUTION! Failure to heed the cautions in this owner's manual may result in damage to your Scooter.

CONTENTS

I. INTRODUCTION	4
II. SAFETY	6
III. EMI/RFI	15
IV. SPECIFICATIONS	17
V. YOUR LEGEND	19
VI. BATTERIES AND CHARGING	23
VII. OPERATION	27
VIII. COMFORT ADJUSTMENTS	29
IX. DISASSEMBLY AND ASSEMBLY	32
X. OPTIONAL ACCESSORIES	35
XI. BASIC TROUBLESHOOTING	36
XII. CARE AND MAINTENANCE	38
XIII. WARRANTY	40

I. INTRODUCTION

Welcome to Pride Mobility Products Corporation (Pride). Congratulations on the purchase of your new Pride Scooter. Your Legend design combines the most advanced state-of-the-art components with modern, attractive styling. We are certain that the design features and trouble-free operation will add convenience to your daily living and ensure complete satisfaction.

At Pride, your safety is important to us. **Please read and follow all of the instructions in this manual before you attempt to operate your scooter for the first time.** These instructions were produced for your benefit. Your understanding of these instructions is essential for the safe operation of your new Pride Scooter.

Pride is not liable for damage to property or personal injury arising out of unsafe use of a Pride Scooter. Pride is also not liable for any property damage or personal injury arising out of the failure of any person and/or user to follow the instructions and recommendations set forth in this manual or any other instructions or recommendations contained in other scooter related literature issued by Pride or contained on the Pride Scooter itself.

This owner's manual is compiled from the latest specifications and product information available at the time of publication. We reserve the right to make changes as they become necessary. Any changes to our products may cause slight variations between the illustrations and explanations in this manual and the product you had purchased.

If you experience any problems with your scooter that you are unable to solve, or if you do not feel capable of safely following any of the instructions and/or recommendations as contained in this manual, please contact your authorized Pride provider for assistance.

Once you understand how to operate and take care of your scooter, we are certain that it will give you years of trouble-free service and enjoyment.

Information Exchange

We want to hear your questions, comments, and suggestions about this manual. We would also like to hear about the safety and reliability of your new Pride Scooter and the service you received from your authorized Pride provider.

Please notify us of any change of address so we can keep you apprised of important information about safety, new products, and new options that can increase your ability to use and enjoy your Pride Scooter. Please feel free to write us at the address below:

Pride Mobility Products Corporation
Attn: Technical Service Department
182 Susquehanna Avenue
Exeter, PA 18643-2694

I. INTRODUCTION

Pride Owners Club

As an owner of a Pride product, you are invited to register your product's warranty and enroll in the Pride Owners Club. You may do so by filling out and returning your enclosed registration card or by visiting Pride's web site at www.pridemobility.com. As a registered member, each time you visit our site, you will have access to the most interactive and honest educational venue available today for people with mobility needs, their families, and friends.

From our home page, click on the button that reads "Owners Club" to enter a page dedicated to current and potential Pride product owners. You will gain access to interviews, stories, recreation ideas, daily living tips, product and funding information, and interactive message boards. On these message boards you are invited to speak with other Pride customers as well as Pride representatives who are available to assist you with any questions or concerns you may have.

My Authorized Pride Provider Is:

Name: _____

Address: _____

Phone Number: _____

Quick Reference Information:

Scooter Model: _____

Serial Number: _____

Purchase Date: _____

NOTE: If you ever lose or misplace your product registration card or your copy of this manual, e-mail or write to us and we will be glad to send you a new one immediately.

II. SAFETY

GENERAL



WARNING! Do not operate your new scooter for the first time without completely reading and understanding this owner's manual.

Your scooter is a state-of-the-art life-enhancement device designed to increase mobility. Pride provides an extensive variety of products to best fit the individual needs of the scooter user. Please be aware that the final selection and purchasing decision regarding the type of scooter to be used is the responsibility of the scooter user who is capable of making such a decision and his/her healthcare professional (i.e., medical doctor, physical therapist, etc.).

The contents of this manual are based on the expectation that a mobility device expert has properly fitted the scooter to the user and has assisted the prescribing healthcare professional and/or the authorized Pride provider in the instruction process for the use of the product.

There are certain situations, including some medical conditions, where the scooter user will need to practice operating the scooter in the presence of a trained attendant. A trained attendant can be defined as a family member or care professional specially trained in assisting a scooter user in various daily living activities.

As you begin using your scooter during daily activities, you will probably encounter situations in which you will need some practice. Simply take your time and you will soon be in full and confident control as you maneuver through doorways, on and off elevators, up and down ramps, and over moderate terrain.

Below are some precautions, tips, and other safety considerations that will help the user become accustomed to operating the scooter safely.

MODIFICATIONS

Pride has designed and engineered your scooter to provide maximum mobility and utility. A wide range of accessories is available from your Pride provider to further customize your scooter to better suit your needs and/or preferences. However, under no circumstances should you modify, add, remove, or disable any feature, part, or function of your scooter.



WARNING! Do not modify your scooter in any way not authorized by Pride. Unauthorized modifications may result in personal injury and/or damage to your scooter.

II. SAFETY

PRE-RIDE SAFETY CHECK

Get to know the feel of your scooter and its capabilities. Pride recommends that you perform a safety check before each use to make sure your scooter operates smoothly and safely. For details on how to perform these necessary inspections, see XII. "Care and Maintenance."

Perform the following inspections prior to using your scooter:

- Check for proper tire inflation. Maintain **30-35 psi** in each tire (if equipped with pneumatic tires).
- Check all electrical connections. Make sure they are tight and not corroded.
- Check all controller connections to the utility tray. Make sure they are secured properly.
- Check the brakes.
- Check battery charge.



WARNING! It is critically important that 30-35 psi tire pressure be maintained in pneumatic tires at all times. Failure to maintain 30-35 psi tire pressure in pneumatic tires at all times may result in catastrophic tire and/or wheel failure, causing serious personal injury and/or damage to your scooter.

WARNING! Do not carry passengers on your scooter. Carrying passengers on your scooter may result in personal injury and/or property damage.

If you discover a problem, contact your authorized Pride provider for assistance.

WEIGHT LIMITATIONS

Your scooter is rated for a 300-lb. maximum weight limit.



WARNING! Exceeding the weight limit voids your warranty and may result in personal injury and damage to your scooter. Pride will not be held responsible for injuries and/or property damage resulting from failure to observe weight limitations.

INCLINE INFORMATION

More and more buildings have ramps with specified degrees of inclination, designed for easy and safe access. Some ramps may have turning switchbacks (180-degree turns) that require you to have good cornering skills on your scooter.

- Proceed with extreme caution as you approach the downgrade of a ramp or other incline.
- Take wide swings with your scooter's front wheels around any tight corners. If you do that, the scooter's rear wheels will follow a wide arc, not cut the corner short, and not bump into or get hung up on any railing corners.
- When driving down a ramp, keep the scooter's speed adjustment set to the slowest speed setting to ensure a safely controlled descent. See V. "Your Legend."
- Avoid sudden stops and starts.

II. SAFETY

When climbing an incline, try to keep your scooter moving. If you must stop, start up again slowly, and then accelerate cautiously. When driving down an incline, do so by setting the speed adjustment button to the slowest setting and driving in the forward direction only. If your scooter starts to move down the incline faster than you anticipated or desired, allow it to come to a complete stop by releasing the throttle control lever. Then push the throttle control lever forward slightly to ensure a safely controlled descent.

WARNING! When climbing an incline, do not zigzag or drive at an angle up the face of the incline. Drive your scooter straight up the incline. This greatly reduces the possibility of a tip or a fall. Always exercise extreme caution when negotiating an incline.



WARNING! You should not travel up or down a potentially hazardous incline (i.e., areas covered with snow, ice, cut grass, or wet leaves).

WARNING! When on any sort of an incline or decline, never place the scooter in freewheel mode while seated on it or standing next to it.

Other inclines may be natural or, if man-made, not designed specifically for scooters. Figures 1 and 2 illustrate your scooter's stability and its ability to climb grades under various weight loads and under controlled testing conditions.

These tests were conducted with the scooter's seat in the highest position and adjusted backward on the seat base to its farthest rearward position. Use this information as a guideline. Your scooter's ability to travel up inclines is affected by your weight, your scooter's speed, your angle of approach to the incline, and your scooter setup.

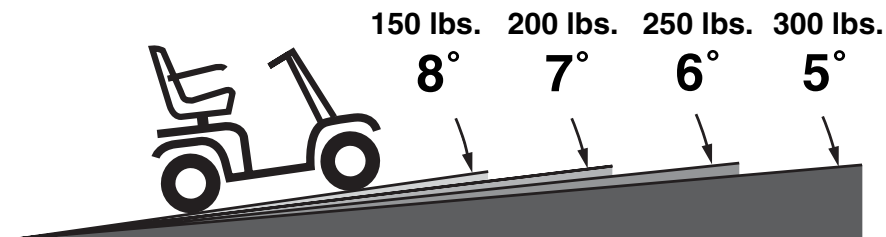


FIGURE 1. MAXIMUM RECOMMENDED INCLINE ANGLES 3 WHEEL

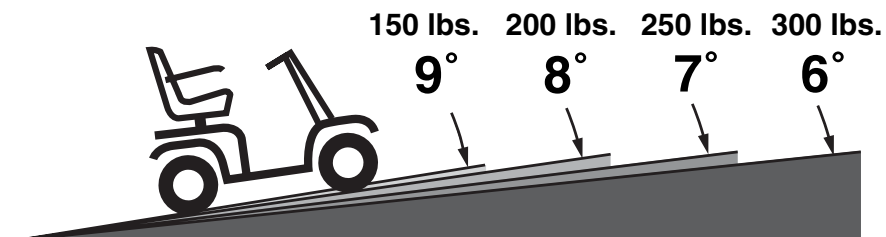


FIGURE 2. MAXIMUM RECOMMENDED INCLINE ANGLES 4 WHEEL



WARNING! Any attempt to climb or descend a slope steeper than shown in figures 1 and 2 may put your scooter in an unstable position and cause it to tip, resulting in personal injury.

II. SAFETY

When you approach an incline, it is best to lean forward. See figures 3 and 4. This shifts the center of gravity of you and your scooter toward the front of the scooter for improved stability.



WARNING! Do not exceed the incline guidelines or any other specifications presented in this manual.



FIGURE 2. NORMAL DRIVING POSITION

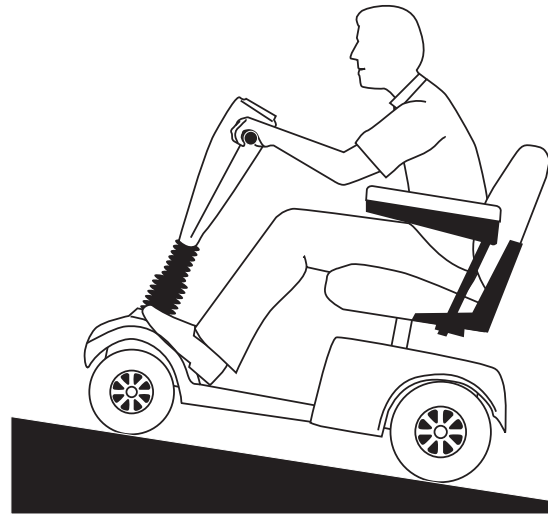


FIGURE 3. INCREASED STABILITY DRIVING POSITION

CORNERING INFORMATION

Excessively high cornering speeds can create the possibility of tipping. Factors which affect the possibility of tipping include, but are not limited to, cornering speed, steering angle (how sharply you are turning), uneven road surfaces, inclined road surfaces, riding from an area of low traction to an area of high traction (such as passing from a grassy area to a paved area – especially at high speed while turning), and abrupt directional changes. High cornering speeds are not recommended. If you feel that you may tip over in a corner, reduce your speed and steering angle (i.e., lessen the sharpness of the turn) to prevent your scooter from tipping.



WARNING! When cornering sharply, reduce your speed. When using your scooter at higher speeds, do not corner sharply. This greatly reduces the possibility of a tip or fall. To avoid personal injury or property damage, always exercise common sense when cornering.

II. SAFETY

BRAKING INFORMATION

Your scooter is equipped with two powerful brake systems:

1. Regenerative: Uses electricity to rapidly slow the vehicle when the throttle control lever returns to the center/stop position; and
2. Disc Park Brake: Activates mechanically after regenerative braking slows the vehicle to near stop, or when power is removed from the system for any reason.

OUTDOOR DRIVING SURFACES

Your scooter is designed to provide optimum stability under normal driving conditions—dry, level surfaces composed of concrete, blacktop, or asphalt. However, Pride recognizes that there will be times when you will encounter other surface types. For this reason, your scooter is designed to perform admirably on packed soil, grass, and gravel. Feel free to use your scooter safely on lawns and in park areas.

- Reduce your scooter's speed when driving on uneven terrain and/or soft surfaces.
- Avoid tall grass that can become tangled in the running gear.
- Avoid loosely packed gravel and sand.
- If you feel unsure about a driving surface, avoid that surface.

STATIONARY OBSTACLES (STEPS, CURBS, ETC.)

Proceed with extreme caution when driving near raised surfaces, unprotected ledges and/or drop-offs (curbs, porches, stairs, etc.).



WARNING! Do not attempt to have your scooter climb or descend an obstacle that is inordinately high. Serious personal injury and/or damage may result.

WARNING! Do not attempt to have your scooter proceed backwards down any step, curb, or other obstacle. This may cause the scooter to tip and cause personal injury.

II. SAFETY

PUBLIC ROADS AND PARKING LOTS



WARNING! You should not operate your scooter on public streets and roadways. Be aware that it may be difficult for traffic to see you when you are seated on your scooter. Obey all local pedestrian traffic rules. Wait until your path is clear of traffic, and then proceed with extreme caution.

NOTE: Safety accessories like reflectors, fluorescent flags, and various lighting packages are available to order from your authorized Pride provider.

INCLEMENT WEATHER PRECAUTIONS



WARNING! Pride recommends that you do not operate your scooter in icy or slippery conditions or on salted surfaces (i.e., walks or roads). Such use may result in an accident, personal injury, or adversely affect the performance and safety of your scooter.

WARNING! Pride recommends that you do not expose your scooter to any type of moisture at any time (rain, snow, mist, or wash). Such exposure can damage your scooter. Never operate your scooter if it has been exposed to moisture until it has dried thoroughly.

FREEWHEEL MODE

Your scooter is equipped with a manual freewheel lever that when pulled up allows the scooter to be pushed. For more information about how to place your scooter into and out of freewheel mode, see V. “Your Legend.”



WARNING! Do not use your scooter in freewheel mode without an attendant present. Personal injury may result.

WARNING! Do not attempt to personally place your scooter in freewheel mode while seated on it. Personal injury may result. Ask an attendant for assistance if necessary.

WARNING! Do not place your scooter in freewheel mode while on an incline. The scooter could roll uncontrollably on its own, causing personal injury.

TIRE INFLATION

If your scooter is equipped with pneumatic tires, you should check or have the air pressure checked at least once a week. Proper inflation pressures will prolong the life of your tires and help ensure the smooth operation of your scooter.



WARNING! It is critically important that pneumatic tires be inflated to 30-35 psi. Do not underinflate or overinflate your tires. Improper tire pressure may result in catastrophic tire and/or wheel failure. Serious personal injury and/or property damage may result.

WARNING! Inflate your scooter drive tires from a regulated air source with an available pressure gauge. Minimum air pressure for scooter drive tires is 30-35 psi. Inflating your tires from an unregulated air source could overinflate them, resulting in a burst tire and/or personal injury.

II. SAFETY

STAIRS AND ESCALATORS

scooters are not designed to travel up or down stairs or escalators. Always use an elevator.



WARNING! Do not use your scooter to negotiate steps or escalators. You may cause injury to yourself and to others and damage your scooter.

DOORS

- Determine if the door opens toward or away from you.
- Use your hand to turn the knob or push the handle or push-bar.
- Drive your scooter gently and slowly forward to push the door open. Or drive your scooter gently and slowly backwards to pull the door open.

ELEVATORS

Modern elevators have a door edge safety mechanism that, when pushed, reopens the elevator door(s).

- If you are in the doorway of an elevator when the door(s) begin to close, push on the rubber door edge or allow the rubber door edge to contact the scooter and the door will reopen.
- Use care that pocketbooks, packages, or scooter accessories do not become caught in elevator doors.

LIFT/ELEVATION PRODUCTS

If you will be traveling with your scooter, you may find it necessary to use a lift/elevation product to aid in transportation. Pride recommends that you closely review the instructions, specifications, and safety information set forth by the manufacturer of the lift/elevation product before using that product.

BATTERIES

In addition to following the warnings below, be sure to comply with all other battery handling information. For more information about your scooter's batteries, see VI. "Batteries and Charging."



WARNING! 32 AH scooter batteries weigh 25 lbs. each, and 40 AH batteries weight 32.5 lbs. each. If you are unable to lift that much weight, be sure to get help. Lifting beyond your capacity can result in personal injury.

WARNING! Battery posts, terminals, and related accessories contain lead and lead compounds. Wash hands after handling.

WARNING! Always protect the batteries from freezing and never charge a frozen battery. Charging a frozen battery may result in personal injury and/or damage to the battery.

PREVENTING UNINTENDED MOVEMENT



WARNING! If you anticipate being seated in a stationary position for an extended period of time, turn off the power. This will prevent unexpected motion from inadvertent throttle control lever contact. Failure to do so may result in personal injury.

II. SAFETY

MOTOR VEHICLE TRANSPORT

Currently, there are no standards approved for tie-down systems in a moving vehicle of any type to transport a person while seated in a scooter.

Although your scooter may be equipped with a positioning belt, this belt is not designed to provide proper restraint during motor vehicle transport. Anyone traveling in a motor vehicle should be properly secured in the motor vehicle seat with safety belts fastened securely.



WARNING! Do not sit on your scooter while it is in a moving vehicle. Personal injury and/or property damage may result.

WARNING! Always be sure your scooter and its batteries are properly secured when it is being transported. Failure to do so may result in personal injury and/or damage to your scooter.

GETTING ONTO AND OFF OF YOUR SCOOTER

Getting onto and off of your scooter requires a good sense of balance. Please observe the following safety tips when getting onto and off of your scooter:

- Power down your scooter. See VII. “Operation.”
- Ensure that your scooter is not in freewheel mode. See V. “Your Legend.”
- Make certain that the seat is locked into place and the key is removed from the key switch.
- The seat armrests can be flipped up to make getting on and off the scooter easier.



WARNING! Position yourself as far back as possible in the scooter seat to prevent the scooter from tipping and causing injury.

WARNING! Avoid using your armrests for weight bearing purposes. Such use may cause the scooter to tip and cause personal injury.

WARNING! Avoid putting all of your weight on the floorboard. Such use may cause the scooter to tip and cause personal injury.

POSITIONING BELTS

Your authorized Pride provider, therapist(s), and other healthcare professionals are responsible for determining your requirement for a positioning belt in order to operate your scooter safely.



WARNING! If you require a positioning belt to safely operate your scooter, make sure it is fastened securely. Serious personal injury may result if you fall from the scooter.

II. SAFETY

REACHING AND BENDING

Avoid reaching or bending while driving your scooter. When reaching, bending, or leaning while seated on your scooter, it is important to maintain a stable center of gravity and keep the scooter from tipping. Pride recommends that the scooter user determine his/her personal limitations and practice bending and reaching in the presence of a qualified healthcare professional.



WARNING! Do not bend, lean, or reach for objects if you have to pick them up from the floor by reaching down between your knees. Movements such as these may change your center of gravity and the weight distribution of the scooter and cause your scooter to tip, possibly resulting in personal injury. Keep your hands away from the tires when driving.

PRESCRIPTION DRUGS/PHYSICAL LIMITATIONS

The scooter user must exercise care and common sense when operating his/her scooter. This includes awareness of safety issues when taking prescribed or over-the-counter drugs or when the user has specific physical limitations.



WARNING! Consult your physician if you are taking prescribed or over-the-counter medication or if you have certain physical limitations. Some medications and limitations may impair your ability to operate your scooter in a safe manner.

ALCOHOL

The scooter user must exercise care and common sense when operating his/her scooter. This includes awareness of safety issues while under the influence of alcohol.



WARNING! Do not operate your scooter while you are under the influence of alcohol, as this may impair your ability to drive safely.

REMOVABLE PARTS



WARNING! Do not attempt to lift or move a scooter by any of its removable parts. Personal injury and damage to the scooter may result.

III. EMI / RFI

EMI/RFI WARNINGS

Laboratory tests performed by the Food and Drug Administration (FDA) have shown that radio waves can cause unintended motion of electric scooters. Radio waves are a form of electromagnetic energy (EM). When electromagnetic energy adversely affects the operation of an electrical device, that adverse effect is called *Electromagnetic Interference (EMI) or Radio Frequency Interference (RFI)*.

EMI/RFI FREQUENTLY ASKED QUESTIONS (FAQS)

The following FAQs summarize what you should know about EMI/RFI. Use this information to minimize the risk that EMI/RFI will adversely affect your Legend.

Where do radio waves come from?

Radio waves are emitted from the antennas of cellular phones, mobile two-way radios (such as walkie-talkies and CBs), radio stations, TV stations, amateur radio (HAM) transmitters, wireless computer links, microwave sources, and paging transmitters. Radio waves are a form of electromagnetic energy (EM). Because EM is more intense closer to transmitting antennas (sources of emission), the EM fields from two-way radios are of special concern to electric scooter users.

If EMI/RFI affects my Legend, what kind of motion should I expect?

This is difficult to predict. The answer would depend on a number of factors:

- The strength of the radio waves.
- The construction of your particular Legend.
- The location of your Legend (whether it is on the level ground or on an incline).
- Whether or not your Legend is in motion.

The motion of any electric scooter affected by EMI/RFI can be erratic. The scooter may come to a sudden stop or move in an uncontrolled manner. Also, it is possible for EMI/RFI to release the brakes of an electric scooter. Some intense EMI/RFI can even damage the control system components of an electric scooter.

Is there any way to know for certain whether or not radio waves are the cause of any unintended motion of my Legend?

Unfortunately, EMI/RFI may be difficult to recognize, since the signals from radio sources are invisible and may be intermittent. However, the FDA recommends that you report all incidents of unintended motion or unintended brake release of your electric scooter to the scooter's manufacturer and, if possible, determine whether or not there was a radio wave source nearby at the time of the incident.

One precaution you can take against inadvertent motion of your Legend is to make certain that you or someone else is not the cause of the unintended motion.

- Turn off your Legend by removing the key from the key switch when you are getting on or off of your Legend.
- Never leave the key in the key switch of an unattended Legend.
- By following these steps, you greatly reduce the risk of you or anyone else inadvertently bumping the throttle control levers and causing the Legend to move unintentionally.

Has anyone been injured by the erratic, unintended motion of an electric scooter?

The FDA has reports of injuries that resulted from uncontrolled motion of electric scooters, but it is not clear just how many of those injuries were actually caused by EMI/RFI.

III. EMI / RFI

Are all electric scooters susceptible to EMI/RFI?

Each make and model of electric scooter differs in its ability to resist EMI/RFI. That is, each scooter has a particular level of resistance to EMI/RFI. This resistance is measured in volts per meter (V/m). A higher resistance level offers greater protection against EMI/RFI. In other words, an electric scooter with a high resistance level is less likely to be affected by a strong radio source than is an electric scooter with a low resistance level.

What is the FDA doing about the problem?

The FDA has written to the electric scooter manufacturers and requested that those manufacturers test their new scooter models to be certain that they provide a reasonable degree of resistance against EMI/RFI. The FDA has stated that all newly manufactured electric scooter models should have a resistance level of at least 20 V/m. This level of resistance provides a reasonable degree of protection against the common sources of EMI/RFI.

The FDA has also requested or recommended that:

- Electric scooter manufacturers clearly label new products with that product's resistance level or state that the resistance level is not known.
- The labeling or informational material supplied with new electric scooters must explain what the resistance level means and warn users about the possibility of EMI/RFI and how to avoid it.
- Electric scooter manufacturers undertake an educational program to inform the electric scooter users and their caregivers about the problems associated with EMI/RFI and about the actions they can take to minimize the risk of EMI/RFI.
- While there is no exact way to tell if your scooter is totally safe, an immunity level of 20 V/m (May 1994) is generally achievable and useful. This product has been tested and passed at an immunity level of 20 V/m. Adding accessories and components or modifying the unit may change the susceptibility to EMI/RFI.

What can I do to find out if my Legend is likely to be affected by EMI/RFI?

If you have had your Legend for some time and have not experienced any unintended motion, it is not likely that you will have a problem in the future. However, it is always possible that EMI/RFI problems could arise if you are close to a source of radio waves. Therefore, it is very important for you to be alert to this possibility. The Legend scooter meets or exceeds a resistance level of at least 20 V/m.

What can I do to reduce the risk of my Legend being affected by EMI/RFI?

Here are some precautions you can take:

- Do not turn on or use hand-held personal communications devices, such as citizens band (CB) radios and cellular phones, while your Legend is turned on.
- Be aware of nearby radio wave transmitters, such as radio or TV stations and hand-held or mobile two-way radios. Try not to operate your Legend too close to those transmitters. For example, if you are on an electric scooter with a resistance level of at least 20 V/m, you should remain at least three feet from a hand-held two-way radio and at least ten feet from a mobile two-way radio.
- Be aware that adding accessories and/or components, or modifying your Legend in any way, may change its EMI/RFI resistance level and may make it more susceptible to interference from radio wave sources.

What should I do if my Legend moves unexpectedly?

If unintended motion or unintended brake release occurs, turn off your Legend (by removing the key) as soon as it is safe to do so.

If my Legend moves unintentionally, where should I report the incident?

Call our headquarters at 1-800-800-8586 to report the incident.

IV. SPECIFICATIONS

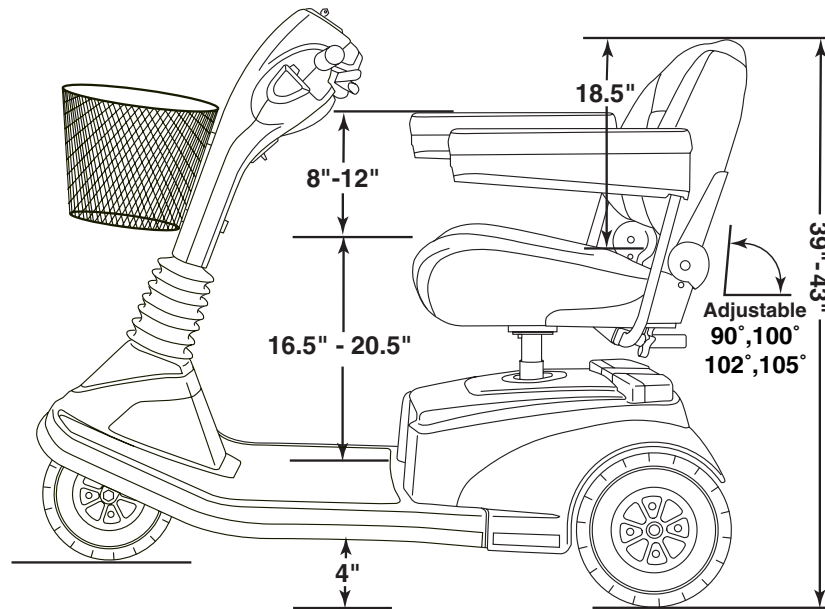
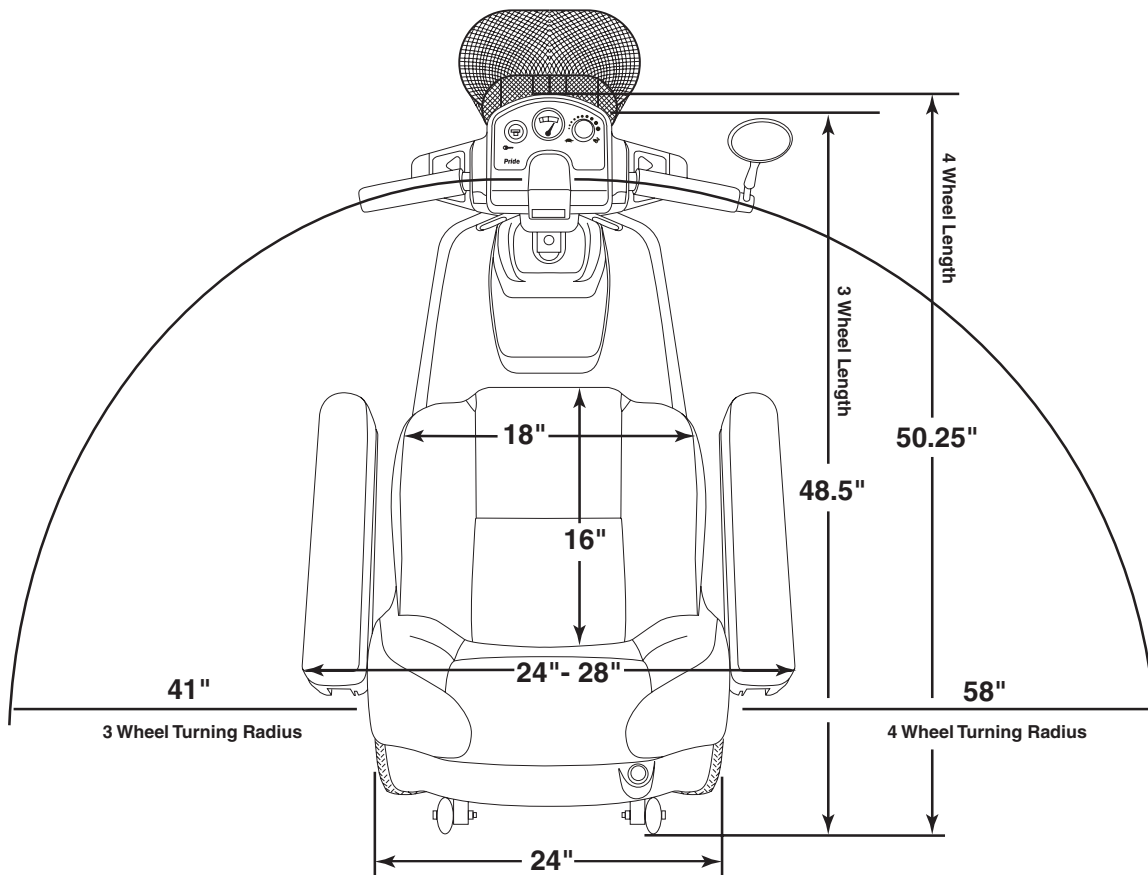


FIGURE 5. LEGEND DIMENSIONS



Specifications	
Model Numbers	SC-300 (3-wheel), SC340 (4-wheel)
Length	48.5 in. (3-wheel), 50.25 in. (4-wheel)
Width	24 in.
Tires	Type: Pneumatic: Front: 3 in. x 10 in. Rear: 4 in. x 10 in.
Weight Capacity	300 lbs. maximum
Battery Type	SLA (sealed lead-acid) Two 12V, 32AH, U-1 type, or two 12V, 40AH
Horsepower	1.2 hp (peak)
Charger	Onboard 3-amp charger
Speed (max)	Variable up to 5.25 mph
Maximum Grade	Please refer to figures 1 and 2
Range	Up to 20 - 25 miles per charge with 32AH batteries, Up to 25 - 30 miles per charge with 40AH batteries
Turning Radius	41 in. (3-wheel), 58 in. (4-wheel)
Body Colors	Painted: Champagne, White, Mercury Silver
Seating	Style: Medium back with sliders Dimensions: 18 in. width (usable) x 18.5 in. (usable) x 16 in. depth Seat cover material: Vinyl or Fabric; brown, gray, gold buff, burgundy or black Armrests: Match seat cover material User adjustable seat height from ground: 20.5 in. to 24.5 in. User adjustable seat height from scooter deck: 16.5 in. to 20.5 in.
Included Features	Dynamic front & rear suspension; non-marring bumpers; full directional light package; adjustable seat height and positioning; height adjustable armrests; sliding seat; energy saving auto shutoff feature
Brakes	Electronic regenerative braking and electromechanical disc brake
Rear Wheel Drive	Sealed transaxle, 24 VDC motor
Wheels	Pride Micro-Mag aluminum alloy wheels in black
Tiller Type	Infinitely adjustable
Freewheel Mechanism	Freewheel release lever located on upper right rear shroud
Scooter Weight	Total weight: w/40AH batteries: 208 lbs. (3-wheel), 225 lbs. (4-wheel) Total weight: w/32AH batteries: 193 lbs. (3-wheel), 210 lbs. (4-wheel) Total weight: w/o batteries: 143 lbs. (3-wheel), 160 lbs. (4-wheel) Component breakdown: Front section.....39 lbs. (3-wheel), 56 lbs. (4-wheel) Rear section (w/o batteries, shroud)61 lbs. (3 and 4-wheel) Rear plastic shroud.....35 lbs. Seat.....38 lbs. Batteries (2 required).....25 lbs. each (12V, 32AH)32.5 lbs. each (12V, 40AH) Basket.....1.5 lbs.
Front-to-Rear Lockup	Lock pin and lever system
Ground Clearance	4 in.
Optional Accessories	Cane/crutch holder, cup holder, oxygen holder, power seat assembly, rear basket, rear bumper, rearview mirror, safety flag, taillight, walker holder

V. YOUR LEGEND

Your Legend is a motorized electric scooter designed to enhance your personal mobility. Your Legend is an indoor/outdoor scooter designed to travel primarily on smooth surfaces, such as sidewalks, roads, parking lots, floors, and driveways. For easy transportation or storage, you can disassemble your Legend into seven components. See figure 6.

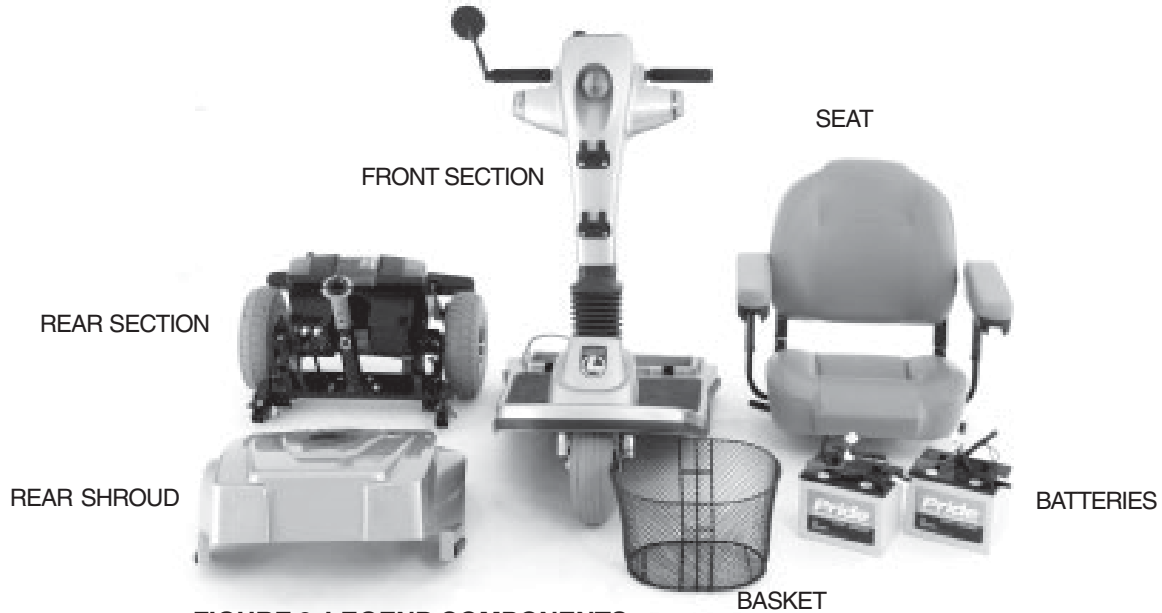


FIGURE 6. LEGEND COMPONENTS

CONTROL CONSOLE ASSEMBLY

The control console assembly houses all of the controls you need to drive your Legend, including the key switch, speed adjustment dial, throttle control lever, battery condition meter, status LED, horn buttons, light switch, turn signal buttons, and the hazard light switch. See figure 7.

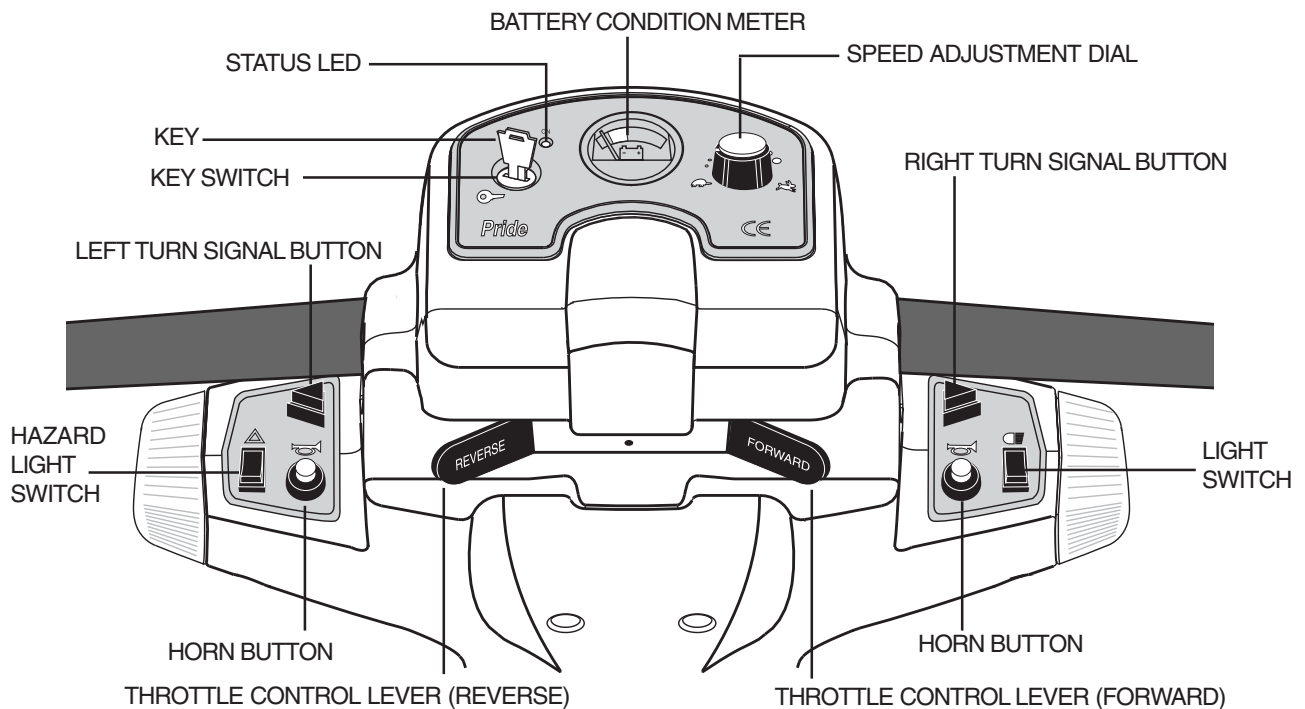


FIGURE 7. CONTROL CONSOLE ASSEMBLY

V. YOUR LEGEND

Do not expose the control console assembly to moisture. In the event that the console does become exposed to moisture, do not attempt to operate your Legend until the console has dried thoroughly.

Key Switch

- Fully insert the key into the key switch and turn it clockwise to power up (turn on) your Legend.
- Turn the key counterclockwise to power down (turn off) your Legend.



WARNING! If the key is moved to the off position while your Legend is in motion, the electronic brakes engage and your Legend comes to an abrupt stop!

Speed Adjustment Dial

This adjustment dial enables you to preselect and limit your Legend's top speed.

- The image of the tortoise represents the slowest speed setting.
- The image of the hare represents the fastest speed setting.

Throttle Control Lever

This lever allows you to control the forward speed and the reverse speed of your Legend up to the maximum speed you preset with the speed adjustment dial.

- Place your right hand on the right handgrip and your left hand on the left handgrip.
- Use your right thumb to push the right side of the lever to disengage your Legend's brakes and move forward.
- Release the lever and allow your Legend to come to a complete stop before pushing the other side of the lever to move in reverse.
- When the throttle is completely released, it automatically returns to the center "stop" position and engages your Legend's brakes.

Battery Condition Meter

Whenever you have the key turned to the on position, this meter gives an approximate reading of your Legend's battery voltage.

Horn Button

The key must be inserted and turned clockwise for the horn to be operational.

- This button activates a warning horn.
- Do not hesitate to use the warning horn when its use could prevent accident or injury.

Light Switch

This switch controls your Legend's lighting system.

- Toggle the switch forward to turn on the lights.
- Toggle the switch backward to turn off the lights.

Hazard Light Switch

This switch activates the 4-way flashers on your scooter.

- Toggle the switch forward to turn on the lights.
- Toggle the switch backward to turn off the lights.

Turn Signal Buttons

Use these buttons to turn on the left and right turn signal lights.

- Press the appropriate turn signal button once to activate it.
- Your Legend's turn signals are timed to shut off automatically.

V. YOUR LEGEND

Status LED

The Status LED alerts you to electrical problems that may occur with the Legend. The LED remains constantly lit while your scooter is on. If the Legend develops an electrical problem, the status LED will flash a code. See XI. “Basic Troubleshooting” for troubleshooting flash codes.

REAR SECTION

The onboard battery charger (not shown), the charger power cord receptacle, the batteries (not shown), the electronics module, the main circuit breaker (reset button), the ammeter, the manual freewheel lever, and the motor/transaxle assembly are located on the rear section of your Legend. See figure 8. Refer to IX. “Disassembly and Assembly” for instructions on removing the rear shroud.

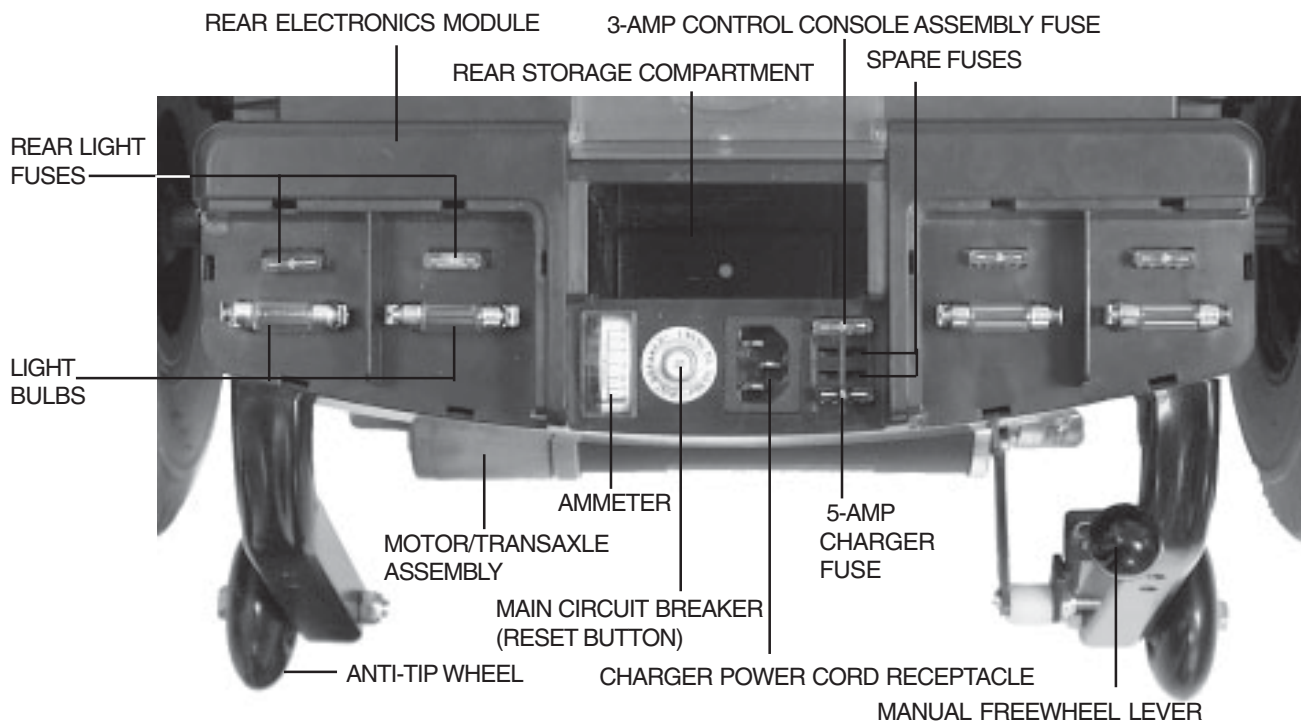


FIGURE 8. REAR SECTION (LIGHT COVERS REMOVED)

Batteries

The batteries store the electrical energy that powers your Legend. See VI. “Batteries and Charging.”

Main Circuit Breaker

When the voltage in your Legend’s batteries becomes low or your Legend is heavily strained because of excessive loads or steep inclines, the main circuit breaker may trip to protect your Legend’s motor and electronics from damage. See figure 8.

- The main circuit breaker reset button pops out when the breaker trips.
- When the breaker trips, the entire electrical system of your Legend shuts down.
- Allow a minute or two for your Legend’s electronics to “rest.”
- Push in the reset button to reset the breaker.
- If the breaker trips frequently, you may need to charge your batteries more often. You may also need to have your Pride provider perform a load test on your Legend’s batteries.
- If the main circuit breaker trips repeatedly, see your authorized Pride provider for service.

V. YOUR LEGEND

Manual Freewheel Lever

Whenever you need or want to push your Legend for short distances, you can put it in freewheel mode.



WARNING! Before placing your Legend into or taking it out of freewheel mode, make certain that the key is removed from the key switch. Even though the motor of your Legend is disengaged from the drive system when your scooter is put in freewheel mode, the motor can still run if the throttle lever is pushed. Never sit on a scooter when it is in freewheel mode. Never put a scooter in freewheel mode on any incline.

- The manual freewheel lever is located on the end of the motor/transaxle assembly at the right rear of the Legend. See figure 8.
- Pull up on the manual freewheel lever to disable the drive system and the brake system.
- You may push your Legend.
- Push down on the manual freewheel lever to reengage the drive system and the brake system and take your Legend out of freewheel mode.

Motor/Transaxle Assembly

The motor/transaxle assembly is the electromechanical unit that converts the electrical energy of your Legend's batteries into the controlled mechanical energy that drives the Legend's wheels. See figure 8.

Anti-Tip Wheels

The anti-tip wheels are an integral and important safety feature of your Legend. Do not, under any circumstances, remove the anti-tip wheels from your Legend. See figure 8.

Charger Power Cord Receptacle

The charger power cord plugs into your Legend's battery charger by means of the charger power cord receptacle.

Fuses

The fuses help protect your Legend's lighting, control console assembly, and charging systems from receiving an overload of electrical current. The fuses used in the Legend are the same type automobiles use.

- Control console assembly uses a 3-amp fuse.
- Rear lights use a 3-amp fuse.
- Charging system uses a 5-amp fuse.

If a fuse must be replaced (see XII. "Care and Maintenance") use only the specified amp fuse.

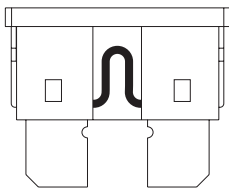


FIGURE 9. WORKING FUSE

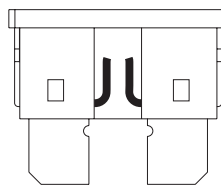


FIGURE 10. BLOWN FUSE (REPLACE)



WARNING! Failure to use properly rated fuses may cause damage to the Legend's electrical system, with the possibility of personal injury.

VI. BATTERIES AND CHARGING

Your Legend uses two long-lasting, 12-volt, deep-cycle batteries that are sealed and maintenance free. They are recharged by an onboard 3-amp charging system designed for ease of use and convenience.

- Charge your Legend's batteries prior to using it for the first time.
- Keep your batteries fully charged to keep your Legend running trouble free.

Follow these easy steps to charge your batteries safely:

1. Position your scooter close to a standard wall outlet.
2. Remove the key from the control console assembly.
3. Make certain that the manual freewheel lever is in the down (drive) position. See figure 8.
4. Plug the charger cord into the charger power cord receptacle on the scooter.
5. Extend the charger power cord and plug it into the wall outlet.



WARNING! Never use an extension cord to plug in your battery charger. Plug the charger directly into a properly wired standard wall outlet.

NOTE: There is a charger inhibit on your scooter. The scooter will not run and the battery condition meter will not operate while the batteries are charging.

6. It is recommended that you charge your batteries for 8 to 14 hours. You can check this periodically by the battery condition meter on the control console assembly. However, you must first unplug the battery charger and then insert the key. The battery condition meter on the control console assembly indicates the approximate strength of your batteries. See figure 11. You can also check the charge by the ammeter which is visible on the rear electronics module. The battery charger must be plugged into a wall outlet to obtain a reading. When the amperage reading is at or near zero (0) amps, the battery charging is complete. See figure 12.
7. When the batteries are fully charged, unplug the charger power cord from the wall outlet and then from the charger power cord receptacle.

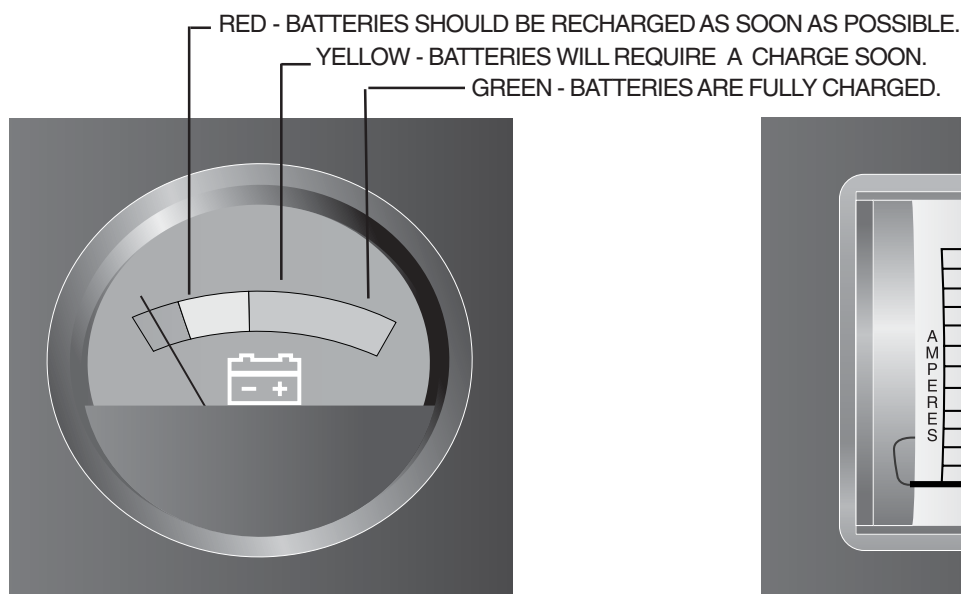


FIGURE 11. BATTERY CONDITION METER



FIGURE 12. AMMETER INDICATES BATTERY IS FULLY CHARGED

VI. BATTERIES AND CHARGING

AUTO SHUTOFF FEATURE

The Legend is equipped with an energy saving auto shutoff feature.

- If the Legend's key is left in the on position and the scooter remains inactive for approximately 20 minutes, the scooter will shut down. This feature is designed to preserve battery life.

To restore power back to the Legend:

- Turn the key counterclockwise to the off position.
- Turn the key clockwise to the on position.

Your Legend will now resume normal operation.

BATTERIES AND CHARGING-FREQUENTLY ASKED QUESTIONS (FAQS)

How does the charger work?

When your Legend's battery voltage is low, the charger works harder and sends more electrical current to the batteries to bring up their charge. As the voltage of the batteries approaches a full charge, the charger sends less and less electrical current to the batteries. When the batteries are fully charged, the current sent to them from the charger is at nearly zero amperage. Therefore, when the charger is plugged in, it maintains the charge on your Legend's batteries, but does not overcharge them. We do not recommend that you charge your Legend's batteries for more than 24 consecutive hours.

What if the Legend's batteries won't charge?

- Be sure the battery cables are connected properly.
- Are both ends of the charger cord inserted fully?
- Examine the 5-amp charger fuse. If the fuse is blown the batteries will not charge. See figures 9 and 10.

Can I use a different charger?

For the safest, most efficient and balanced charging of your Legend's batteries, we prefer and highly recommend the simultaneous charging of both batteries by use of the onboard battery charger.

How often must I charge the batteries?

Two major factors must be considered when deciding how often to charge your Legend's batteries:

- All day scooter use on a daily basis.
- Infrequent or sporadic scooter use.

With these considerations in mind, you can determine just how often and for how long you should charge your Legend's batteries. We designed the onboard charger so that it will not overcharge your scooter's batteries (do not charge them for more than 24 consecutive hours). However, you may encounter some problems if you do not charge your batteries often enough and if you do not charge them on a regular basis. Following the five guidelines below will provide safe and reliable battery operation and charging.

- If you use your Legend daily, charge its batteries as soon as you finish using it for the day. Your Legend will be ready each morning to give you a "full day" of service. We recommend that you charge your Legend's batteries for 8 to 14 hours after daily use.
- If you use your Legend once a week or less, charge its batteries at least once a week for 12 to 14 hours at a time.
- Keep your Legend's batteries fully charged.
- Avoid deeply discharging your Legend's batteries.
- Do not charge your Legend's batteries for more than 24 consecutive hours.

VI. BATTERIES AND CHARGING

How can I get maximum range or distance per charge?

Rarely will you have ideal driving conditions—smooth, flat, hard driving surfaces with no wind or curves. You will often face hills, sidewalk cracks, uneven and loosely packed surfaces, curves, and wind. All of these driving conditions affect the distance or running time per battery charge. Below are a few suggestions for obtaining the maximum range per battery charge.

- Always fully charge your Legend's batteries prior to your daily use.
- Maintain **30-35 psi** (pounds per square inch) in all of your Legend's tires.
- Plan your route ahead to avoid as many hills, cracked, broken, or soft surfaces as possible.
- Limit your baggage weight to essential items.
- Try to maintain an even speed while your Legend is in motion.
- Avoid stop-and-go driving.

What type and size of battery should I use?

We recommend deep-cycle batteries that are sealed and maintenance free. Both sealed lead-acid and gel cell are deep-cycle batteries that are similar in performance. Do not use wet-cell batteries, which have removable caps.

NOTE: Do not remove the caps from sealed batteries. Water cannot be added to sealed batteries. Cap removal voids the battery warranty and may cause damage to the batteries and to your Legend.

Use these specifications to reorder deep-cycle batteries:

Type: Deep-cycle (sealed lead-acid or gel cell)
Size: U-1 (32 AH only)
Voltage: 12 volts each
Amperage: 32 AH or 40 AH (amp hours)

To change a battery in your Legend:



WARNING! Battery posts, terminals and related accessories contain lead and lead compounds. Wash hands after handling.

1. Remove the seat and the rear shroud. See IX. "Disassembly and Assembly."
2. Disconnect the battery tie-down straps.
3. Disconnect the battery cables from the rear electronics module.
4. Disconnect the battery cables from the battery terminals.
5. Remove the old battery.
6. Place a new battery in the battery well.
7. Connect the red battery cable to the positive (+) battery terminal.
8. Connect the black battery cable to the negative (-) battery terminal.
9. Reconnect the battery cables to the rear electronics module.
10. Reconnect the battery tie-down cables.
11. Reinstall the rear shroud and the seat.

Why do my new batteries seem weak?

Deep-cycle batteries employ a different chemical technology than is used in car batteries, nickel-cadmium batteries (nicads), or in other common battery types. Deep-cycle batteries are specifically designed to provide power, drain down their charge, and then accept a relatively quick recharge.

VI. BATTERIES AND CHARGING

We work closely with our battery manufacturer to provide batteries that best suit your Legend's specific electrical demands. Fresh batteries arrive daily at Pride and are shipped fully charged to our customers. During shipping, the batteries may encounter temperature extremes that may influence their initial performance. Heat diminishes the charge on the battery; cold slows the available power and extends the time needed to recharge the battery.

It may take a few days for the temperature of your Legend's batteries to stabilize and adjust to their new room or ambient temperature.

More importantly, it takes a few charging cycles (a partial drain followed by a full recharge) to establish the critical chemical balance that is essential to a deep-cycle battery's peak performance and long life.

Please follow these steps to properly break in your Legend's new batteries for maximum efficiency and service life.

1. Fully recharge any new battery prior to its initial use. This charging cycle brings the battery up to about 88% of its peak performance level.
2. Operate your new Legend in familiar and safe areas. Drive slowly at first, and do not travel too far from your home or familiar surroundings until you have become accustomed to your Legend's controls and have properly broken in your scooter's batteries.
3. Fully recharge the batteries. They should be at over 90% of their peak performance level.
4. Operate your Legend again.
5. Fully recharge the batteries again.
6. After four or five charging cycles, the batteries are able to receive a charge of 100% of their peak performance level and are able to last for an extended period of time.

How can I ensure maximum battery life?

Fully charged deep-cycle batteries provide reliable performance and extended battery life. Keep your Legend's batteries fully charged whenever possible. Batteries that are regularly and deeply discharged, infrequently charged, or stored without a full charge may be permanently damaged, causing unreliable performance and limited service life.

How should I store my Legend and its batteries?



WARNING! If your Legend's batteries do become frozen, do not attempt to charge them. Cold or frozen batteries should be allowed to warm up for several days prior to recharging.

If you plan on not using your Legend for an extended period of time, it is best to:

- Fully charge its batteries prior to storage.
- Disconnect the battery harnesses from the rear electronics module.
- Store your Legend in a warm dry environment.
- Avoid storing your Legend where it will be exposed to temperature extremes.

For prolonged storage, you may wish to place several boards under the frame of your Legend to raise the scooter off of the ground. This takes the weight off of the tires and reduces the possibility of flat spots developing on the areas of the tires contacting the ground.

What about public transportation?

If you intend to use public transportation while using your scooter, you must contact in advance the transportation provider to determine their specific requirements.

VII. OPERATION

GETTING ON YOUR LEGEND

1. Make certain that the key is removed from the key switch.
2. Stand at the side of your Legend.
3. Push down on the seat lock lever and rotate the seat until it is facing you.
4. Make certain that the seat is locked securely in position.
5. Position yourself comfortably and securely in the seat.
6. Push down on the seat lock lever and rotate the seat until you are facing forward.
7. Make certain that the seat is locked securely in position.
8. Make certain that your feet are safely on the floorboard.
9. Follow the checklist below. Familiarize yourself with this checklist, since some of the checks must be performed before you get on your Legend.

PRE-RIDE ADJUSTMENTS AND CHECKS

- Have you fully charged the batteries? See VI. “Batteries and Charging.”
- Is the manual freewheel lever in the drive (down) position? Never leave the manual freewheel lever pulled up unless you are manually pushing your Legend. See V. “Your Legend.”
- Is your proposed path clear of people, pets, and obstacles?
- Have you planned your route to avoid adverse terrain and as many inclines as possible?
- Are you positioned comfortably in the seat? See “Getting On Your Legend,” above.
- Is the seat at the proper height? See VIII. “Comfort Adjustments.”
- Is the seat locked securely in place? See VIII. “Comfort Adjustments.”
- Is the tiller handle at a comfortable setting and locked securely in place? See VIII. “Comfort Adjustments.”
- Is the key fully inserted into the key switch and in the on position? See V. “Your Legend.”
- Is the speed adjustment dial set to a lower setting? See V. “Your Legend.”
- Are you grasping the handgrips with a thumb resting on each side of the throttle lever? See V. “Your Legend.”
- Does your Legend’s horn work properly?

OPERATING YOUR LEGEND

After planning your route:

- Adjust the speed adjustment dial on the control console assembly to your desired speed.
- Press your thumb against the appropriate throttle lever.
- The electric brake automatically disengages and the Legend accelerates smoothly to the speed you preselected with the speed adjustment dial.

WHETHER YOU ARE DRIVING FORWARD OR IN REVERSE

- Pull on the left handgrip to steer your Legend to the left.
- Pull on the right handgrip to steer your Legend to the right.
- Move the tiller to the center position to drive straight ahead.
- Release the throttle lever to decelerate and come to a complete stop.
- The electric brake automatically engages when your Legend comes to a stop.

VII. OPERATION

NOTE: The rear wheel drive transaxle gives your Legend maximum traction with minimal steering effort on your part.

GETTING OFF OF YOUR LEGEND

1. Bring your Legend to a complete stop.
2. Make certain that the key is turned (counterclockwise) to the off position.
3. Push down on the seat lock lever and rotate the seat until you are facing toward the side of your Legend.
4. Make certain that the seat is locked securely in position.
5. Carefully and safely get out of the seat and stand to the side of your Legend.
6. You may, if you wish, leave the seat facing to the side to facilitate boarding your Legend the next time you are going to operate it.

VIII. COMFORT ADJUSTMENTS

TILLER ANGLE ADJUSTMENT



WARNING! Remove the key before adjusting the tiller. Never attempt to adjust the tiller while the scooter is in motion.

The tiller can be adjusted to any position between the forward stop and the scooter deck. The tiller adjustment lever keeps the tiller in position.

1. Pull up on the tiller adjustment lever. See figure 13.
2. Move the tiller to a comfortable position.
3. Release the tiller adjustment lever. The tiller remains in the position you selected.

NOTE: In order to lower the tiller to the scooter deck, you must first remove the seat, rear shroud, and both batteries. See IX. "Disassembly and Assembly."

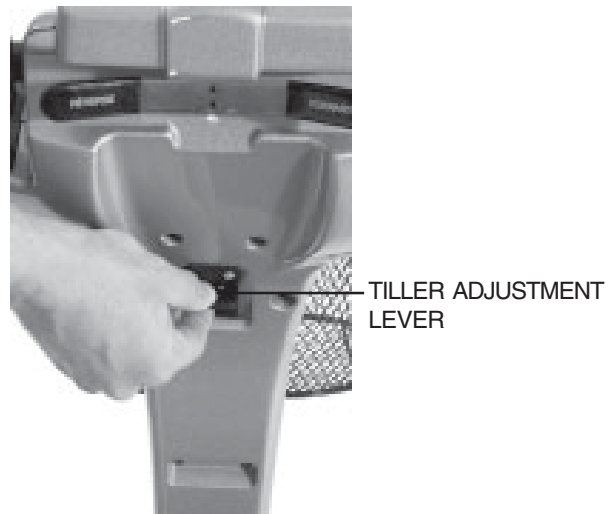


FIGURE 13. TILLER ADJUSTMENT

SEAT HEIGHT ADJUSTMENT

The seat can be repositioned to one of five different heights.

1. Remove the seat and shroud from your Legend. See IX. "Disassembly and Assembly."
2. Use the attached ring to pull and remove the ball detent pin from the lower seat post. See figure 14.
3. Raise or lower the seat pedestal to the desired seat height.
4. While holding the seat pedestal at that height, match up the holes in the seat pedestal and in the lower seat post.
5. Fully insert the ball detent pin.
6. Reinstall the rear shroud and the seat.

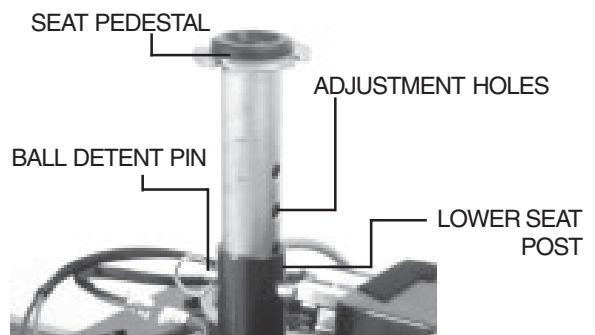


FIGURE 14. SEAT HEIGHT ADJUSTMENT

FRONT-TO-BACK SEAT ADJUSTMENT

The Legend is equipped with a sliding seat that is operated like an automobile seat. You can reposition the Legends's seat forward or rearward.

1. Pull out the front-to-back seat release lever. See figure 15.
2. Move the seat forward or rearward.
3. Release the front-to-back seat lever.

SEAT ROTATION

The seat lock lever locks the seat in one of four positions.

1. Push down on the seat lock lever to unlock the seat. See figure 15.
2. Rotate the seat to the desired position.
3. Release the seat lock lever to lock the seat securely in place.

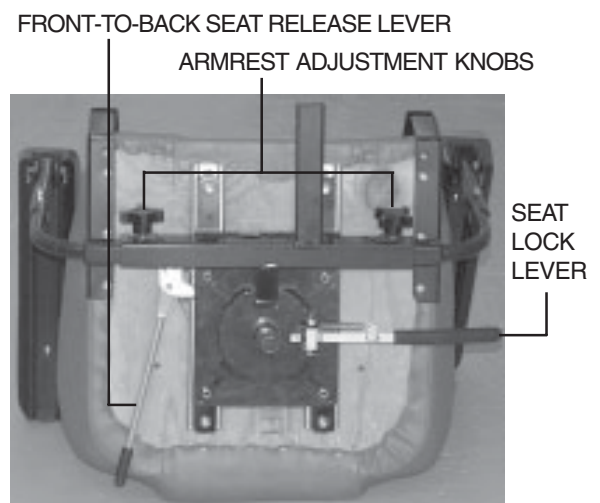


FIGURE 15. SEAT ADJUSTMENTS

VIII. COMFORT ADJUSTMENTS

ARMREST WIDTH ADJUSTMENT

The Legend armrest width can be adjusted inward or outward.

1. Loosen the armrest adjustment knobs at the back of the seat frame. See figure 16.
2. Slide the armrests in or out to the desired width.
3. Tighten the armrest adjustment knobs.

The armrests can also be lifted upward to allow getting on and off of your Legend easier.

ARMREST HEIGHT ADJUSTMENT

Refer to figure 16 when adjusting the armrest height.

You will need the following tools to adjust the height of the armrests:

• 5/32in. Hex Key • 1/8in. Hex Key • 7/16in. Wrench

1. Loosen the setscrew on the side of the height adjustment tube with the 1/8" hex key. See figure 16.
2. Loosen and remove the acorn nut and screw holding the height adjustment tube in place.
3. Raise or lower the height adjustment tube to the desired height.
4. Align the holes in the adjustment tube with the holes in the armrest upright.
5. Insert the screw through the holes in both the height adjustment tube and the armrest upright.
6. Install and tighten the acorn nut.
7. Tighten the setscrew on the side of the height adjustment tube.
8. Repeat for the other armrest.

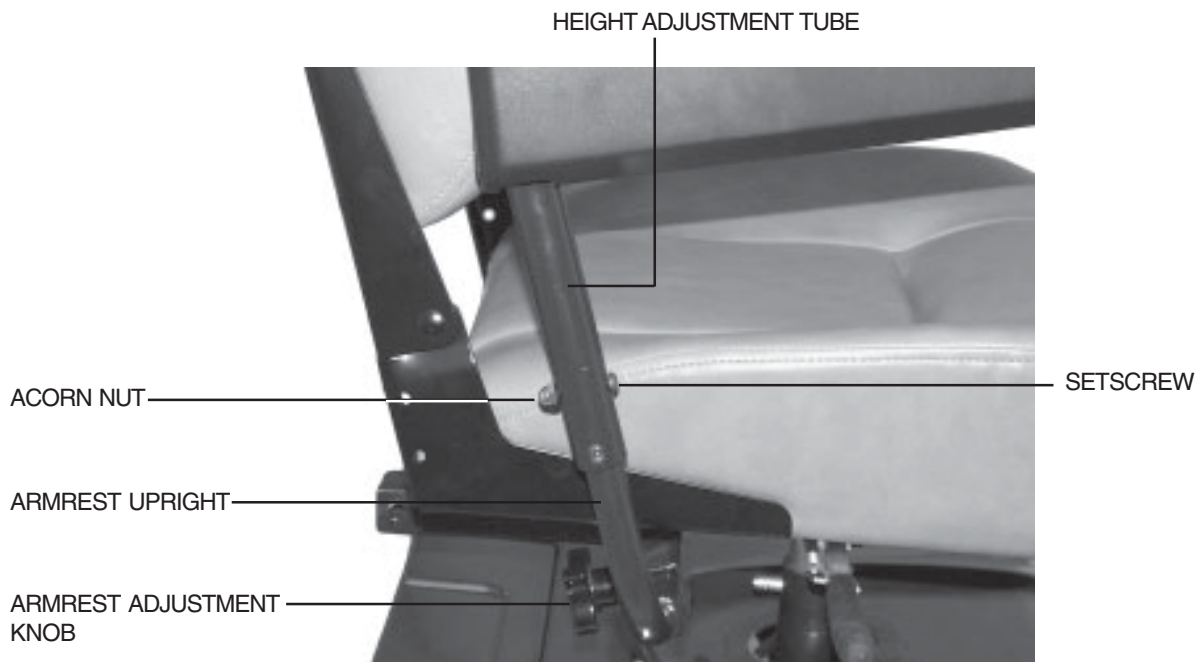


FIGURE 16. ARMREST ADJUSTMENTS

VIII. COMFORT ADJUSTMENTS

SEATBACK ADJUSTMENT

The seatback may be positioned to 4 different angles: 90°, 100°, 102° and 105°. See figure 16A.

To adjust the seat back angle:

1. Loosen and remove the adjustment screw from the seatback hinge on both sides of the seat.
2. Reposition the seatback to the desired angle.
3. Align the adjustment holes from the upper and lower hinge, so the adjustment screw can easily pass through.
4. Reinsert both adjustment screws and tighten.

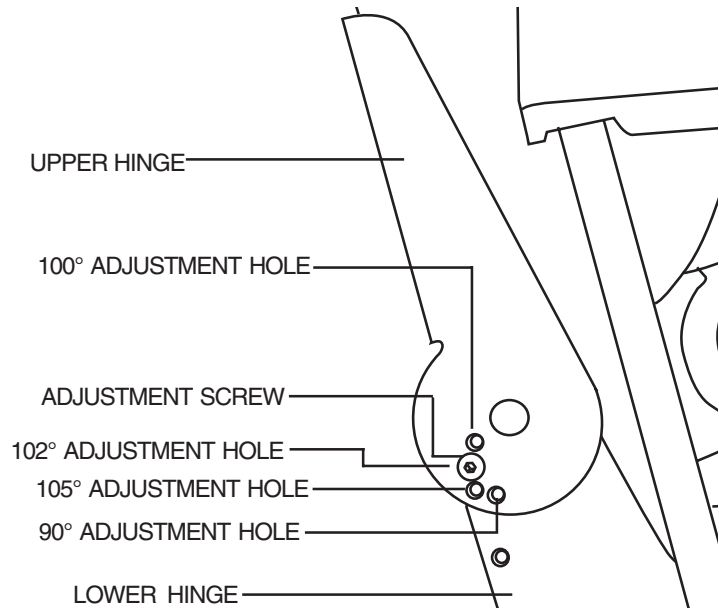


FIGURE 16A. SEATBACK HINGE

POWER SEAT ACTUATOR (OPTIONAL)

Your Legend may be equipped with a power seat actuator, which raises and lowers the seat automatically. See figure 17.



WARNING! The power seat mechanism is intended for operation only while the vehicle is stationary and on a level surface. Its purpose is to aid you in reaching objects. Strict adherence to the following safety rules is vital to your safety: Do not attempt to raise or lower the seat while in motion! Do not operate your scooter with the power seat elevated. It is recommended that the vehicle be driven only with the seat in the lowest position.

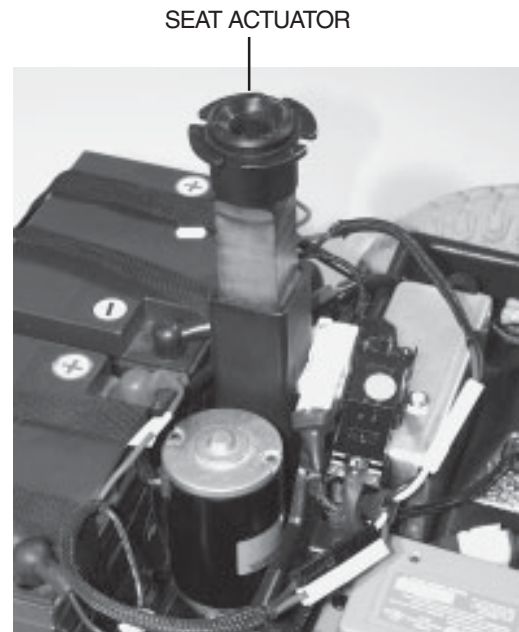


FIGURE 17. POWER SEAT ACTUATOR (OPTIONAL)

IX. DISASSEMBLY AND ASSEMBLY

No tools are required to disassemble or assemble your Legend. Always disassemble or assemble your Legend on a level, dry surface with sufficient room for you to work and move around your scooter. Keep in mind that the disassembled sections of the Legend take up more floor space than the assembled Legend.

DISASSEMBLY

You can disassemble the Legend into seven pieces: the seat, the front section, the rear section, the rear shroud, the basket, and the batteries. Place the scooter in an area where you have sufficient clearance to move the parts around. You need about four or five feet in all directions. You may need assistance to lift some of the scooter components. See IV. “Specifications” for individual component weights.

1. Place the manual freewheel lever in the drive (down) position.
2. Coil the charger cord and store it in the rear storage compartment. See figure 8.
3. Gently lift the seat up and off of the Legend. See figure 18.
4. Gently lift the rear shroud off of the Legend. See figure 19.
5. Disconnect the battery tie-down straps (if so equipped).
6. Unplug both black and white 2-pin battery harnesses. See figure 20.
7. Unplug the silver front-to-rear harness that connects the control console assembly to the rear electronics module. See figure 21.
8. Lift both batteries off the Legend. See figure 22.



CAUTION! Failure to unplug both battery harnesses and the front-to-rear harness prior to disassembly could result in permanent damage to the Legend. Grab the handle grip on the tiller, pull upward on the tiller adjustment lever, and gently lower the tiller down to the center of the Legend chassis until it is fully lowered.

10. Push the locking levers forward and remove the ball detent pins. See figures 23 and 24.
11. Gently slide the two sections of the scooter apart. See figure 25.

Note: There is no need to disconnect the motor harness when disassembling the Legend.



FIGURE 18. SEAT REMOVAL



FIGURE 19. SHROUD REMOVAL

IX. DISASSEMBLY AND ASSEMBLY

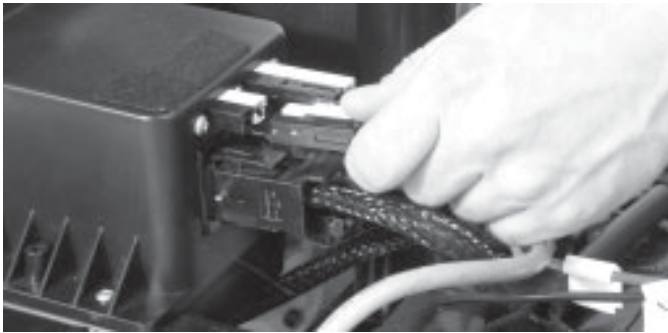


FIGURE 20. DISCONNECTING THE BATTERY HARNESS

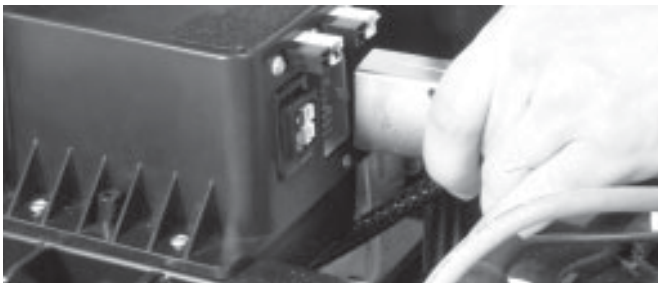


FIGURE 21. DISCONNECTING THE FRONT-TO-REAR HARNESS

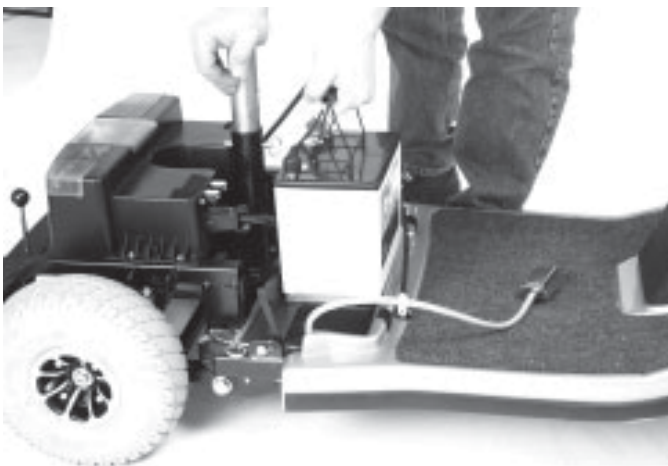


FIGURE 22. BATTERY REMOVAL

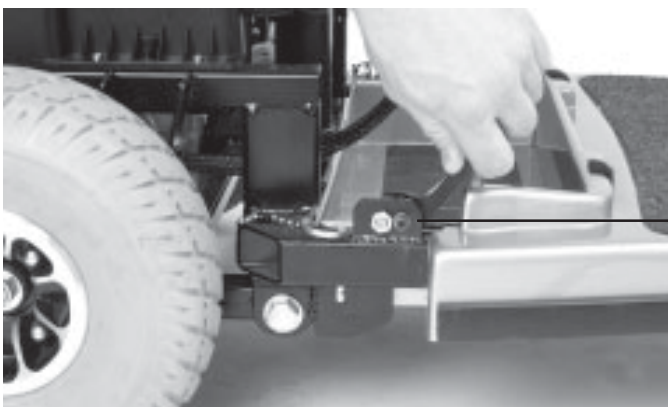


FIGURE 23. LOCKING CAM LEVERS

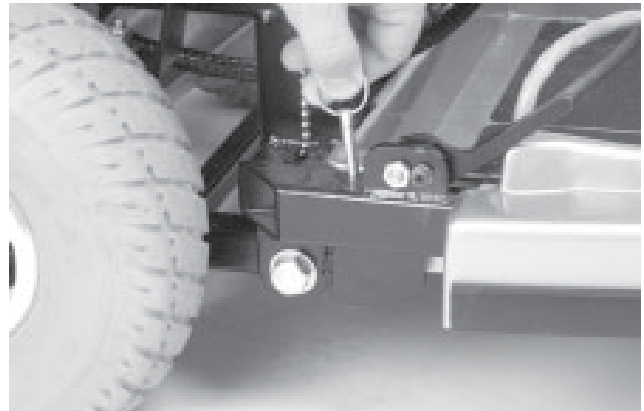


FIGURE 24. BALL DETENT PINS WITH RINGS



FIGURE 25. SEPARATING THE FRAME SECTIONS

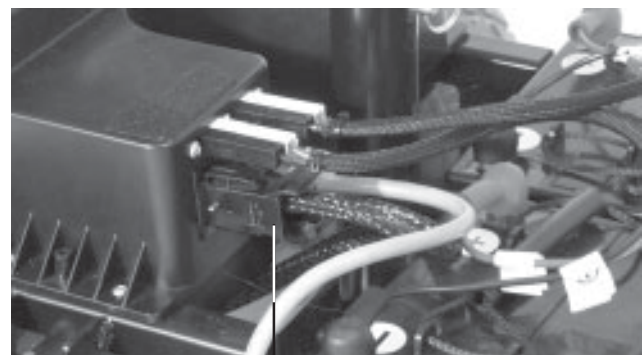


FIGURE 26. MOTOR HARNESS.

UNLOCKED POSITION

IX. DISASSEMBLY AND ASSEMBLY

ASSEMBLY

NOTE: Raise the tiller before starting to assemble the Legend.

1. Place the manual freewheel lever in the drive (down) position.
2. Position the front and rear sections next to each other.
3. Tilt the rear end to a horizontal position and insert the longer tube of the front end into the rear section first; make sure that the locking cam levers are in the unlocked (vertical) position and the ball detent pins are removed.
4. Slide the two sections of the unit together until the front half reaches its insertion limit.
5. Secure the front and rear sections with the ball detent pins.
6. Push the frame lock levers back to their locked (downward) position.
7. Plug the silver front to rear harness into the mating plug found on the rear electronics module.
8. Put the batteries in place and plug the black and white, 2-pin battery harnesses into the rear electronics module.
9. Reconnect the battery tie-down straps (if so equipped).
10. Gently place the rear shroud over the seat pedestal.
11. Slide the shroud down in place.
12. Carefully lift the seat and slide the small seat post (on the seat bottom) into the seat pedestal.
13. Rotate the seat until it locks into place.

X. OPTIONAL ACCESSORIES

OPTIONAL ACCESSORIES

For information concerning these optional accessories, see your authorized Pride provider.



• SINGLE CANE/CRUTCH HOLDER



• DOUBLE CANE/CRUTCH HOLDER



• WALKER HOLDER



• FOREARM CRUTCH HOLDER



• OXYGEN TANK HOLDER



• REAR BASKET



• SAFETY FLAG



• CUP HOLDER

XI. BASIC TROUBLESHOOTING

Any electromechanical device occasionally requires some troubleshooting. However, most of the problems that may arise can usually be solved with a bit of thought and common sense. Many of these problems occur because the batteries are not fully charged or because the batteries are worn down and can no longer hold a charge.

DIAGNOSTIC FLASH CODES

The diagnostic flash codes for your Legend are designed to help you perform basic troubleshooting quickly and easily. A diagnostic flash code will flash from the status LED in the event one of the conditions listed below develops.

NOTE: Your scooter will not run unless the flash code condition is resolved and the scooter has been turned off then turned back on.

FLASH CODE	CONDITION	SOLUTION
■ ■ ■ ■ ■	Batteries are too low to operate the Scooter or the charger is operating.	Charge batteries or unplug the charger power cord from the electrical outlet.
■ ■	Controller is hot; the Scooter seems to be losing power.	Shut down your Scooter for a minimum of several minutes to allow the controller to cool.
■ ■ ■ ■	Wigwag fault; your throttle control levers are not responding.	Call your authorized Pride provider for assistance.
■ ■ ■ ■ ■	The manual freewheel lever is in the (up) freewheel position.	Turn the Scooter key to the off position, then push the manual freewheel lever to the (down) drive position, restart your Scooter.
■ ■ ■ ■ ■ ■ ■	Scooter is operating with the charger attached.	Unplug the charger cord from the charger power cord receptacle.

What if all the systems on my Legend seem to be “dead”?

- Make certain that the key is in the on position.
- Check that the batteries are fully charged. See VI. “Batteries and Charging.”
- Push in the reset button of the main circuit breaker. See V. “Your Legend.”
- Make certain that both battery harnesses are firmly connected to the rear electronics module and to the battery terminals. See IX. “Disassembly and Assembly.”
- Make sure that the silver front-to-rear harness is firmly connected to the rear electronics module . See IX. “Disassembly and Assembly.”
- Be sure the auto shut off feature hasn’t been activated. See VI. “Batteries and Charging.”

What if the motor runs but my Legend does not move?

- Your Legend was probably left in freewheel mode.
- With the key turned on Check the status LED. If the LED flashes three times, a short pause, then flashes two times, this is the manual freewheel lever code and means your Legend is in freewheel mode. See figure 7.
- When the manual freewheel lever is pulled up, the brakes are disengaged and all power to the transaxle is cut.
- Push down the manual freewheel lever to restore normal operation to your Legend. See V. “Your Legend.”

XI. BASIC TROUBLESHOOTING

What if the main circuit breaker repeatedly trips? See V. “Your Legend.”

- Charge the Legend’s batteries more frequently. See VI. “Batteries and Charging.”
- If the problem continues, have both of your Legend’s batteries load tested by your authorized Pride provider.

NOTE: You may perform the load test yourself. Battery load testers are available at most automotive parts stores.

- Follow the directions supplied with the load tester.
- See VI. “Batteries and Charging” or IV. “Specifications” for information about your Legend’s battery type.

What if the battery condition meter dips way down and the motor surges or hesitates when I press my Legend’s throttle control lever? (See V. “Your Legend.”)

- Fully charge your Legend’s batteries. See VI. “Batteries and Charging.”
- Have your authorized Pride provider load test each battery.
- Or, see the previous troubleshooting question for load testing the batteries yourself.

If you experience any problems with your Legend that you are not able to solve, immediately contact your authorized Pride provider for information, maintenance, and service.

XII. CARE AND MAINTENANCE

Your Legend requires a minimal amount of care and maintenance. If you do not feel confident in your ability to perform the maintenance listed below, you may schedule inspection and maintenance at your authorized Pride provider. The following areas require periodic inspection and/or care and maintenance.

TIRE PRESSURE:

- For optimum scooter performance we recommend that the tire pressure be maintained between **30-35 psi**.



WARNING! Do not exceed that pressure; overinflating a tire can cause it to explode.

- Regularly inspect your Legend's tires for signs of wear.
- Use a rubber conditioner on your Legend's tires to help to preserve them.



WARNING! Do not put rubber conditioner on tire tread; this may cause the tires to become dangerously slippery.

EXTERIOR SURFACES:

- Bumpers and trim also benefit from an occasional application of rubber or vinyl conditioner.



WARNING! Do not use a rubber or vinyl conditioner on the Legend's vinyl seat; it may become dangerously slippery.

BATTERY TERMINAL CONNECTIONS:

- Make certain that the terminal connections remain tight and uncorroded.
- The batteries must sit flat in the battery wells.
- The battery terminals should face the rear of the Legend.

WIRING HARNESSES:

- Regularly check all wiring connections.
- Regularly check all wiring insulation, including the charger power cord, for wear or damage.
- Have your Authorized Pride provider repair or replace any damaged connector, connection, or insulation that you find before using your Legend again.

ABS PLASTIC SHROUDS:

- The front console shroud, front shroud, and the rear shroud are formed from durable ABS plastic and coated with an advanced formula urethane paint.
- A light application of car wax will help the shrouds retain their high gloss.

AXLE BEARINGS AND THE MOTOR/TRANSAXLE ASSEMBLY:

- These items are all prelubricated, sealed, and require no subsequent lubrication.

MOTOR BRUSHES:

- The motor brushes are housed inside of the motor transaxle assembly. They should be inspected periodically for wear by your Pride provider.

XII. CARE AND MAINTENANCE

CONSOLE, CHARGER, AND ELECTRONIC CONTROLLER ASSEMBLY:

- Keep these areas free of moisture.
- If any of these items do become exposed to moisture, let them dry thoroughly before operating your Legend again.

STORAGE

See VI. "Batteries and Charging."

REAR LIGHTS

The light bulbs for rear running lights and turn signals are easily replaceable. Each bulb has its own fuse.

NOTE: Replacement light bulbs can be purchased from your Pride provider.

- Remove the light cover which is held in place with one (1) Phillips head screw.
- Gently remove the bulb from between the clip. See figure 8.
- Insert a new 24V, 5 watt bulb.
- Replace the light cover.

FUSES

In the event a fuse should (blow) cease to work:

- Remove the fuse by pulling it up and out of its slot. See figure 8.
- Examine the fuse to be sure it is blown. See figures 9 and 10.
- Insert a new fuse of the proper rating.

XIII. WARRANTY

THREE-YEAR LIMITED WARRANTY

Three years on all structural frame components; including platform, fork, seat post, and frame.

Three year prorata drive train warranty; including transaxle, motor, and brake.

- First year: 100% replacement of parts cost
- Second year: 67% replacement of parts cost
- Third year: 50% replacement of parts cost

THREE-YEAR WARRANTY EXCEPTIONS

Transaxle: In cases where there is an increase in the operational noise level, the warranty does not apply. (The increase in operational noise level usually occurs due to abusive and excessive strain on the scooter.)

Motor: If damage occurs to the motor commutator as a result of not replacing the motor brushes after heavy wear to the brushes. Motor brushes are wear items and are not warranted.

Motor brake: Three-year warranty for the electrical function of the motor brake. Brake pads are a wear item and are not warranted.

ONE-YEAR LIMITED WARRANTY

For one (1) year from the date of purchase, Pride will repair or replace, at our option, to the original purchaser, free of charge, any part found upon examination by an authorized representative of Pride to be defective in material and/or workmanship.

The battery is warranted by the battery manufacturer. The battery is not warranted by Pride.

Warranty service can be performed by a provider authorized by Pride or by Pride. Do not return faulty parts to Pride without prior consent. All transportation costs and shipping damage incurred while submitting parts for repair or replacement are the responsibility of the original purchaser.

WARRANTY EXCLUSIONS

- ABS plastic shrouds and footrest covers (wear items and not warranted)
- Batteries (the battery manufacturer provides a six-month limited warranty)
- Tires and tire tubes (wear items and not warranted)
- Upholstery and seating (wear items and not warranted)
- Repairs and/or modifications made to any part of the scooter without specific and prior consent from Pride
- Circumstances beyond the control of Pride
- Damage caused by:
 - Battery fluid spillage or leakage
 - Abuse, misuse, accident, or negligence
 - Improper operation, maintenance, or storage
 - Commercial use or use other than normal
- Labor, service calls, shipping, and other charges incurred for repair of the product

XIII. WARRANTY

There is no other express warranty.

Implied warranties, including those of merchantability and fitness for a particular purpose, are limited to one (1) year from the date of original purchase and to the extent permitted by law. Any and all implied warranties are excluded. This is the exclusive remedy. Liabilities for consequential damages under any and all warranties are excluded.

Some states do not allow limitations on how long an implied warranty lasts or do not allow the exclusion of limitation of incidental or consequential damages. So, the above limitation or exclusion may not apply to you.



Pride
Mobility Products Corp.

**182 Susquehanna Ave.
Exeter, PA 18643**

1-800-800-8586

www.pridemobility.com