

HERCULES

3000

Pride Mobility Products Corporation



Owner's Manual

Pride
Mobility Products Corp.

Exeter, PA
St. Catharines, ON

1-800-800-8586

www.pridemobility.com

SAFETY GUIDELINES

Read and follow all of the instructions in this manual before you attempt to operate your Hercules 3000 for the first time. If you are unable to understand any of this information or require additional assistance for set-up, contact your local Pride Provider.

The following symbols will be used throughout this owner's manual to identify warnings and cautions. It is very important for you to read and understand them completely.



WARNING! Failure to heed the warnings in this owner's manual may result in personal injury.



CAUTION! Failure to heed the cautions in this owner's manual may result in damage to your Hercules 3000.

CONTENTS

HERCULES 3000



I. INTRODUCTION	4
II. ASSEMBLY AND DISASSEMBLY	6
III. INSTALLATION	7
SUPPLIED HARDWARE	7
TRUNK INSTALLATION	11
VAN INSTALLATION	12
ELECTRICAL.....	15
IV. SCOOTER DOCKING DEVICES	16
V. JAZZY DOCKING DEVICES	22
VI. OPERATION	26
VII. ACCESSORIES	28
XIII. WARRANTY	29

I. INTRODUCTION

Welcome to Pride Mobility Products Corporation (Pride). Congratulations on the purchase of your new Pride Hercules lift. The Hercules design combines the most advanced state-of-the-art components with modern, attractive styling. We are certain that the design features and trouble-free operation will add convenience to your daily living and ensure complete satisfaction.

At Pride, your safety is important to us. **Please read and follow all instructions in this manual before operating your Hercules lift for the first time.** These instructions were produced for your benefit. Your understanding of these instructions is essential for the safe operation of your new Pride Hercules lift.

Pride is not liable for damage to property or personal injury arising out of the unsafe use of a Pride Hercules lift. Pride is also not liable for any property damage or personal injury arising out of the failure of any person and/or user to follow the instructions and recommendations set forth in this manual or any other instructions or recommendations contained in other Hercules lift related literature issued by Pride or contained on the Pride Hercules lift itself.

This owner's manual is compiled from the latest specifications and product information available at the time of publication. We reserve the right to make changes as they become necessary. Any changes to our products may cause slight variations between the illustrations and explanations in this manual and the product you have purchased.

If you experience any problems with your Hercules lift that you are not able to solve, or if you do not feel capable of safely following any of the instructions and/or recommendations contained in this manual, please contact your authorized Pride provider for assistance.

Once you understand how to operate and take care of your Hercules lift, we are certain that it will give you years of trouble-free service and enjoyment.

Information Exchange

We want to hear your questions, comments, and suggestions regarding this manual. We would also like to hear about the safety and reliability of your new Pride Hercules lift, and the service you received from your authorized Pride provider.

Please notify us of any change of address so we can keep you apprised of important information regarding safety, new products, and new options that can increase your ability to use and enjoy your Pride Hercules lift. Please feel free to write us at the address below:

Pride Mobility Products Corporation
Attn: Technical Service Department
182 Susquehanna Avenue
Exeter, PA 18643-2694

1-800-800-8586

I. INTRODUCTION

Pride Owners Club

As a Pride product owner, you are invited to register your product's warranty and enroll in the Pride Owners Club. You may do so by filling out and returning your enclosed registration card or by visiting Pride's web site at www.pridemobility.com. As a registered member, each time you visit our site you will have access to the most interactive and honest educational venue available today for people with mobility needs, their families, and friends.

From our home page, click on the button that reads "Owners Club" to enter a page dedicated to current and potential Pride product owners. You will gain access to interviews, stories, recreation ideas, daily living tips, product and funding information, and interactive message boards. Message boards invite you to speak with other Pride customers as well as Pride representatives who are available to assist you with any questions or concerns you may have.

My Authorized Pride Provider Is:

Name: _____

Address: _____

Phone Number: _____

Quick Reference Information:

Hercules lift Model: _____

Serial Number: _____

Purchase Date: _____

NOTE: If you ever lose or misplace your warranty card or this owner's manual, call or write to us and we will be glad to send you a new one immediately.

II. ASSEMBLY & DISASSEMBLY

ASSEMBLY



WARNING! In no way modify your Hercules lift.

No tools are required to assemble the Hercules 3000. See figure 1.

1. Insert the vertical mast into the base.
2. Lower the motor housing onto the vertical mast. Insert the detent pin through the motor housing and the vertical mast holes to adjust the height.
3. Insert the boom arm into the motor housing. Once the boom arm is inserted to the desired depth, and the detent pin holes from the boom arm and motor housing are in line, insert the detent pin. This will keep the arm in position.
4. Slide the belt guide over the belt guide hook at end of the boom arm, with the nylon bushings facing downward.
5. Connect the power harness to the pigtail connector on the motor housing.
6. Operate the lift.

DISASSEMBLY

1. Raise the hook within 2 or 3 inches of the belt guide hook.
2. Disconnect the power harness from the motor housing.
3. Remove the belt guide.
4. Remove the detent pin. Slide the boom arm out of the motor housing.
5. Remove the detent pin and lift the motor housing up and off the vertical mast.
6. Remove the vertical mast.

The lift is now in three easy-to-store pieces.

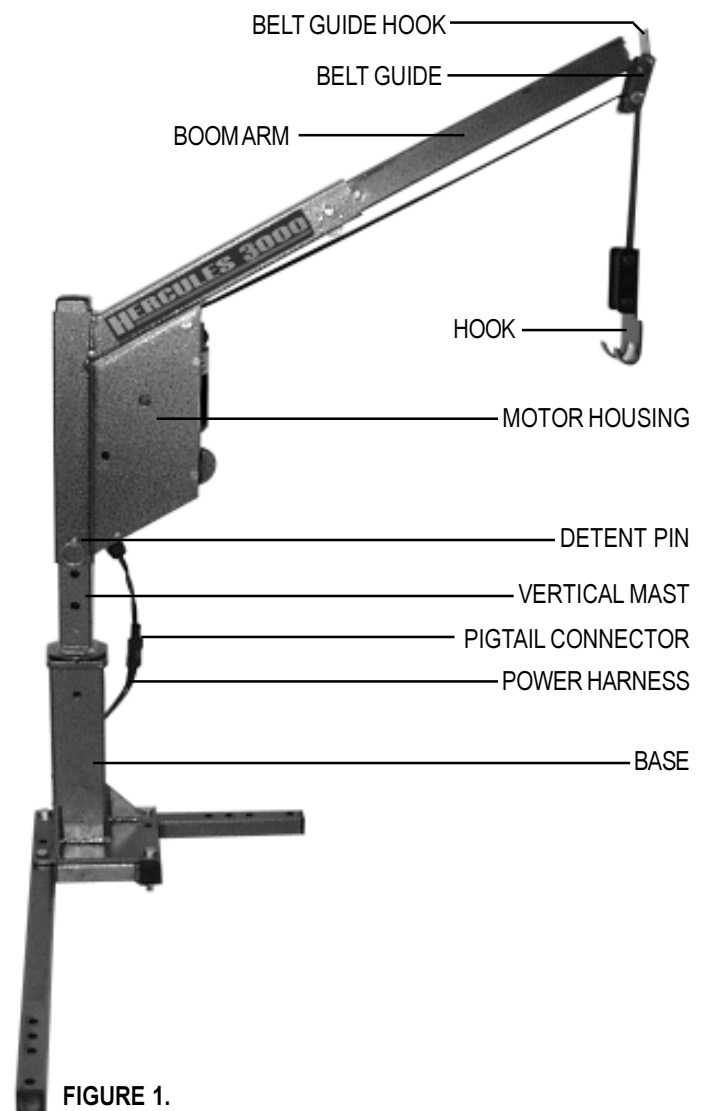


FIGURE 1.

III. INSTALLATION

SUPPLIED HARDWARE

NOTE: Some hardware included in this kit may not be needed for your particular application.

<u>PARTS DESCRIPTION</u>	<u>QUANTITY</u>
POWER CABLE	1
3/8" X 2 1/2" BALL DETENT PIN	2
5/16"-18 X 3" HEX-HEAD BOLTS	8
5/16"-18 X 2" HEX-HEAD BOLTS	6
5/16"-18 X 5/8" HEX-HEAD BOLTS	3
1/4"-20 X 1/2" HEX-HEAD BOLTS	4
5/16"-18 NYLOCK NUTS	11
1/4"-20 NYLOCK NUTS	4
5/16" X 1" FENDER WASHER	11
5/16" FLAT WASHER	11
# 10 HEX HEAD SHEET METAL SCREWS	2
RUBBER GROMMETS	2
PLASTIC TIE-WRAP 6"	6
PLASTIC TIE-WRAP 8"	6

NECESSARY TOOLS

- 3/8" drive electric drill
- 1/8" drill stop
- 1/8" drill bit
- 3/8" drill stop
- 3/8" drill bit
- 3/8" drive ratchet
- 1/2" socket
- 7/16" socket
- 1/2" wrench
- 7/16" wrench
- 1/4" nut driver
- wire crimper
- Silicone sealant or the equivalent.

III. INSTALLATION

The Hercules 3000 has been designed to mount on either side of your vehicle. For this demonstration, we will use a right side trunk installation.

1. Remove any floor covering from the right side of the trunk.
2. Place the L-base in the right rear corner of the trunk. The bottom plate should be in line with the back and side of the trunk. See figure 2.
3. Align the base with the L-base. See figure 3.
4. Insert the vertical mast into base. See figure 4.
5. Slide the motor housing onto the vertical mast. See figure 5.
6. Move this partial assembly into a position in the right rear corner of the trunk that will allow the motor housing to rotate freely.
7. Mark the position of the 6 mounting holes. Then place the partial assembly on its side outside the trunk. See figure 7.

NOTE: There are (4) four holes at each end of the L-base to compensate for the obstructions. Any of the four will be sufficient. The outer most holes are suggested for maximum support.



CAUTION! The unit will be top heavy until mounted securely.

8. Check underneath the trunk floor to ensure that there are no obstructions e.g. exhaust pipes; heat shields; gas tank, etc. that may interfere with the mounting bolts.
9. Using a 1/8" drill bit, (a short drill bit or use of a drill stop is recommended to reduce the risk of damage to undercarriage) drill through the center mark for the front left mounting hole.

NOTE: Double-check under the trunk floor for sufficient clearance.

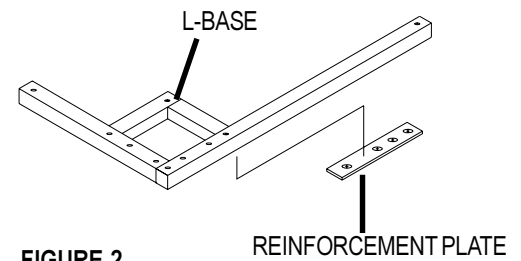


FIGURE 2.

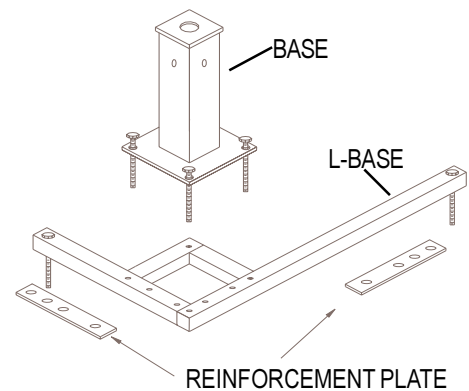


FIGURE 3.

III. INSTALLATION

10. Drill the six mounting holes to 3/8", from inside the trunk.
11. Replace the floor covering and cut out the six mounting holes.
12. Reinstall the assembly and align the mounting holes. Insert six 5/16" X 2" bolts. If necessary, replace the 2" bolts with the 3" bolts provided. See figure 3.

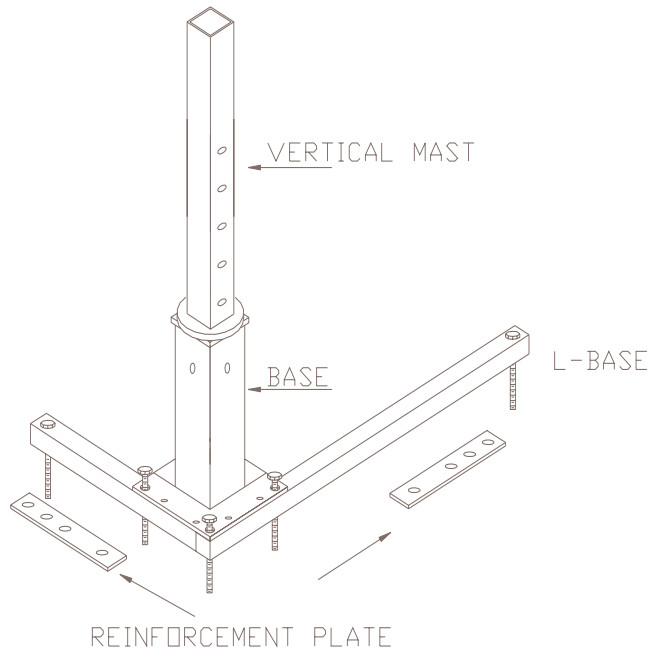


FIGURE 4.

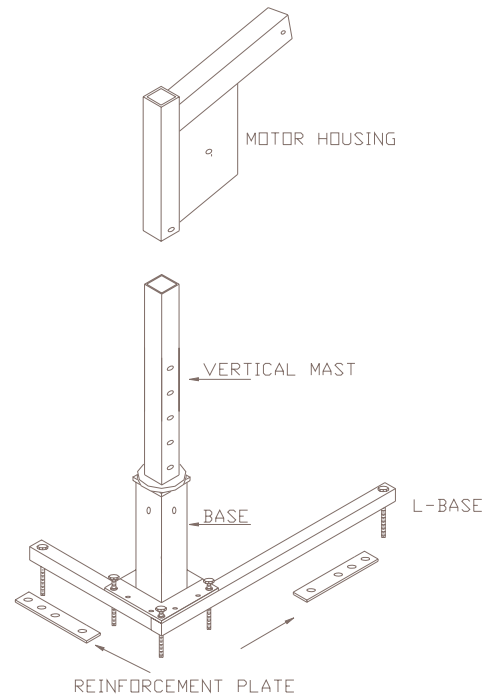


FIGURE 5.

NOTE: The reinforcement plate has four holes, any of which can be used. The plate can be mounted in any direction to conform to the undercarriage.

13. Working from beneath the trunk, install the reinforcement plates and the lock nuts.
14. Using a 5/16" X 3/4" bolt and nut, attach one end of either vertical support to the top hole in the mounting post, in line with the L-base. See figure 6.
15. A suggested anchor point for the front support will be an existing hole in the wheel-well. Use the appropriate length angles to reach this point. Hold the two angles together while adjusting the length. Insert a 1/4"-20 X 1/2" grade 5 bolt and nut into each side of the angle support and one into the anchor point. Keeping the bolts loose during this step will make aligning the holes much easier. The tabs can be bent to conform to the necessary angle.

III. INSTALLATION

POSITIONING VERTICAL SUPPORTS

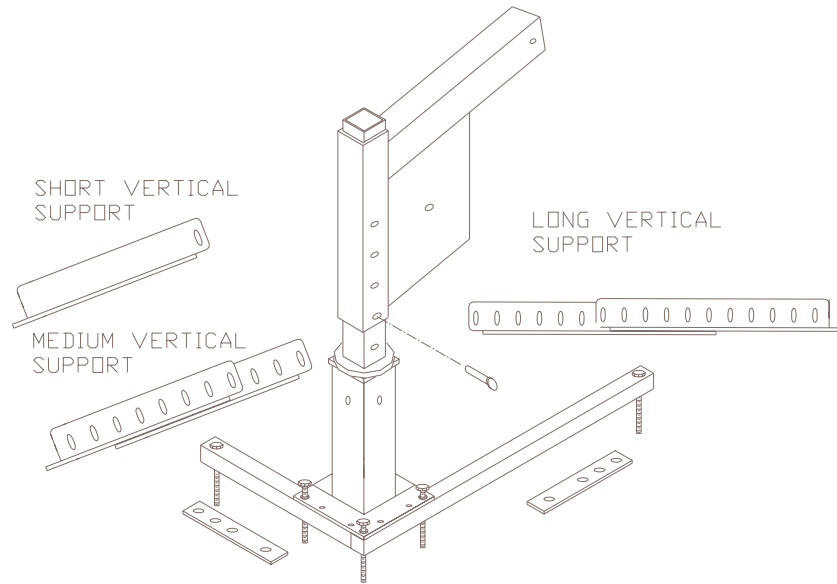


FIGURE 6.

There are two different length supports that are interchangeable in order to adapt to various anchor points. A third (medium) size support has been designed to fit from the base to the short side of the L-base. See figure 6.

To maximize support of the lift, these angles should be mounted to additional points of the trunk area, or they can be mounted directly to the L-base. See figures 7 and 8. Due to the compression of your carpet or floor covering, the mounting hardware should be checked for the tightness after the first use and again periodically. The application shown in illustration 7 is the recommended position.

III. INSTALLATION

TRUNK INSTALLATION

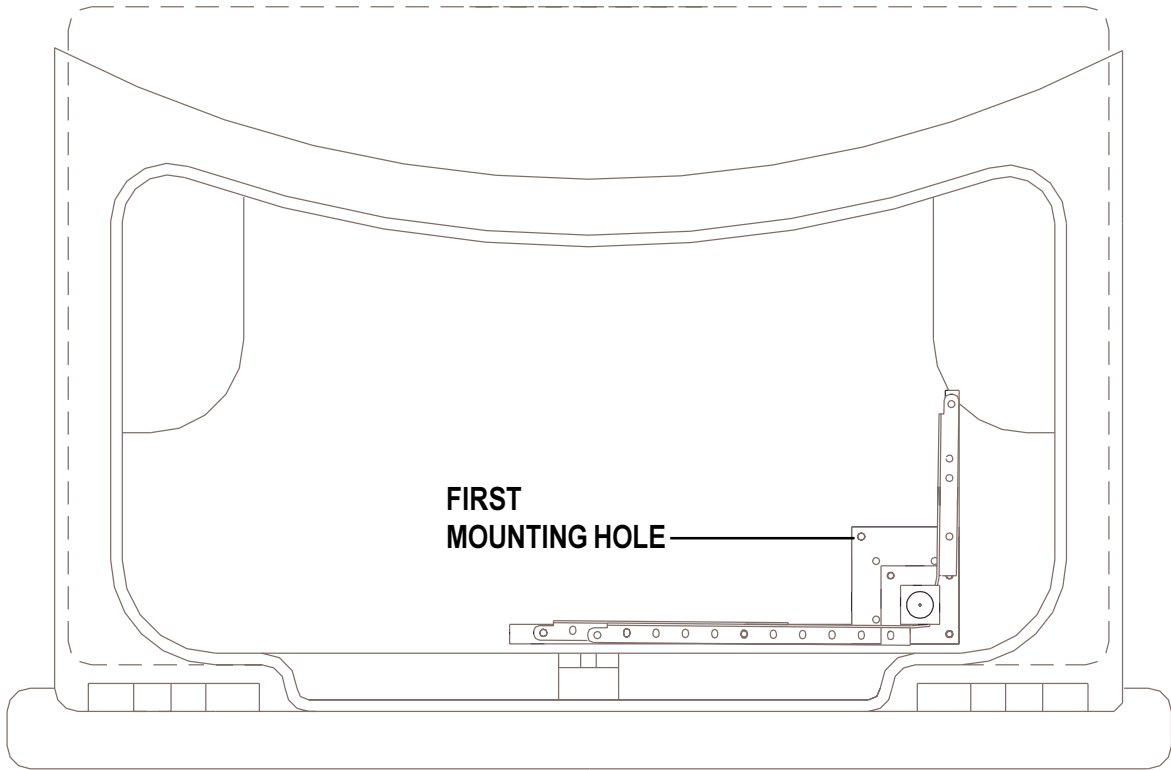


FIGURE 7.

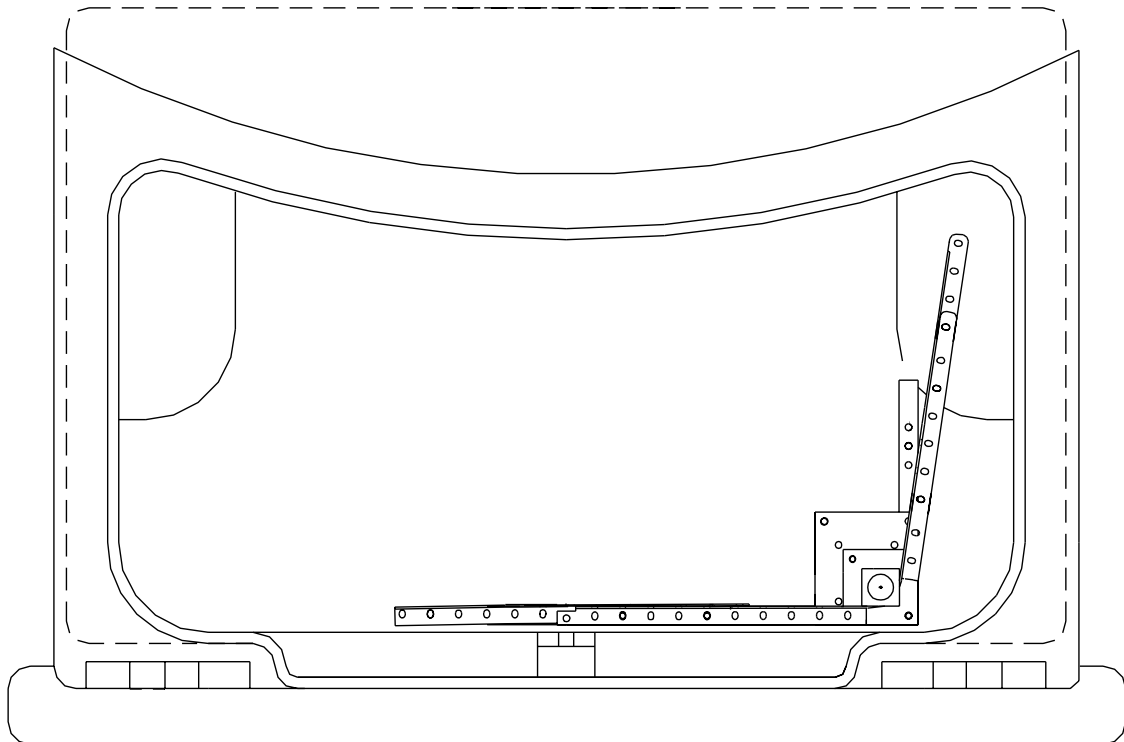


FIGURE 8.

III. INSTALLATION

VAN INSTALLATION

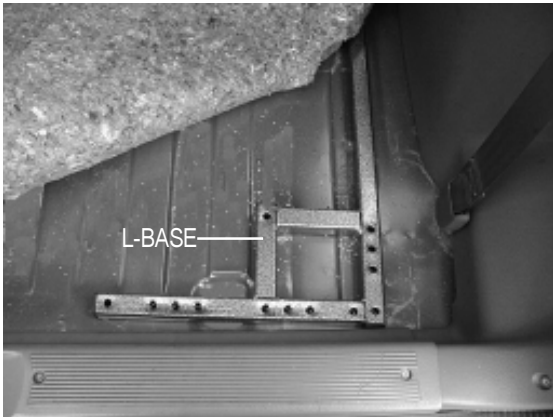


FIGURE 9.

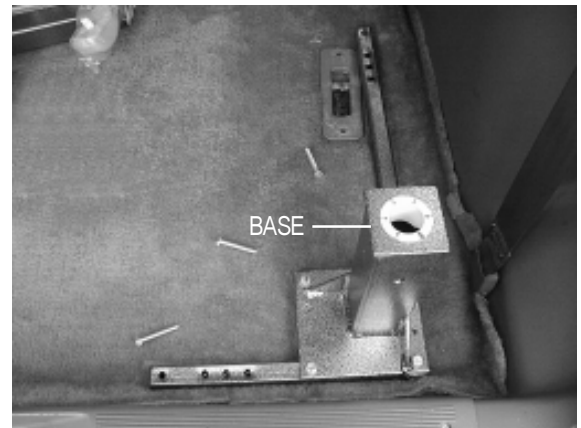


FIGURE 10.



FIGURE 11.



FIGURE 12.

When installing the HERCULES 3000 in a van, a few important points should be followed:

- Position the lift as close to the rear as possible. See figure 9.
- Before bolting the L-base into place, be sure the base is properly positioned. See figure 10
- Before drilling the mounting holes, check to make sure that the door can close without interfering with the lift.
- Keeping the lift close to the rear will allow the boom-arm to stay as short as possible and this will allow the lift to swing into the vehicle without contacting the far side of the van. See figures 11 and 12.
- If you choose to keep your lift assembled between applications you must attach the lift hook to a point either on the lift or in your vehicle that will ensure that the boom arm will not swing freely.

III. INSTALLATION

After initial installation, the Hercules 3000 can be setup for easy positioning of your individual vehicle Scooter and/or Jazzy application.

The 3/8" detent pins (item# 6) can be positioned in the vertical mast and in the boom arm to act as positioning stop points. This simple process will eliminate the need to adjust the length and height of your lift before every use. The height of the lift is adjusted by raising the motor housing. Maintain this position by inserting the detent pin through the motor housing (item# 9) and the vertical mast (item# 10), or just the vertical mast. The reach of the lift is adjusted by extending the boom arm (item# 5). Maintain this position by inserting the detent pin through the motor housing and the boom arm, or just the boom arm. Both the height and the reach of the lift should be kept to their minimum requirements. See Figure13.

NOTE: The periodic use of silicon lubricant, or equivalent, on the inside of the rollers (items 2 and 7) is recommended.

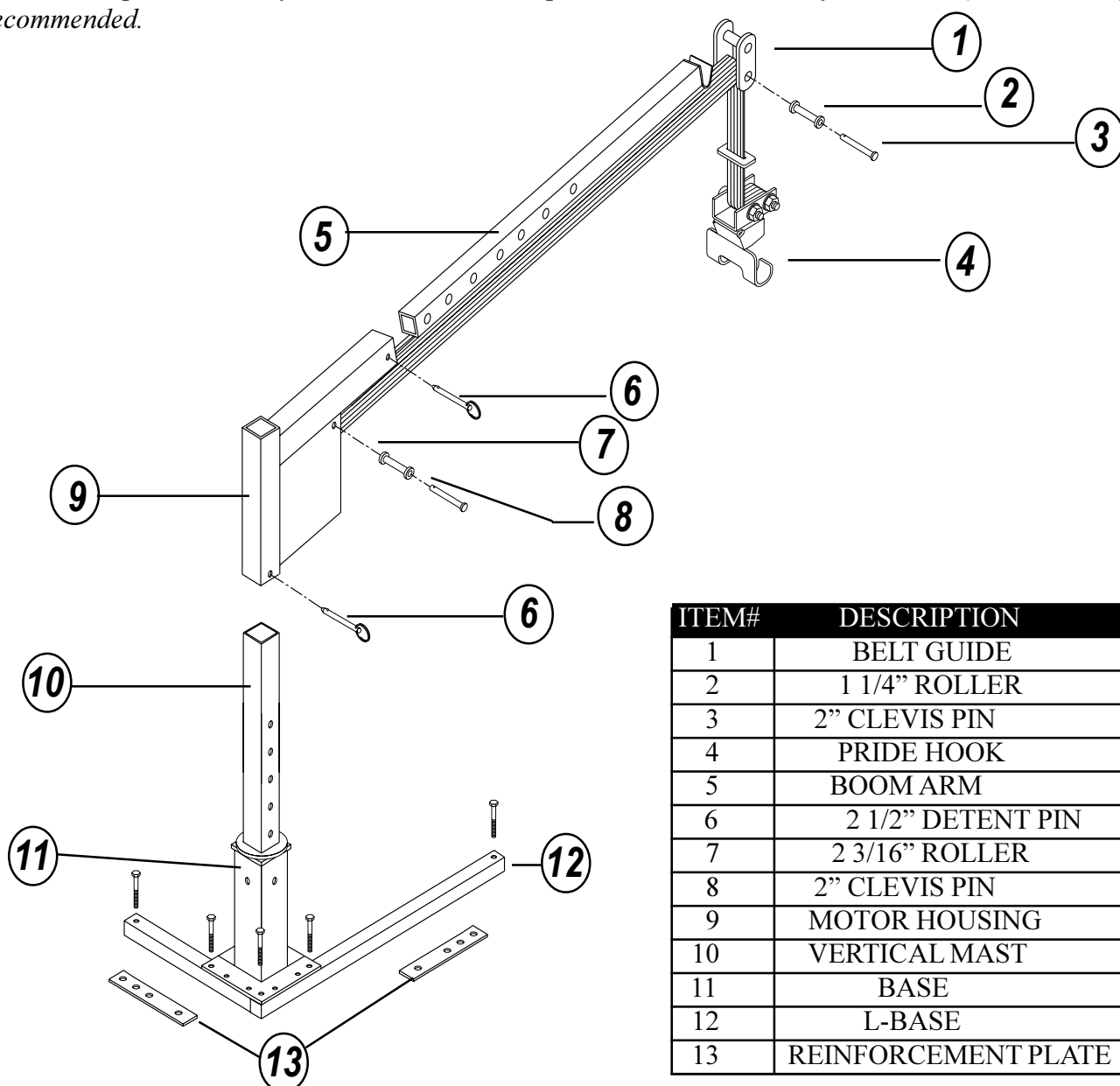


FIGURE 13

III. INSTALLATION

If you encounter any problems when lifting or lowering your Jazzy or Scooter, check the polarity of the lift by verifying that the belt is running over the top of the pulley when the lift is operated in the up direction. See figures 14 and 14A.

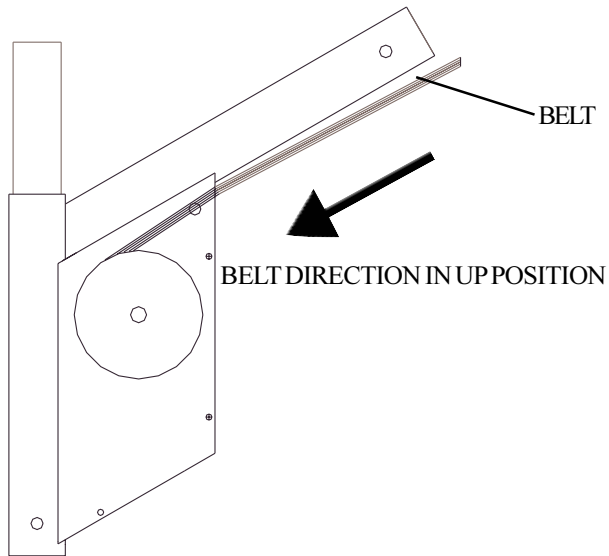


FIGURE 14

CORRECT

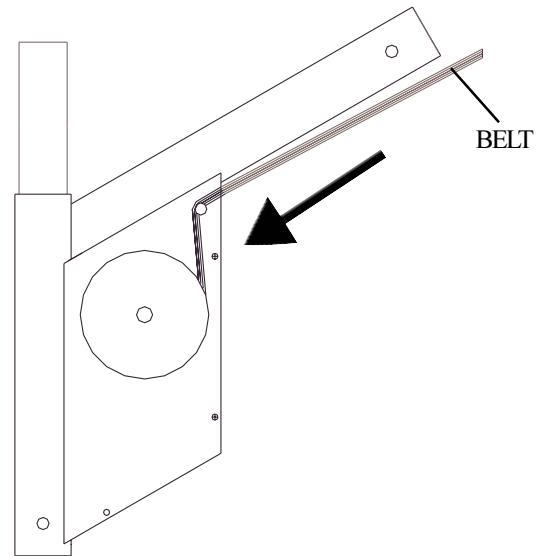


FIGURE 14A.

INCORRECT

If the lift operates in the reverse direction of the switch, i.e. switch in the up direction, belt travels down:

- Pull slightly on the belt and operate the lift until the belt is extended completely.
- Place the switch in the up direction, do not allow any twists in the belt.
- Observe the travel of the belt on the pulley.

III. INSTALLATION

ELECTRICAL

The power wire is fitted with a 30 AMP in-line fuse to provide protection in case of an accidental overload. If the fuse does become overloaded and blow out, the cause should be determined and corrected before the fuse is replaced.

1. Starting at the lift allow 3-4 inches of the power cable to remain free to allow the lift to pivot. Secure the power cable to the lift base with a plastic wire tie (provided).
2. Route the red wire through the interior of the vehicle. Conceal wire behind or under the body panels. (There should be existing holes. Be certain that the wire is protected with a rubber grommet when passing through the metal panels). Inside the engine compartment the wire should be secured to the firewall and the inner fender with the plastic wire ties. Use care not to crimp power wire. It is important to secure the power wire at various points along it's run.
3. Once the wire has reached the vehicle's battery, trim the excess wire. Strip 1/4" of the insulation from the power cable. Insert and crimp to the fused end of the power cable.
4. Connect the ring terminal of the power cable to the positive terminal of the battery.
5. Connect the short black wire (ground) to a clean metal area of the trunk using the #10 sheet metal screw provided.
6. Insert power harness to lift plug.

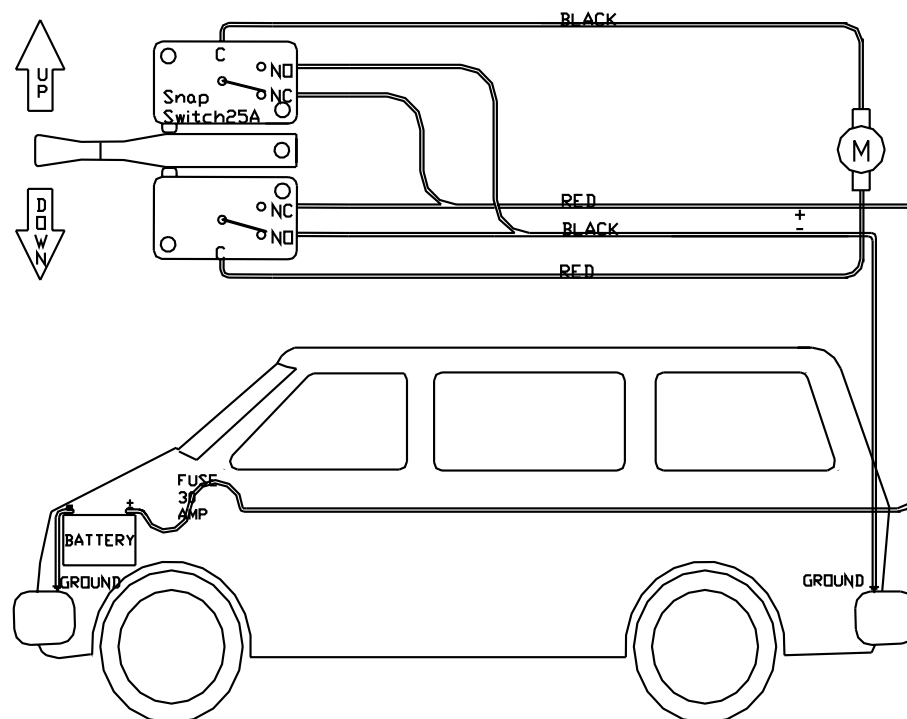


FIGURE 15.

IV. SCOOTER DOCKING DEVICES



WARNING! Do not modify a scooter docking device or omit any piece required to assemble a scooter docking device. Doing so can cause the device to fail, damaging your scooter, with the possibility of personal injury to the lift operator.

For your Hercules to lift properly you will need a Scooter-specific docking device. This is sold separately and can be acquired through a Pride provider. Each Pride Scooter has its own docking device.

NOTE: Though the collar or pick-up bar for your Scooter may slightly differ from the one shown in the following pictures, the installation will be the same.

COLLAR AND PICK-UP BAR

The collar and pick-up bar docking device is for lifting your Scooter with the seat removed. See figure 17.

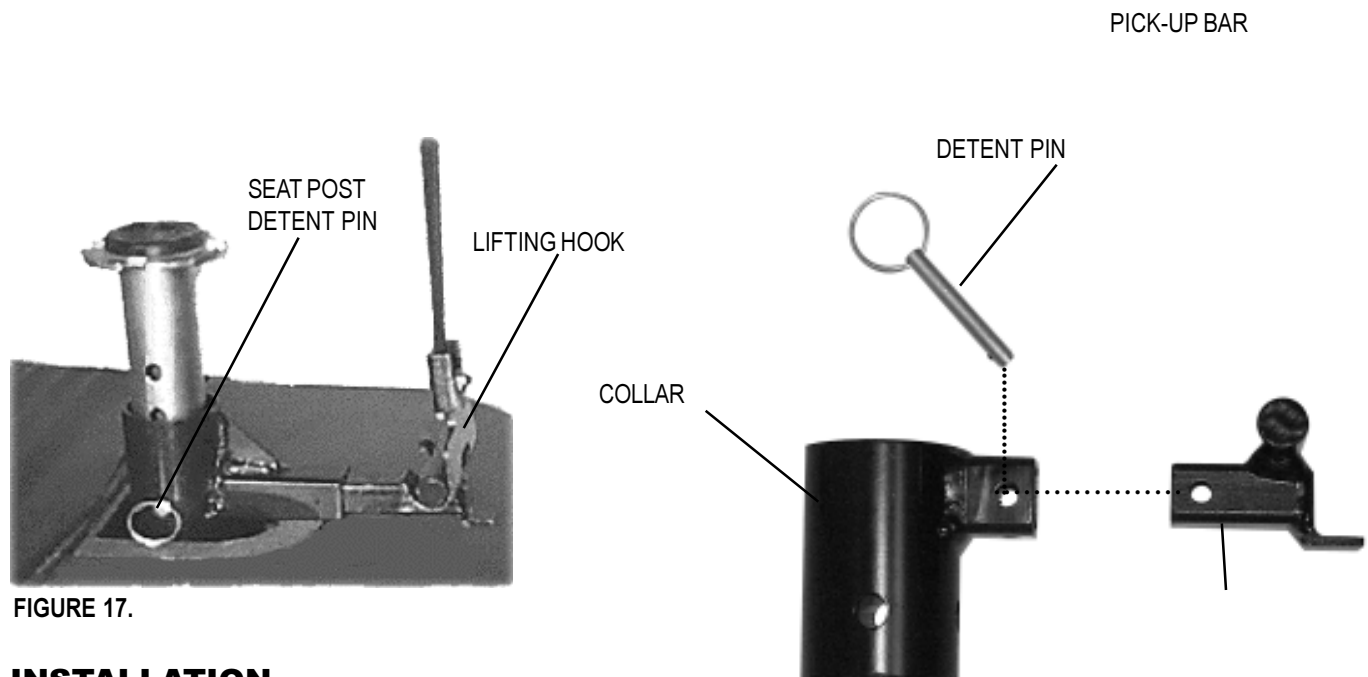


FIGURE 17.

FIGURE 17A.

INSTALLATION

Use figure 17A to position parts correctly.

1. Remove the Scooter seat.
2. Remove the upper seat post.
3. Slide the collar over the lower seat post. (Face the pick-up bar receiving end forward.)
4. Reinstall the upper seat post.
5. Insert the seat post detent pin through the collar and seat post holes.
6. Insert the pick-up bar into the collar. Align the holes from the collar and the pick-up bar then insert the detent pin.

NOTE: There are no pre-lifting adjustments for this docking device. Once the collar and the lifting hook are installed, the Scooter is ready to be lifted.

IV. SCOOTER DOCKING DEVICES

C-ARM

The C-Arm docking device allows you to lift your Scooter with the seat in place. See figure 16.

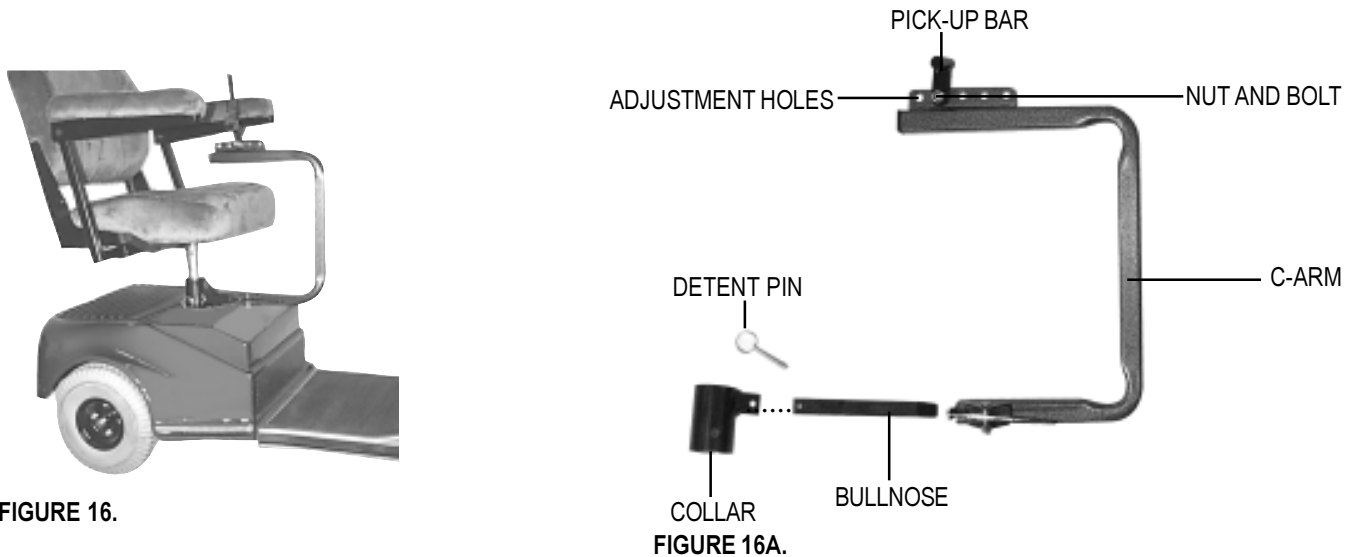


FIGURE 16.

FIGURE 16A.

INSTALLATION

Use figure 16A. to position the parts of the c-arm correctly.

1. Remove the Scooter seat.
2. Remove the seat height adjustment post.
3. Slide the collar over the lower seat post. Face the collar forward. Leaving the collar installed after the initial installation will eliminate the need to remove the seat in the future.
4. Reinstall the seat height adjustment post.
5. Insert the seat post detent pin through the collar and seat post holes.
6. Insert the square end of the bullnose into the collar, with the notched end facing the right side of the Scooter. Then insert the detent pin through the collar and bullnose holes.
7. Slide the C-Arm over the bullnose until it clicks into place.

ADJUSTMENTS

If when lifting the Scooter it begins to tilt to one side, lower the Scooter completely and move the pick-up bar in the direction of the tilt.

1. Remove the nut and bolt at the base of the pick-up bar.
2. Align the hole in the pick-up bar with another adjustment hole.
3. Replace the bolt and tighten the nut.
4. Try lifting your Scooter again.

If your Scooter still tilts heavily to one side when attempting to lift it, repeat the above process.

IV. SCOOTER DOCKING DEVICES

UNIVERSAL SEAT POST DOCKING DEVICE

NOTE: The C-arm can also be used with this device, simply by inserting a bullnose instead of the pick-up bar. See figure 18.

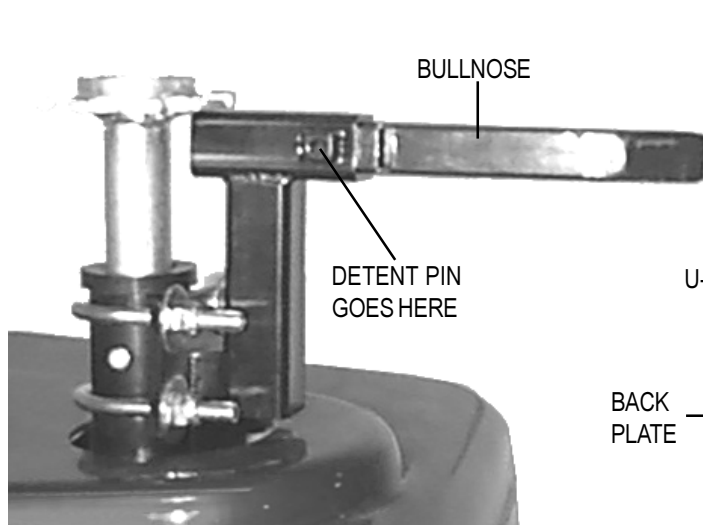


FIGURE 18.

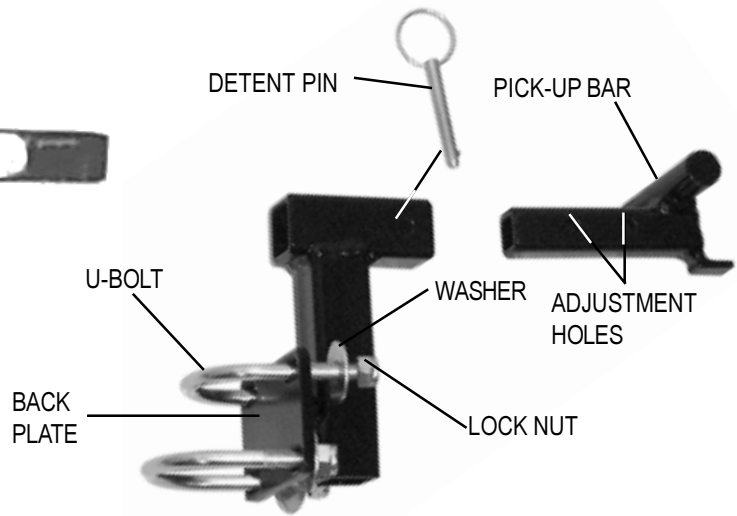


FIGURE 18A.

INSTALLATION

NOTE: When using this docking device, install it as low as possible on the lower seat post.

To assemble parts correctly us figure 18A.

1. Remove the seat from your Scooter.
2. Place the back plate of the docking device against the front of the seat post. See figure 18.
3. Place a U-bolt around the lower seat post and through the upper holes in the back plate. Finger tighten the lock nuts on the U-bolt. See figure 18A.
4. Repeat step 3 for the lower holes of the back plate.



CAUTION! Before fully tightening the lock nuts on the U-bolts, make sure the docking device is facing straight ahead.

5. Fully tighten all (4) four lock nuts.

ADJUSTMENTS

If when lifting the Scooter it begins to tilt to one side, lower the Scooter completely and move the pick-up bar in the direction of the tilt.

1. Remove the detent pin from the pick-up bar.
2. Slide the pick-up bar in or out until the other hole located on it is in line with the hole on the docking device.
3. Replace the detent pin.
4. Try lifting your Scooter again.

If your Scooter still tilts heavily to one side when attempting to lift it, repeat the above process.

IV. SCOOTER DOCKING DEVICES

UNIVERSAL POWER SEAT DOCKING DEVICE

Use figure 19 for the correct assembly of the docking device.

NOTE: The C-arm can also be used with this device, simply by inserting a bullnose in place of the pick-up-bar.

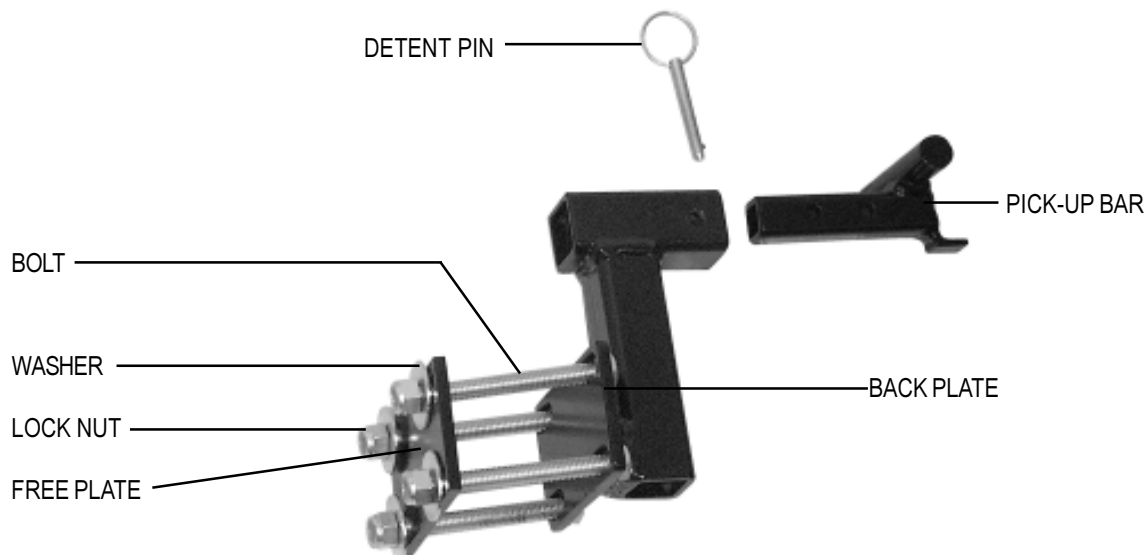


FIGURE 19.

INSTALLATION

NOTE: When using this docking device, install it as low as possible on the power seat post.

1. Remove the seat from your Scooter.
2. Place the back plate of the docking device against the front of the power seat post. See figure 19.
3. Place the free plate against the opposite side of the power seat post. See figure 19.

NOTE: Both the docking device and the free plate will have to be held in place against the power seat post with one hand, while inserting the bolts through the plate holes with the other hand.

4. Insert a bolt (starting from the back plate) through any two adjoining holes of the plates. Install a washer, then finger tighten a lock nut to the bolt.
5. Repeat step 4 for the remaining three holes.
6. Fully tighten all four lock nuts.

ADJUSTMENTS

If when lifting the Scooter it begins to tilt to one side, lower the Scooter completely and move the pick-up bar in the direction of the tilt.

1. Remove the detent pin from the pick-up bar.
2. Slide the pick-up bar in or out until the other hole located on it is in line with the hole on the docking device.
3. Replace the detent pin.
4. Try lifting your Scooter again.

If your Scooter still tilts heavily to one side when attempting to lift it, repeat the above process.

IV. SCOOTER DOCKING DEVICES

QUICK DISCONNECT DOCKING DEVICE

INSTALLATION

Figure 20 shows the quick disconnect docking device mounted on a Scooter.

1. Remove the seat from your Scooter.
2. Insert the lower part of the quick disconnect attachment into the seat post. Face the attachment forward and slightly to one side, left or right.
3. Push down on the docking device (making sure the J-hook descends through a notch in the clover leaf) and turn it toward the front until the spring set-pin snaps into place (through a notch in the clover leaf). See figure 20A.

NOTE: Make sure the J-hook is located under the clover leaf before attempting to lift the Scooter.

TO REMOVE THE QUICK DISCONNECT:

1. Pull up on the spring set pin knob. See figure 20A.
2. Spin the docking device to the left or right until the J-hook is able to be pulled up through a void in the clover leaf.

ADJUSTMENTS

If when lifting the Scooter it begins to tilt to one side, lower the Scooter completely and move the pick-up bar in the direction of the tilt.

1. Remove the nut and bolt at the base of the pick-up bar.
2. Align the hole in the pick-up bar with another adjustment hole.
3. Replace the bolt and tighten the nut.
4. Try lifting your Scooter again.

If your Scooter still tilts heavily to one side when attempting to lift it, repeat the above process.

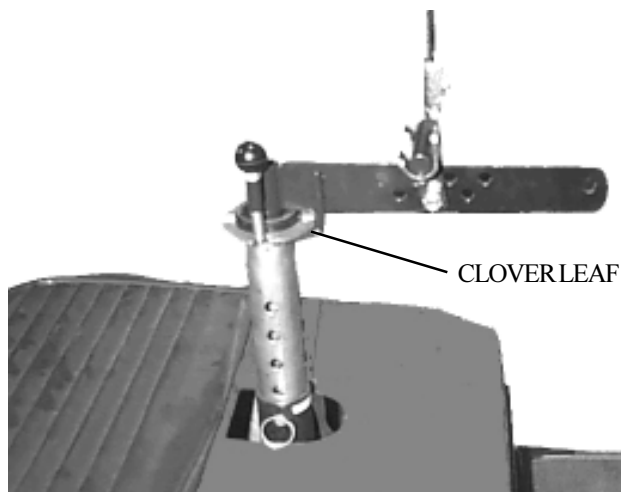


FIGURE 20.

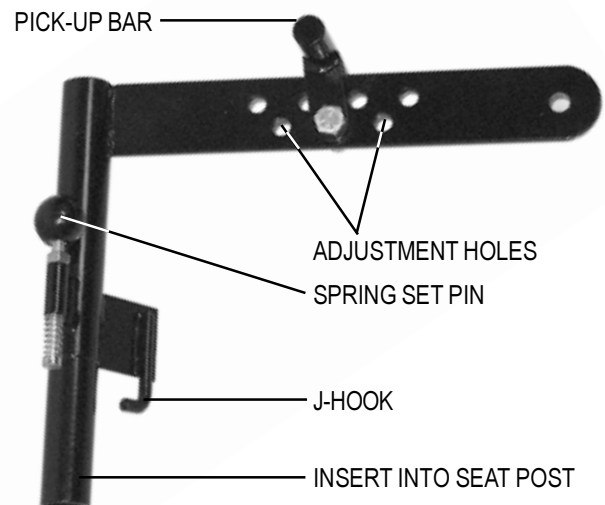


FIGURE 20A.

IV. SCOOTER DOCKING DEVICES

PNEUMATIC SEAT POST DOCKING DEVICE

Figure 21 shows the pneumatic seat post docking device mounted on a Scooter.

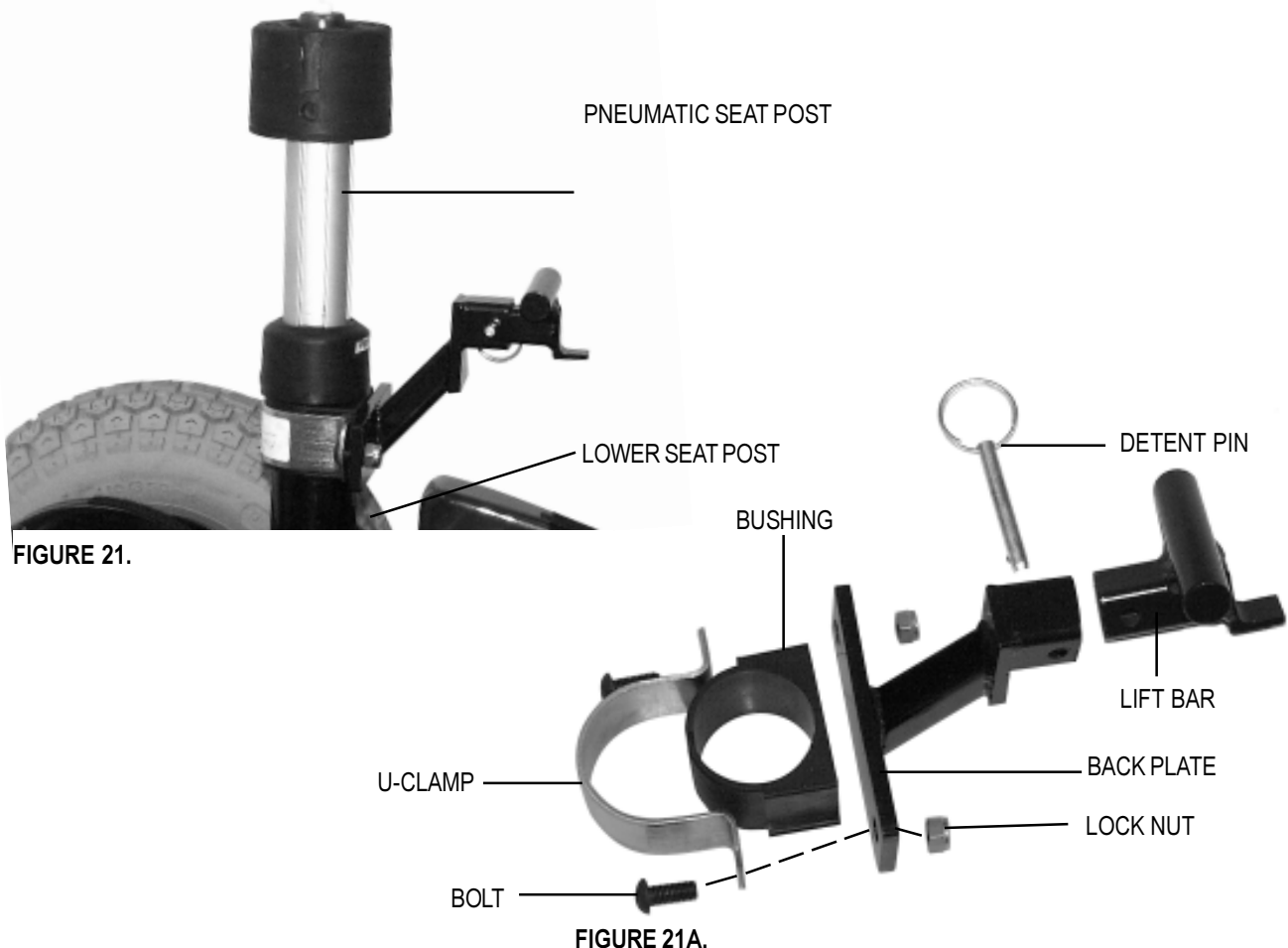
NOTE: To install this docking device, the removal of the rear shroud is necessary.

TO INSTALL THE PNEUMATIC SEAT POST DOCKING DEVICE

1. Remove the seat.
2. Remove the rear shroud
2. Place the plastic bushing around the seat post with the slit end facing the rear. See figure 21A.
3. Press the back plate of the docking device against the back of the bushing.
4. Slide the U-clamp around the seat post so that the holes from it line up with the back plate holes.
5. Insert a bolt into each hole, connecting the U-clamp to the back plate.

NOTE: Inserting the bolts from the U-clamp side will make it easier to tighten the lock nuts. See figure 21A.

6. Tighten a lock nut on each bolt. Be sure the lock nuts are securely tightened before lifting your Scooter.



V. JAZZY DOCKING DEVICES



WARNING! Do not modify a Jazzy docking device, or omit any piece required to assemble a Jazzy docking device. Doing so can cause the docking device to fail, damaging your Jazzy, with the possibility of personal injury to the lift operator.

JAZZY STANDARD, JAZZY STANDARD EXTENDED

NOTE: The Jazzy Standard Extended is needed when the Hercules needs to lift a special wide measurement seat. The Jazzy Extended installs the same way as the Jazzy Standard.

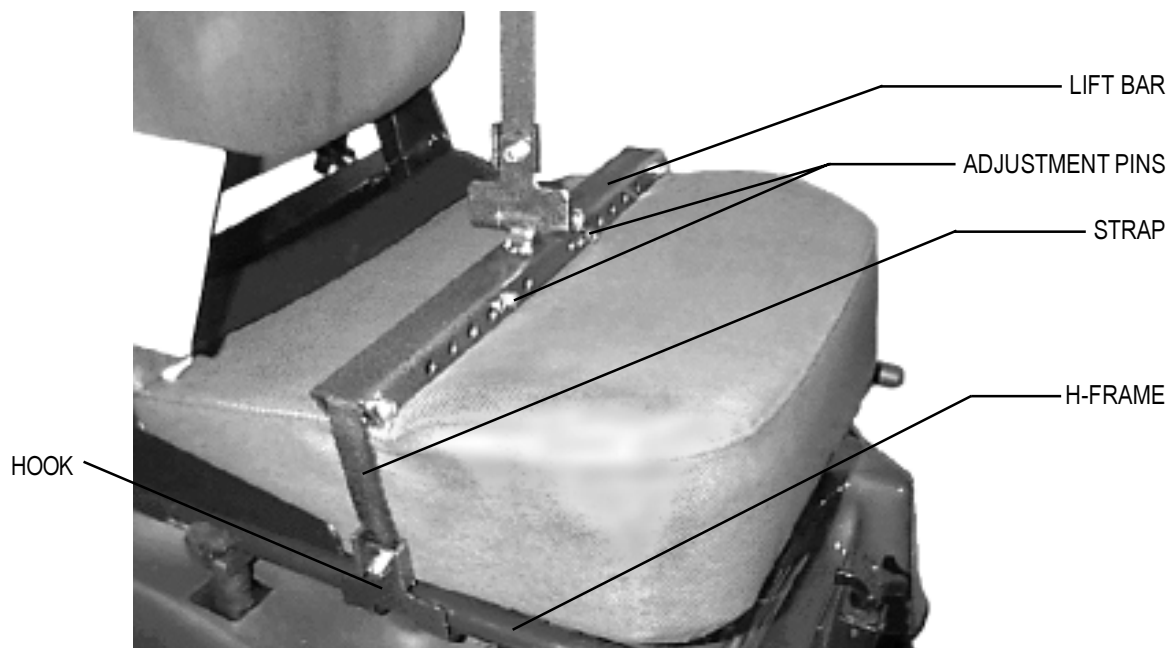


FIGURE 22

INSTALLATION

1. Place the lift bar across the top of the seat with the straps hanging over the sides. See figure 22.

NOTE: Work on one side at a time when connecting the Jazzy Standard hook to the H-frame.

2. Place the hook on the tubular frame.
3. Remove the safety clip and adjustment pin, push the excess strap into the bar. Observe which hole the strap has reached.
4. Reinsert the adjustment pin and safety clip into the hole that the strap has reached.
5. Repeat steps 2 through 4 on the opposite strap. Be sure that the pins are positioned evenly.

ADJUSTMENTS

If the unit being lifted tilts forward or backward, lower it completely and move the hooks gradually in the direction of the tilt. Once the proper balance point has been found, mark the position of the hook by placing one plastic tie wrap or etching a small mark on the H-frame, at the center of the hook.

V. JAZZY DOCKING DEVICES

H-FRAME ATTACHMENT

The H-frame attachment is used to lift a Jazzy with the H-frame seat removed.

INSTALLATION

1. Remove the seat from your Jazzy.
2. Install the H-frame attachment. See figure 23.

Note: The H-frame attachment installs in the same manor as the H-frame seat.

The attachment comes with the lift bar permanently mounted to the H-frame.

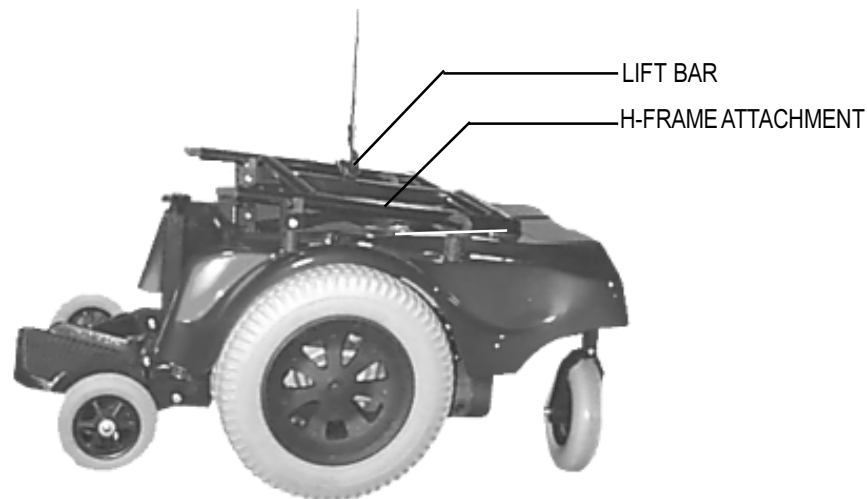


FIGURE 23.

V. JAZZY DOCKING DEVICES

JAZZY POWER SEAT

INSTALLATION

1. Remove the seat from the Jazzy
2. Install the four seat towers into their respective holes. Use the lowest height setting. See figure 24.
3. Install the side rails into the seat towers with the release buttons facing forward. See figure 25.
4. Replace the seat.

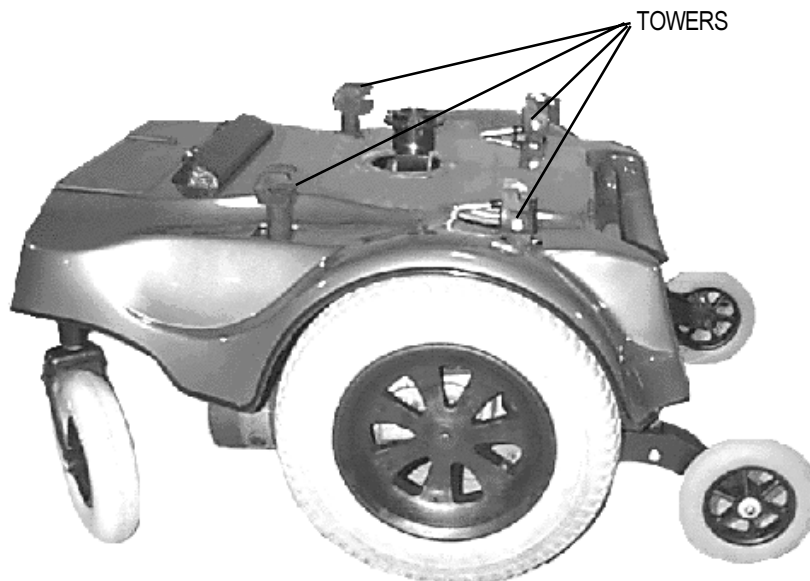


FIGURE 24.

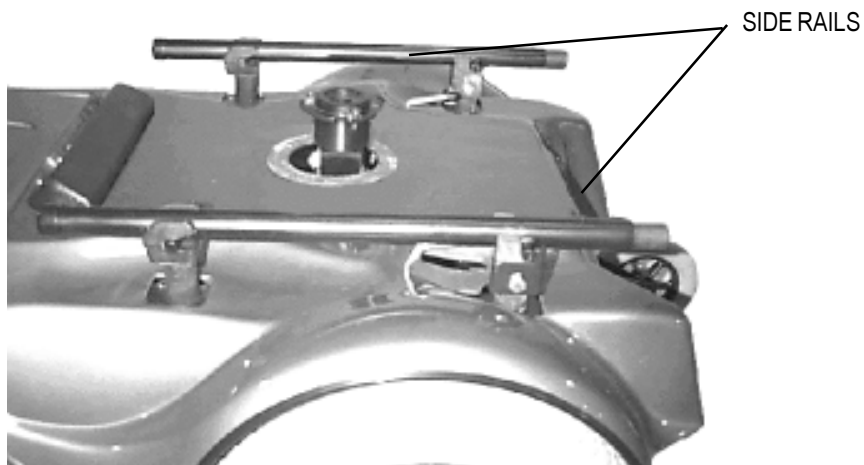


FIGURE 25.

V. JAZZY DOCKING DEVICES

ADJUSTMENT

To show the completed installation more clearly, the attachment is shown without the seat. See figure 26.

NOTE: When making adjustments work on one side at a time.

1. Place the bar across the top of the seat with the straps hanging over the sides. See figure 27.
2. Place the hook onto the tubular frame.
3. Remove the adjustment pin. Push the excess strap into the bar. Observe which hole the strap has reached.
4. Reinsert the adjustment pin into the hole that the strap has reached.
5. Repeat steps 2 through 4 on the opposite strap. Be sure that the pins are positioned evenly.

The Jazzy Standard attachment should be adjusted for a snug fit against the seat. This will help hold the bar in place and give you hands-free operation.

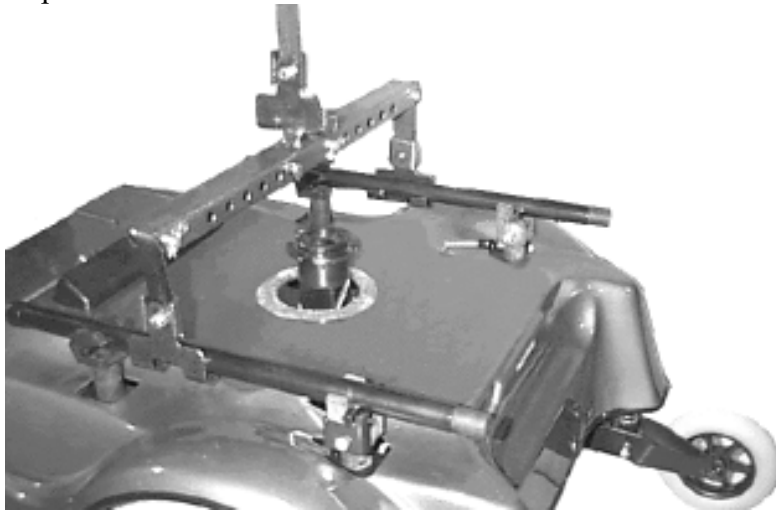


FIGURE 26.

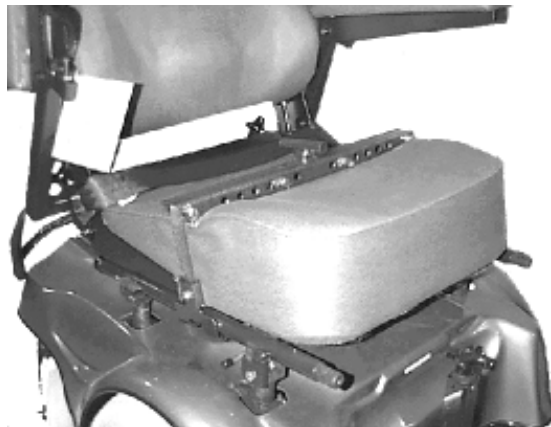


FIGURE 27.

VI. OPERATION

LIFTING THE SCOOTER OR JAZZY



FIGURE 28.



FIGURE 29.



WARNING! Before operating the Hercules for the first time, be absolutely sure you have the proper docking device for your Scooter or Jazzy.

1. Place your Scooter or Jazzy on the ground behind the lift. Be sure that there is ample space between the Scooter/Jazzy and the bumper to ensure that the Scooter/Jazzy will not hit your vehicle while being raised
2. Swing the boom arm over the Scooter/Jazzy.
3. Operate the lift in the down direction until the hook reaches the pick-up bar.



WARNING! Inspect the lifting strap of the Hercules 3000 before each use for fraying and signs of wear.

4. The lift strap should drop straight down from the belt guide to the pick-up bar. If necessary, adjust the position of the boom arm.
5. Place the hook onto the pick-up bar and hold in this position.



WARNING! Always Keep hands clear of the lifting strap while the Hercules is lifting/lowering. The operator of the lift should stand a safe distance away from the Scooter being lifted/lowered to insure that his/her feet are never positioned under a raised Scooter.

6. Operate the lift in the upward direction. See figure 28 and 29.



WARNING! The maximum weight the Hercules 3000 was designed to lift is 275 lbs. Under no circumstances should the Hercules 3000 be made to lift more than 275 lbs. Subjecting the Hercules to the strain of lifting more than it is capable may cause the lift to fail, and damage your Scooter, injure the person operating the lift or both.

VI. OPERATION



WARNING! Adding accessories or a powerseat will increase the weight of your Scooter. Verify with your Pride dealer that the total weight after the additions does not exceed 275 lbs.

7. If the Scooter begins to tilt, lower it completely and move the pick-up bar in the direction of the tilt.
8. Tighten the pick-up bar once the proper balance point has been found.
9. Once the Scooter is raised high enough to fit into the vehicle stop the lift.
10. Swing the arm towards the vehicle. When the Scooter is securely in the vehicle, lower the lift strap until all the wheels are on a solid surface.

Disconnect the hook from the Scooter docking device. Disconnect the power to the Hercules to prevent any accidental movement during the transportation of your Scooter.



WARNING! Your Hercules 3000 was designed to be mounted primarily in a vehicle. Mounting your Hercules on a platform, where the height of the lift may cause the lifting strap to be extend beyond a safe point, can damage the Hercules 3000 lift and injure the operator of the lift.

LIFTING NON PRIDE ITEMS

Pride recognizes that the Hercules 3000 is an extremely versatile device, which users may employ to lift items other than Pride products. Pride has no control over such use, nor can Pride anticipate every possible use to which a Hercules 3000 may be put. Users do so at their own risk when lifting non-Pride items with the Hercules 3000. Do not lift any item weighing in excess of 275 lbs.

VII. ACCESSORIES

REMOTE CONTROL

The remote control offers increased freedom during the operation of the Hercules 3000. See figure30.

The hand wand is secured with a reusable fastener during transportation and between uses.

When being stored in the trunk of a vehicle, the hand wand should be secured to the trunk lid to avoid any tangles or damage.

DURING TRANSPORTATION:

To avoid accidental operation, always disconnect the power cable from the lift when the loading of a Scooter is complete.

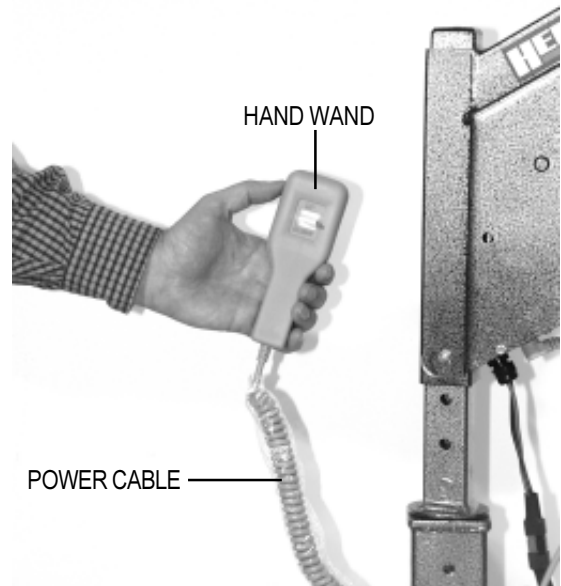


FIGURE 30.

ANGLED BOOM ARM

The angled boom arm provides greater clearance and has been designed for use in station wagons, mini vans, sport utility vehicles and other vehicles which have height limitations. The height and reach adjustments are the same as for the standard boom arm. See figure 31.



FIGURE 31.

VIII. WARRANTY

ONE YEAR LIMITED WARRANTY:

For one year from date of purchase Pride Mobility Products Corporation will repair or replace at our option to the original purchaser, free of charge, any of the following parts found upon examination by an authorized representative of Pride Mobility Products Corporation to be defective in material and/or workmanship:

- Main Frame
- Electronic switch assemblies
- Motor/gearbox assembly

Warranty service can be performed by an authorized dealer or by Pride Mobility Products Corporation. Do not return faulty parts to Pride Mobility Products Corporation without prior consent. All transportation costs and shipping damage incurred while submitting parts for repair or replacement are the responsibility of the original purchaser.

WARRANTY EXCLUSIONS:

Damage caused by:

- Abuse, misuse, accident or negligence.
- Improper operation, installation, maintenance or storage.
- Commercial use or other than intended use.
- Repairs and/or modifications made to any part without specific consent from Pride Mobility Products Corporation.
- Circumstances beyond the control of Pride.

Labor, service calls, shipping and other charges incurred for repair of the product unless specifically authorized by Pride.

There is no other express warranty.

Implied warranties, including those of merchantability and fitness for a particular purpose, are limited to one year from the date of purchase and to the extent permitted by law. Any and All implied warranties are excluded. This is the exclusive remedy. Liabilities for consequential damages under all warranties are excluded. Some states do not allow limitations on how long an implied warranty lasts or do not allow the exclusion of limitation of incidental or consequential damages, so the above limitation or exclusion may not apply to you. This warranty gives you specific rights and you may also have other rights, which vary, from state to state.

Please fill out and return the warranty card to Pride. This will aid Pride in providing the best possible Technical and Customer service.