

# Celebrity

Owner's Manual



*The Ultimate In Style & Performance<sup>®</sup>*

**Pride**  
Mobility Products Corp.

*Exeter, PA  
St. Catharines, ON*

*1-800-800-8586*

*[www.pridemobility.com](http://www.pridemobility.com)*

# SAFETY GUIDELINES

Please read and follow all instructions in this owner's manual before attempting to operate your scooter for the first time. If there is anything in this manual you do not understand, or if you require additional assistance for set-up, contact your authorized Pride Provider.

Using your Pride product safely depends upon your diligence in following the warnings, cautions, and instructions in this owner's manual. Using your Pride product safely also depends upon your own good judgement and/or common sense, as well as that of your provider, caregiver, and/or healthcare professional. Pride is not responsible for injuries and/or damage resulting from any person's failure to follow the warnings, cautions, and instructions in this owner's manual. Pride is not responsible for injuries and/or damage resulting from any person's failure to exercise good judgement and/or common sense.

The symbols below are used throughout this owner's manual to identify warnings and cautions. It is very important for you to read and understand them completely.



**WARNING!** Failure to heed the warnings in this owner's manual may result in personal injury.



**CAUTION!** Failure to heed the cautions in this owner's manual may result in damage to your scooter.

# CONTENTS

<b>I. INTRODUCTION</b> .....	4
<b>II. SAFETY</b> .....	6
<b>III. EMI/RFI</b> .....	15
<b>IV. SPECIFICATIONS</b> .....	17
<b>V. YOUR CELEBRITY</b> .....	19
<b>VI. BATTERIES AND CHARGING</b> .....	24
<b>VII. OPERATION</b> .....	28
<b>VIII. COMFORT ADJUSTMENTS</b> .....	30
<b>IX. DISASSEMBLY AND ASSEMBLY</b> .....	33
<b>X. OPTIONAL ACCESSORIES</b> .....	36
<b>XI. BASIC TROUBLESHOOTING</b> .....	37
<b>XII. CARE AND MAINTENANCE</b> .....	39
<b>XIII. WARRANTY</b> .....	41



CELEBRITY 3 WHEEL



CELEBRITY 4 WHEEL

# I. INTRODUCTION

Welcome to Pride Mobility Products Corporation (Pride). Congratulations on the purchase of your new Pride Scooter. Your scooter design combines the most advanced state-of-the-art components with modern, attractive styling. We are certain that the design features and trouble-free operation will add convenience to your daily living and ensure complete satisfaction.

At Pride, your safety is important to us. **Please read and follow all of the instructions in this manual before you attempt to operate your scooter for the first time.** These instructions were produced for your benefit. Your understanding of these instructions is essential for the safe operation of your new Pride Scooter.

Pride is not liable for damage to property or personal injury arising out of the unsafe use of a Pride Scooter. Pride is also not liable for any property damage or personal injury arising out of the failure of any person and/or user to follow the instructions and recommendations set forth in this manual or any other instructions or recommendations contained in other scooter related literature issued by Pride or contained on the Pride Scooter itself.

This owner's manual is compiled from the latest specifications and product information available at the time of publication. We reserve the right to make changes as they become necessary. Any changes to our products may cause slight variations between the illustrations and explanations in this manual and the product you have purchased.

If you experience any problems with your scooter that you are not able to solve, or if you do not feel capable of safely following any of the instructions and/or recommendations contained in this manual, please contact your authorized Pride Provider for assistance.

Once you understand how to operate and take care of your scooter, we are certain that it will give you years of trouble-free service and enjoyment.

## Information Exchange

We want to hear your questions, comments, and suggestions regarding this manual. We would also like to hear about the safety and reliability of your new Pride Scooter, and the service you received from your authorized Pride Provider.

Please notify us of any change of address so we can keep you apprised of important information regarding safety, new products, and new options that can increase your ability to use and enjoy your Pride Scooter. Please feel free to write us at the address below:

Pride Mobility Products Corporation  
Attn: Customer Care Department  
182 Susquehanna Avenue  
Exeter, PA 18643-2694

customercare@pridemobility.com  
1-800-424-8205

# I. INTRODUCTION

## **Pride Owners Club**

As a Pride product owner, you are invited to register your product's warranty and enroll in the Pride Owners Club. You may do so by filling out and returning your enclosed registration card or by visiting Pride's web site at [www.pridemobility.com](http://www.pridemobility.com). As a registered member, each time you visit our site you will have access to the most interactive and honest educational venue available today for people with mobility needs, their families, and friends.

From our home page, click on the button that reads "Owners Club" to enter a page dedicated to current and potential Pride product owners. You will gain access to interviews, stories, recreation ideas, daily living tips, product and funding information, and interactive message boards. Message boards invite you to speak with other Pride customers as well as Pride representatives who are available to assist you with any questions or concerns you may have.

## **My Authorized Pride Provider Is:**

Name: \_\_\_\_\_

Address: \_\_\_\_\_

Phone Number: \_\_\_\_\_

## **Quick Reference Information:**

Scooter Model: \_\_\_\_\_

Serial Number: \_\_\_\_\_

Purchase Date: \_\_\_\_\_

*NOTE: If you ever lose or misplace your product registration card or this owner's manual, contact us and we will be glad to send you a new one immediately.*

## II. SAFETY

### GENERAL



**WARNING! Do not operate your new scooter for the first time without completely reading and understanding this owner's manual.**

Your Scooter is a state-of-the-art life-enhancement device designed to increase mobility. Pride provides an extensive variety of products to best fit the individual needs of the scooter user. Please be aware that the final selection and purchasing decision regarding the type of scooter to be used is the responsibility of the scooter user who is capable of making such a decision and his/her healthcare professional (i.e., medical doctor, physical therapist, etc.).

The contents of this manual are based on the expectation that a mobility device expert has properly fitted the scooter to the user and has assisted the prescribing healthcare professional and/or the authorized Pride Provider in the instruction process for the use of the product.

There are certain situations, including some medical conditions, where the scooter user will need to practice operating the scooter in the presence of a trained attendant. A trained attendant can be defined as a family member or care professional specially trained in assisting a scooter user in various daily living activities.

As you begin using your scooter during daily activities, you will probably encounter situations in which you will need some practice. Simply take your time and you will soon be in full and confident control as you maneuver through doorways, on and off lifts, up and down ramps, and over moderate terrain.

Below are some precautions, tips, and other safety considerations that will help the user become accustomed to operating the scooter safely.

### MODIFICATIONS

Pride has designed and engineered your scooter to provide maximum mobility and utility. A wide range of accessories is available from your authorized Pride Provider to further customize your scooter to better suit your needs and/or preferences. However, under no circumstances should you modify, add, remove, or disable any feature, part, or function of your scooter.



**WARNING! Do not modify your scooter in any way not authorized by Pride. Unauthorized modifications may result in personal injury and/or damage to your scooter.**

### REMOVABLE PARTS



**WARNING! Do not attempt to lift or move your scooter by any of its removable parts. Personal injury and damage to the scooter may result.**

### ELECTROMAGNETIC FIELDS

Your scooter's road performance features may be influenced by electromagnetic fields caused by cellular telephones or other radiating devices, such as hand-held radios, radio and television stations, wireless computer links, microwave sources, and paging transmitters. Learn more about this topic in III. "EMI-RFI."

# II. SAFETY

## PRE-RIDE SAFETY CHECK

Get to know the feel of your scooter and its capabilities. Pride recommends that you perform a safety check before each use to make sure your scooter operates smoothly and safely. For details on how to perform these necessary inspections, see XII. "Care and Maintenance."

Perform the following inspections prior to using your scooter:

- Check for proper tire inflation (if equipped with pneumatic tires).
- Check all electrical connections. Make sure they are tight and not corroded.
- Check all harness connections (battery, front-to-rear). Make sure they are secured properly.
- Check the brakes.
- Check battery charge.

If you discover a problem, contact your authorized Pride Provider for assistance.

## TIRE INFLATION

If your scooter is equipped with pneumatic tires, you should check or have the air pressure checked at least once a week. Proper inflation pressures will prolong the life of your tires and help ensure the smooth operation of your scooter.



**WARNING! It is critically important that 30-35 psi tire pressure be maintained in pneumatic tires at all times. Do not underinflate or overinflate your tires. Low pressure may result in loss of control, and overinflated tires may burst. Failure to maintain 30-35 psi tire pressure in pneumatic tires at all times may result in tire and/or wheel failure, causing serious personal injury and/or damage to your scooter**

**WARNING! Inflate your scooter drive tires from a regulated air source with an available pressure gauge. Inflating your tires from an unregulated air source could overinflate them, resulting in a burst tire and/or personal injury.**

## WEIGHT LIMITATIONS

Your scooter is rated for a (350-lb.) maximum weight limit.



**WARNING! Exceeding the weight capacity voids your warranty and may result in personal injury and damage to your scooter. Pride will not be held responsible for injuries and/or property damage resulting from failure to observe weight limitations.**

**WARNING! Do not carry passengers on your scooter. Carrying passengers may result in personal injury and/or property damage.**

## INCLINE INFORMATION

More and more buildings have ramps with specified degrees of inclination, designed for easy and safe access. Some ramps may have turning switchbacks (180-degree turns) that require you to have good cornering skills on your scooter.

- Proceed with extreme caution as you approach the downgrade of a ramp or other incline.
- Take wide swings with your scooter's front wheel(s) around any tight corners. If you do that, the scooter's rear wheels will follow a wide arc, not cut the corner short, and not bump into or get hung up on any railing corners.
- When driving down a ramp, keep the scooter's speed adjustment set to the slowest speed setting to ensure a safely controlled descent.
- Avoid sudden stops and starts.

## II. SAFETY

When climbing an incline, try to keep your scooter moving. If you must stop, start up again slowly, and then accelerate cautiously. When driving down an incline, do so by setting the speed adjustment dial to the slowest setting and driving in the forward direction only. If your scooter starts to move down the incline faster than you anticipated or desired, allow it to come to a complete stop by releasing the throttle control lever. Then push the throttle control lever forward slightly to ensure a safely controlled descent.

**WARNING! When climbing an incline, do not zigzag or drive at an angle up the face of the incline. Drive your scooter straight up the incline. This greatly reduces the possibility of a tip or a fall. Always exercise extreme caution when negotiating an incline.**



**WARNING! Do not drive your scooter across the side of a hill or diagonally up or down a hill; do not stop, if possible, while driving up or down an incline.**

**WARNING! You should not travel up or down a potentially hazardous incline (i.e., areas covered with snow, ice, cut grass, or wet leaves).**

**WARNING! Even though your scooter is capable of climbing slopes greater than those illustrated in figures 1 and 1A, do not, under any circumstances, exceed the incline guidelines or any other specifications presented in this manual. Doing so could cause instability in your scooter, resulting in personal injury and/or damage to your Scooter.**

Handicap public access ramps are not subject to government regulation in all countries, and therefore do not necessarily share the same standard percent of slope. Other inclines may be natural or, if man-made, not designed specifically for scooters. Figures 1 and 1A illustrate your scooter's stability and its ability to climb grades under various weight loads and under controlled testing conditions.

These tests were conducted with the scooter's seat in the highest position and adjusted rearward on the seat base to its farthest rearward position. Use this information as a guideline. Your scooter's ability to travel up inclines is affected by your weight, your scooter's speed, your angle of approach to the incline, and your scooter setup.

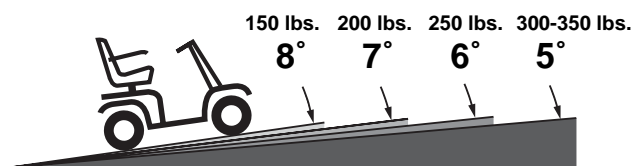


Figure 1. (3-wheel) Maximum Recommended Incline Angles

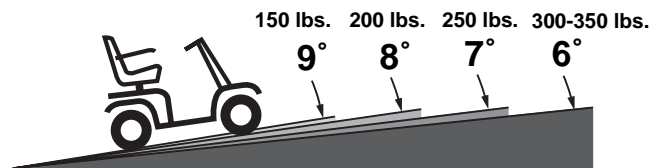


Figure 1A. (4-wheel) Maximum Recommended Incline Angles



**WARNING! Any attempt to climb or descend a slope steeper than what is shown in figures 1 and 1A may put your scooter in an unstable position and cause it to tip, resulting in personal injury.**



**WARNING! Never carry an oxygen tank weighing more than 15 lbs. Never fill the rear basket with contents exceeding 15 lbs.**



## II. SAFETY

When you approach an incline, it is best to lean forward. See figures 2 and 2A. This shifts the center of gravity of you and your scooter toward the front of the scooter for improved stability.



Figure 2. Normal Driving Position



Figure 2A. Increased Stability Driving Position

### CORNERING INFORMATION

Excessively high cornering speeds can create the possibility of tipping. Factors which affect the possibility of tipping include, but are not limited to, cornering speed, steering angle (how sharply you are turning), uneven road surfaces, inclined road surfaces, riding from an area of low traction to an area of high traction (such as passing from a grassy area to a paved area – especially at high speed while turning), and abrupt directional changes. High cornering speeds are not recommended. If you feel that you may tip over in a corner, reduce your speed and steering angle (i.e., lessen the sharpness of the turn) to prevent your scooter from tipping.



**WARNING! When cornering sharply, reduce your speed. When using your scooter at higher speeds, do not corner sharply. This greatly reduces the possibility of a tip or fall. To avoid personal injury or property damage, always exercise common sense when cornering.**

### BRAKING INFORMATION

Your scooter is equipped with two powerful brake systems:

1. Regenerative: Uses electricity to rapidly slow the vehicle when the throttle control lever returns to the center/stop position.
2. Disc Park Brake: Activates mechanically after regenerative braking slows the vehicle to near stop, or when power is removed from the system for any reason.

## II. SAFETY

### OUTDOOR DRIVING SURFACES

Your scooter is designed to provide optimum stability under normal driving conditions—dry, level surfaces composed of concrete, blacktop, or asphalt. However, Pride recognizes that there will be times when you will encounter other surface types. For this reason, your scooter is designed to perform admirably on packed soil, grass, and gravel. Feel free to use your scooter safely on lawns and in park areas.

- Reduce your scooter's speed when driving on uneven terrain and/or soft surfaces.
- Avoid tall grass that can become tangled in the running gear.
- Avoid loosely packed gravel and sand.
- If you feel unsure about a driving surface, avoid that surface.

### STREETS AND ROADWAYS



**WARNING! You should not operate your scooter on public streets and roadways. Be aware that it may be difficult for traffic to see you when you are seated on your scooter. Obey all local pedestrian traffic rules. Wait until your path is clear of traffic, and then proceed with extreme caution.**

*NOTE: Safety accessories like fluorescent flags are available to order from your authorized Pride Provider.*

### STATIONARY OBSTACLES (STEPS, CURBS, ETC.)

**WARNING! Do not drive near raised surfaces, unprotected ledges, and/or drop-offs (curbs, porches, stairs, etc.).**

**WARNING! Do not attempt to have your scooter climb or descend an obstacle that is inordinately high. Serious personal injury and/or damage may result.**



**WARNING! Do not attempt to have your scooter proceed backward down any step, curb, or other obstacle. This may cause the scooter to tip and cause personal injury.**

**WARNING! Be sure your scooter is traveling perpendicular to any curb you may be required to ascend or descend. See figures 3 and 4.**

**WARNING! Do not attempt to negotiate a curb that has a height greater than 2 in.**

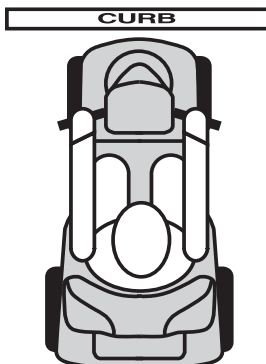


Figure 3. Correct Curb Approach

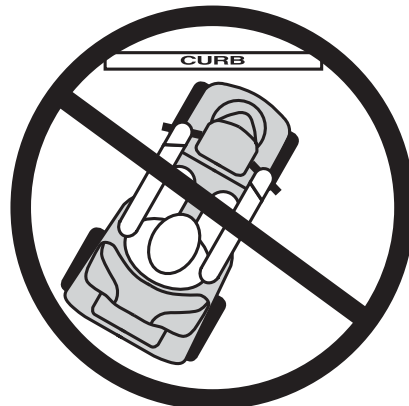


Figure 4. Incorrect Curb Approach

## II. SAFETY

### INCLEMENT WEATHER PRECAUTIONS



**WARNING! Pride recommends that you do not operate your scooter in icy or slippery conditions or on salted surfaces (i.e., walks or roads). Such use may result in an accident, personal injury, or adversely affect the performance and safety of your scooter.**

**WARNING! Do not operate or store your scooter where it may be exposed to inclement weather conditions such as rain, snow, mist, and below freezing temperatures (such as storage on an outside car/van lift). Attempting to operate the scooter in such conditions can damage the electronics and potentially result in loss of control.**

### FREEWHEEL MODE

Your scooter is equipped with a manual freewheel lever that, when pulled up, allows the scooter to be pushed. For more information about how to place your scooter into and out of freewheel mode, see IV. “Your Celebrity.”



**WARNING! When your scooter is in manual freewheel mode, the braking system is disengaged.**

- **Disengage the drive motors only on a level surface.**
- **Ensure the key is removed from the key switch.**
- **Stand behind the scooter to engage or disengage freewheel mode. Never sit on a scooter to do this.**
- **After you have finished pushing your scooter, always return it to the drive mode to lock the brakes.**

**Failure to heed the above could result in personal injury and/or damage to your scooter.**

An added feature built into the Celebrity is “**push-too-fast**” protection which safeguards the scooter against gaining excessive speed while in freewheel mode.

“Push-too-fast” operates differently depending on which of two conditions exists:

- If the key is switched “off” while in freewheel mode, the scooter’s controller activates regenerative braking when the scooter is pushed faster than a maximum threshold which has been preprogrammed. In this case, the controller is acting as a speed governor.
- If the key is switched “on” while in freewheel mode, you will encounter considerable resistance at any speed. This prevents the scooter from gaining unwanted momentum should the manual freewheel lever inadvertently be released while driving the scooter.

## II. SAFETY

### STAIRS AND ESCALATORS

Scooters are not designed to travel up or down stairs or escalators. Always use an elevator.



**WARNING! Do not use your scooter to negotiate steps or escalators. You may cause injury to yourself and to others and damage your scooter.**

### DOORS

- Determine if the door opens toward or away from you.
- Use your hand to turn the knob or push the handle or push-bar.
- Drive your scooter gently and slowly forward to push the door open. Or drive your scooter gently and slowly rearwards to pull the door open.

### ELEVATORS

Modern elevators have a door edge safety mechanism that, when pushed, reopens the door(s).

- If you are in the doorway of a elevator when the door(s) begin to close, push on the rubber door edge or allow the rubber door edge to contact the scooter and the door will reopen.
- Use care that pocketbooks, packages, or scooter accessories do not become caught in elevator doors.

### LIFT/ELEVATION PRODUCTS

If you will be traveling with your scooter, you may find it necessary to use a lift/elevation product to aid in transportation. Pride recommends that you closely review the instructions, specifications, and safety information set forth by the manufacturer of the lift/elevation product before using that product.



**WARNING! Never sit on your scooter when it is being used in connection with any type of lift/elevation product. Your scooter was not designed with such use in mind, and any damage or injury incurred from such use is not the responsibility of Pride.**

### BATTERIES

In addition to following the warnings below, be sure to comply with all other battery handling information.



**WARNING! Scooter batteries are heavy. Lifting weight beyond your capacity could result in personal injury. If necessary, get someone physically able to lift the scooter's batteries for you.**

**WARNING! Battery posts, terminals, and related accessories contain lead and lead compounds. Wash hands after handling.**

**WARNING! Always protect the batteries from freezing and never charge a frozen battery. Charging a frozen battery may result in personal injury and/or damage to the battery.**

**WARNING! RED (+) cables must be connected to positive (+) battery terminals/posts. BLACK (-) cables must be connected to negative (-) battery terminals/posts. Failure to connect your battery harnesses in the proper manner may result in personal injury and/or damage to your power chair. REPLACE cables immediately if damaged.**

### BATTERY DISPOSAL AND RECYCLING

If you encounter a damaged or cracked battery, immediately enclose it in a plastic bag and call your authorized Pride Provider for instructions on disposal. Your authorized Pride Provider will also have the necessary information on battery recycling, which is our recommended course of action.

## II. SAFETY

### MOTOR VEHICLE TRANSPORT

Currently, there are no standards approved for tie-down systems in a moving vehicle of any type to transport a person while seated in a scooter.

Although your scooter may be equipped with a positioning belt, this belt is not designed to provide proper restraint during motor vehicle transport. Anyone traveling in a motor vehicle should be properly secured in the motor vehicle seat with safety belts fastened securely.



**WARNING! Do not sit on your scooter while it is in a moving vehicle. Personal injury and/or property damage may result.**

**WARNING! Always be sure your scooter and its batteries are properly secured when it is being transported. Failure to do so may result in personal injury and/or damage to your scooter.**

### PREVENTING UNINTENDED MOVEMENT



**WARNING! If you anticipate being seated in a stationary position for an extended period of time, turn off the power. This will prevent unexpected motion from inadvertent throttle control lever contact. Failure to do so may result in personal injury.**

### GETTING ONTO AND OFF OF YOUR SCOOTER

Getting onto and off of your scooter requires a good sense of balance. Please observe the following safety tips when getting onto and off of your scooter:

- Ensure that your scooter is not in freewheel mode. See V. “Your Celebrity.”
- Make certain that the seat is locked into place and the key is removed from the key switch.
- The seat armrests can be flipped up to make getting onto and off of the scooter easier.



**WARNING! Position yourself as far back as possible in the scooter seat to prevent the scooter from tipping and causing injury.**

**WARNING! Avoid using your armrests for weight bearing purposes. Such use may cause the scooter to tip and cause personal injury.**

**WARNING! Avoid putting all of your weight on the floorboard. Such use may cause the scooter to tip and cause personal injury.**

### REACHING AND BENDING

Avoid reaching or bending while driving your scooter. When reaching, bending, or leaning while seated on your scooter, it is important to maintain a stable center of gravity and keep the scooter from tipping. Pride recommends that the scooter user determine his/her personal limitations and practice bending and reaching in the presence of a qualified healthcare professional.



**WARNING! Do not bend, lean, or reach for objects if you have to pick them up from the floor by reaching down between your knees. Movements such as these may change your center of gravity and the weight distribution of the scooter and cause your scooter to tip, possibly resulting in personal injury. Keep your hands away from the tires when driving.**

## II. SAFETY

### POSITIONING BELTS

Your authorized Pride Provider, therapist(s), and other healthcare professionals are responsible for determining your requirement for a positioning belt in order to operate your scooter safely.



**WARNING! If you require a positioning belt to safely operate your scooter, make sure it is fastened securely. Serious personal injury may result if you fall from the scooter.**

### PRESCRIPTION DRUGS/PHYSICAL LIMITATIONS

The scooter user must exercise care and common sense when operating his/her scooter. This includes awareness of safety issues when taking prescribed or over-the-counter drugs or when the user has specific physical limitations.



**WARNING! Consult your physician if you are taking prescribed or over-the-counter medication or if you have certain physical limitations. Some medications and limitations may impair your ability to operate your scooter in a safe manner.**

### ALCOHOL

The scooter user must exercise care and common sense when operating his/her scooter. This includes awareness of safety issues while under the influence of alcohol.



**WARNING! Do not operate your scooter while you are under the influence of alcohol, as this may impair your ability to drive safely.**

# III. EMI/RFI

## **EMI/RFI WARNINGS**

Laboratory tests performed by the Food and Drug Administration (FDA) have shown that radio waves can cause unintended motion of electric mobility vehicles. Radio waves are a form of electromagnetic energy (EM). When electromagnetic energy adversely affects the operation of an electrical device, that adverse effect is called *Electromagnetic Interference (EMI)* or *Radio Frequency Interference (RFI)*.

## **EMI/RFI FREQUENTLY ASKED QUESTIONS (FAQS)**

The following FAQs summarize what you should know about EMI/RFI. Use this information to minimize the risk that EMI/RFI will adversely affect your mobility vehicle.

### **Where do radio waves come from?**

Radio waves are emitted from the antennas of cellular phones, mobile two-way radios (such as walkie-talkies and CBs), radio stations, TV stations, amateur radio (HAM) transmitters, wireless computer links, microwave sources, and paging transmitters. Radio waves are a form of electromagnetic energy (EM). EM is more intense closer to transmitting antennas, which are sources of emission. The greater the transmission strength, the greater the concern to electric mobility vehicle users.

### **If EMI/RFI affects my mobility vehicle, what kind of motion should I expect?**

This is difficult to predict. The answer would depend on a number of factors:

- The strength of the radio waves.
- The construction of your particular mobility vehicle.
- The location of your mobility vehicle (whether it is on the level ground or on an incline).
- Whether or not your mobility vehicle is in motion.

The motion of any electric mobility vehicle affected by EMI/RFI can be erratic. The mobility vehicle may come to a sudden stop or move in an uncontrolled manner. Also, it is possible for EMI/RFI to release the brakes of an electric mobility vehicle. Some intense EMI/RFI can even damage the control system components of an electric mobility vehicle.

### **Is there any way to know for certain whether or not radio waves are the cause of any unintended mobility vehicle motion?**

Unfortunately, EMI/RFI may be difficult to recognize, because the signals from radio sources are invisible and may be intermittent. However, the FDA recommends that you report all incidents of unintended motion or unintended brake release of your mobility vehicle to its manufacturer and, if possible, determine whether or not there was a radio wave source nearby at the time of the incident.

One precaution you can take against unintended motion of your mobility vehicle is to make certain that you or someone else is not the cause of the unintended motion.

- Turn off your mobility vehicle by removing the key from the key switch when you are getting onto or off of your mobility vehicle.
- Never leave the key in the key switch of an unattended mobility vehicle.
- By following these steps, you greatly reduce the risk of you or anyone else inadvertently bumping the throttle control levers and causing the mobility vehicle to move unintentionally.

### **Has anyone been injured by the erratic, unintended motion of an electric mobility vehicle?**

The FDA has reports of injuries that resulted from uncontrolled motion of electric mobility vehicles, but it is not clear just how many of those injuries were actually caused by EMI/RFI.

## III. EMI/RFI

### **Are all electric mobility vehicles susceptible to EMI/RFI?**

Each make and model of electric mobility vehicle differs in its ability to resist EMI/RFI. Every mobility vehicle has a particular level of resistance to EMI/RFI. This resistance is measured in volts per meter (V/m). A higher resistance level offers greater protection against EMI/RFI. In other words, an electric mobility vehicle with a high resistance level is less likely to be affected by a strong radio source than is an electric mobility vehicle with a low resistance level.

### **What is the FDA doing about the problem?**

The FDA has written to electric mobility vehicle manufacturers and requested that those manufacturers test their new mobility vehicle models to be certain that they provide a reasonable degree of resistance against EMI/RFI. The FDA has stated that all newly manufactured electric mobility vehicle models should have a resistance level of at least 20 V/m. This level of resistance provides a reasonable degree of protection against the common sources of EMI/RFI.

The FDA has also requested or recommended that:

- Electric mobility vehicle manufacturers clearly label new products with their resistance level or state that the resistance level is not known.
- The labeling or informational material supplied with new electric mobility vehicles must explain what the resistance level means and warn users about the possibility of EMI/RFI and how to avoid it.
- Electric mobility vehicle manufacturers undertake an educational program to inform electric mobility vehicle users and their caregivers about the problems associated with EMI/RFI and about the actions they can take to minimize the risk of EMI/RFI.
- While there is no exact way to tell if your mobility vehicle is totally safe, an immunity level of 20 V/m is generally achievable and useful. This product has been tested and passed at an immunity level of 20 V/m.

### **What can I do to find out if my mobility vehicle is likely to be affected by EMI/RFI?**

If you have had your mobility vehicle for some time and have not experienced any unintended motion, it is not likely that you will have a problem in the future. However, it is always possible that EMI/RFI problems could arise if you are close to a source of radio waves. Therefore, it is very important for you to be alert to this possibility. The mobility vehicle meets or exceeds a resistance level of at least 20 V/m.

### **What can I do to reduce the risk of my mobility vehicle being affected by EMI/RFI?**

Here are some precautions you can take:

- Do not turn on or use hand-held personal communications devices, such as citizens band (CB) radios and cellular phones, while your mobility vehicle is turned on.
- Be aware of nearby radio wave transmitters, such as radio or TV stations and hand-held or mobile two-way radios. Try not to operate your mobility vehicle too close to those transmitters. For example, if you are on an electric mobility vehicle with a resistance level of at least 20 V/m, you should remain at least three feet from a hand-held two-way radio and at least ten feet from a mobile two-way radio.
- Be aware that adding accessories and/or components, or modifying your mobility vehicle in any way, may change its EMI/RFI resistance level and may make it more susceptible to interference from radio wave sources.

### **What should I do if my mobility vehicle moves unexpectedly?**

If unintended motion or unintended brake release occurs, turn off your mobility vehicle (by removing the key) as soon as it is safe to do so.

### **If my mobility vehicle moves unintentionally, where should I report the incident?**

Call Pride Customer Care at 1-800-424-8205 to report the incident.



# IV. SPECIFICATIONS

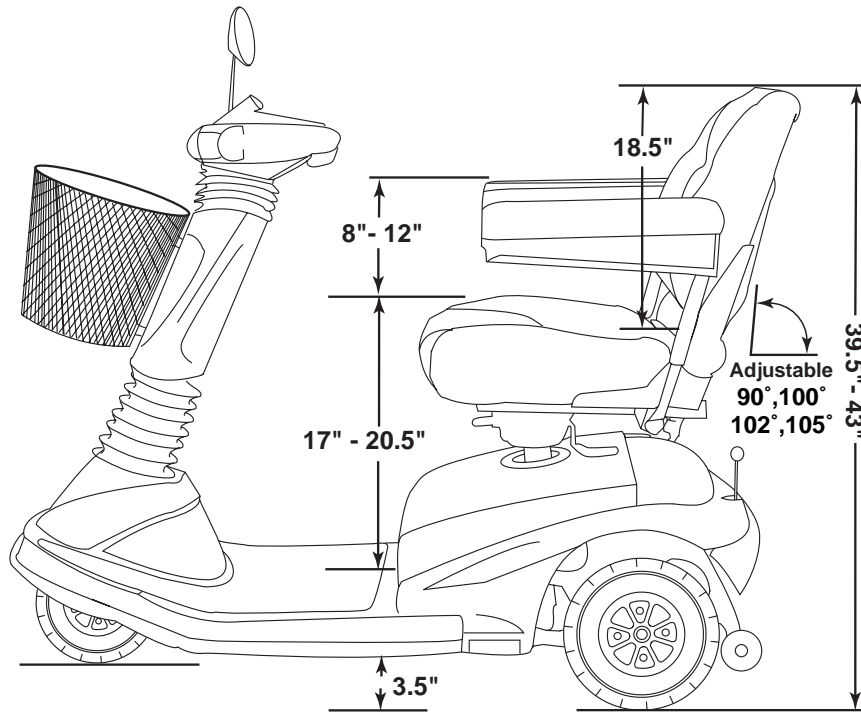
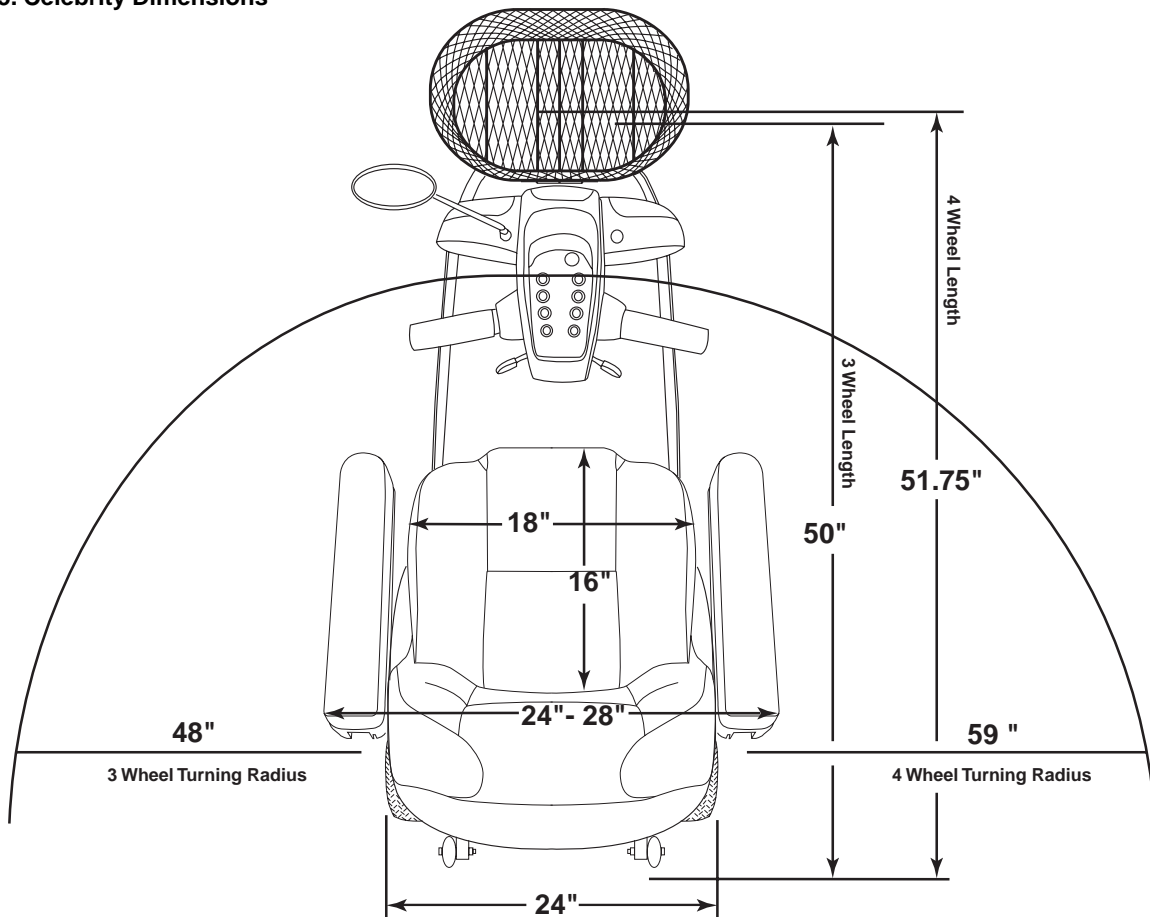


Figure 5. Celebrity Dimensions



# IV. SPECIFICATIONS

<b>Model Numbers</b>	Three-wheel: SC4000OBLK, SC4000VBLU, SC4000FGRE, SC4000CRED Four-wheel: SC4400OBLK, SC4400VBLU, SC4400FGRE, SC4400CRED														
<b>Length</b>	50 in. (3 wheel), 51.75 in. (4 wheel)														
<b>Width</b>	24 in.														
<b>Tires</b>	Type: Pneumatic; Front: 3 in. x 10 in., Rear: 4 in. x 10 in.														
<b>Weight Capacity</b>	350 lbs. maximum														
<b>Battery Type</b>	Two 12 volt, 32AH, U-1 type, SLA (sealed lead-acid) or two 12 volt, 40AH, AGM or Gel-Cell														
<b>Horsepower</b>	1.4 hp (peak)														
<b>Charger</b>	Onboard 3-Amp Charger														
<b>Speed (max)</b>	Variable up to 5.25 m.p.h.														
<b>Maximum Grade</b>	Variable (refer to figures 1 and 2)														
<b>Range, Maximum</b>	<b>(12V 40AH batteries)</b> Up to 20-30 miles <b>(12V 32AH batteries)</b> Up to 20-25 miles														
<b>Turning Radius</b>	3 wheel: 48 in., 4 wheel: 59 in.														
<b>Body Colors</b>	Painted: Candy Apple Red, Forest Green, Viper Blue, and Onyx Black														
<b>Seating</b>	<p><b>Standard Option Seating Style:</b> Medium-back luxury contoured seat with sliders, mounted on pneumatic adjustable seat post</p> <p><b>Standard Seating Features:</b></p> <ul style="list-style-type: none"> <li>• User-adjustable seat sliding mechanism</li> <li>• Adjustable armrest height, width, and angle</li> <li>• Four adjustable seat-back angles</li> <li>• Pneumatic height adjustment with shock absorber action</li> </ul> <p><b>Dimensions:</b> 18 in. width x 16 in. depth (usable) x 18.5 in. height (usable)</p> <p><b>Material:</b> Vinyl: Gray, Brown Fabric: Gray, Gold</p> <p><b>Armrests:</b> Upholstered, matching vinyl or fabric with cosmetic edge guards</p> <p><b>Adjustable seatpost height from ground:</b> variable between 23 in. to 26.5 in.</p>														
<b>Included Features</b>	Full directional lighting package with front "running lights"; deluxe motorcycle-style rearview mirror (can be installed on left or right side of tiller); lighted touch pad control console; front basket; user adjustable sliding seat; full "soft-ride" shock absorber-equipped suspension; pneumatic height-adjustable seat post with shock-absorber action; four position adjustable seat-back angle; adjustable armrest width, height & angle; dual microprocessor-based motor controller system; modular controller/charger assembly; infinitely adjustable tiller with auto-leveling console and shock dampening action; standard front & rear integrated bumpers; easily accessible charger port receptacle, circuit breaker and freewheel lever; standard non-marring, high density polyurethane bumper(s); battery well accepts 32AH or 40AH batteries; standard battery fixation straps; status LED														
<b>Brakes</b>	Electronic disc, manual freewheel														
<b>Rear Wheel Drive</b>	Sealed Transaxle - 24V														
<b>Wheels</b>	Black														
<b>Tiller Type</b>	Infinitely adjustable with auto-leveling console														
<b>Freewheel Mechanism Availability</b>	Lever at lower right portion of rear shroud														
<b>Weight of Scooter</b>	<p><b>TOTAL Weight of Celebrity (with two 12V 40AH batteries) = 211.5 lbs. (3 wheel); 227.5 lbs. (4 wheel)</b></p> <p><b>TOTAL Weight of Celebrity (with two 12V 32AH batteries) = 197.5 lbs. (3 wheel); 213.5 lbs. (4 wheel)</b></p> <p><b>Component breakdown:</b></p> <table style="margin-left: 40px;"> <tr> <td>Front section:</td> <td>45.5 lbs.(3 wheel), 61.5 lbs. (4 wheel)</td> </tr> <tr> <td>Rear section (without batteries or rear shroud):</td> <td>64.0 lbs.</td> </tr> <tr> <td>Rear plastic shroud:</td> <td>4.0 lbs.</td> </tr> <tr> <td>Seat (Med-back with pneumatic seat platform &amp; sliders):</td> <td>32.5 lbs.</td> </tr> <tr> <td>Batteries: (note: two batteries are required per Scooter)</td> <td>12V, 40AH 32.0 lbs. (each)</td> </tr> <tr> <td></td> <td>12V, 32AH 25.0 lbs. (each)</td> </tr> <tr> <td>Basket:</td> <td>1.5 lbs.</td> </tr> </table>	Front section:	45.5 lbs.(3 wheel), 61.5 lbs. (4 wheel)	Rear section (without batteries or rear shroud):	64.0 lbs.	Rear plastic shroud:	4.0 lbs.	Seat (Med-back with pneumatic seat platform & sliders):	32.5 lbs.	Batteries: (note: two batteries are required per Scooter)	12V, 40AH 32.0 lbs. (each)		12V, 32AH 25.0 lbs. (each)	Basket:	1.5 lbs.
Front section:	45.5 lbs.(3 wheel), 61.5 lbs. (4 wheel)														
Rear section (without batteries or rear shroud):	64.0 lbs.														
Rear plastic shroud:	4.0 lbs.														
Seat (Med-back with pneumatic seat platform & sliders):	32.5 lbs.														
Batteries: (note: two batteries are required per Scooter)	12V, 40AH 32.0 lbs. (each)														
	12V, 32AH 25.0 lbs. (each)														
Basket:	1.5 lbs.														
<b>Front-to-Rear Lockup</b>	Dual lock pins & camlock levers														
<b>Ground Clearance</b>	3.5 in.														
<b>Accessories</b>	Rear basket; cup holder; portable canopy; safety flag; solid foam filled tires; cane/crutch holder; walker holder; dust cover; weather breaker canopy; oxygen tank holder														

# V. YOUR CELEBRITY

Your Celebrity is a motorized electric Scooter designed to enhance your personal mobility. Your Celebrity is an indoor/outdoor Scooter designed to travel primarily on smooth surfaces, such as sidewalks, roads, parking lots, floors, and driveways. For easy transportation or storage, you can disassemble your Celebrity into seven components. See figure 6.



Figure 6: Celebrity Components

## CONTROL CONSOLE ASSEMBLY

The control console assembly houses all of the controls you need to drive your Celebrity, including the speed adjustment dial, throttle control levers, battery condition meter, status LED, running lights button, horn buttons, turn signal buttons, and the hazard light button. See figure 7.



**WARNING! Do not expose the control console assembly to moisture. In the event that the console does become exposed to moisture, do not attempt to operate your Celebrity until the console has thoroughly dried.**

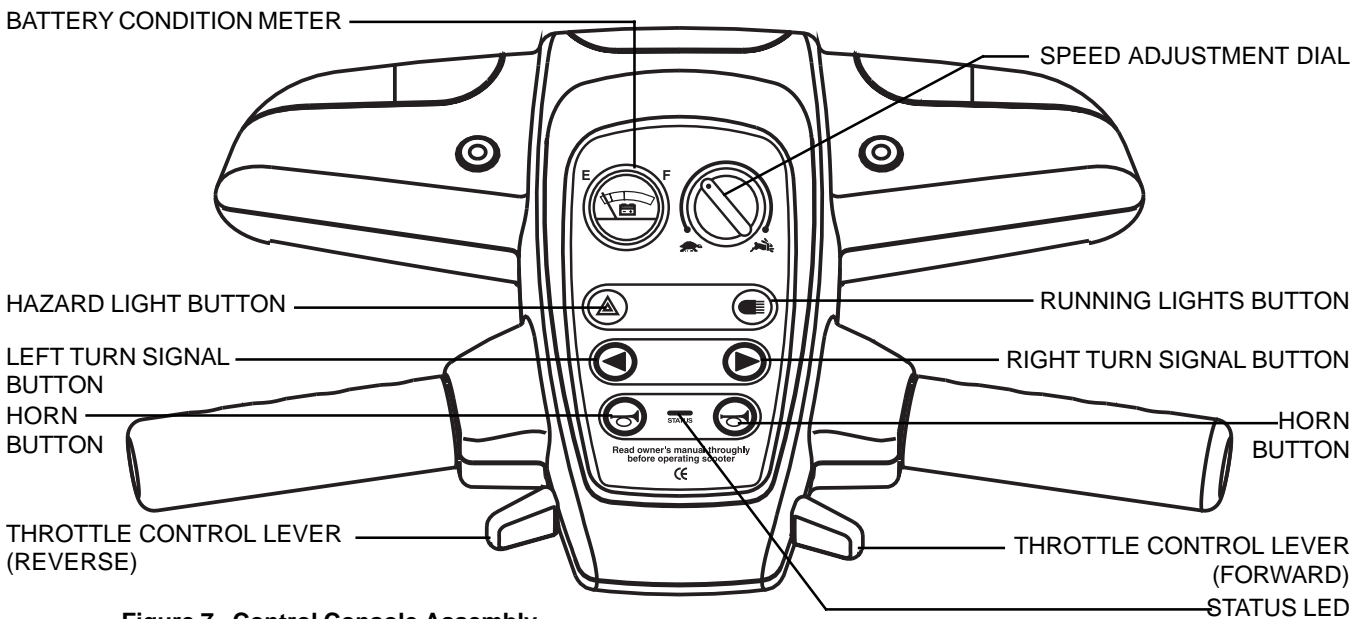


Figure 7: Control Console Assembly

# V. YOUR CELEBRITY

## Key Switch

- Fully insert the key into the key switch and turn it clockwise to power up (turn on) your Celebrity.
- Turn the key counterclockwise to power down (turn off) your Celebrity.



**WARNING!** If the key is moved to the off position while your Celebrity is in motion, the electronic brakes engage and your Celebrity comes to an abrupt stop!

## Speed Adjustment Dial

This control dial allows you to preselect and limit your scooter's top speed.

- The image of the tortoise represents the slowest speed setting.
- The image of the hare represents the fastest speed setting.

## Throttle Control Lever

This lever allows you to control the forward speed and the reverse speed of your Celebrity up to the maximum speed you preset with the speed adjustment dial.

- Place your right hand on the right handgrip and your left hand on the left handgrip.
- Use your right thumb to push the right side of the lever to disengage your Celebrity's brakes and move forward.
- Release the lever and allow your Celebrity to come to a complete stop before pushing the other side of the lever to move in reverse.
- When the throttle is completely released, it automatically returns to the center "stop" position and engages your Celebrity's brakes.

## Battery Condition Meter

This meter gives an approximate reading of your scooter's battery voltage when the key is fully inserted into the key switch.

- Green indicates the Celebrity's batteries are fully charged.
- Yellow indicates that the Celebrity's battery voltage level is getting low and will require a charge soon.
- Red indicates that your Celebrity's battery voltage level is very low, and the batteries should be recharged as soon as possible.

## Running Lights Button

This button controls your Celebrity's running lights.

- Press the button once to turn on your Celebrity's running lights.
- Press the button again to turn off your Celebrity's running lights.

## Horn Button

The key must be inserted and turned to the "on" position for the horn to be operational.

- This button activates a warning horn.
- Do not hesitate to use the warning horn when its use could prevent accident or injury.

## Hazard Light Button

This button activates the 4-way flashers on your Scooter.

- Press the button once to turn on the flashers.
- Press the button again to turn off the flashers.

## V. YOUR CELEBRITY

### Turn Signal Buttons

- Press the appropriate turn signal button once to activate it.
- Your Celebrity's turn signals are timed to shut off automatically.

### Status LED

The Status LED will alert you to electrical problems that may occur with the Celebrity. The LED remains constantly lit while your scooter is on. If the Celebrity develops an electrical problem, the status LED will flash a code. See XI. "Basic Troubleshooting"). If the status LED flashes a code other than a code listed in "Basic Troubleshooting", contact the Pride technical service department by calling 1-800-800-8586.

# V. YOUR CELEBRITY

## REAR SECTION

The onboard battery charger (not shown), the charger power cord receptacle, the batteries (not shown), the electronics module, the main circuit breaker (reset button), the ammeter, the manual freewheel lever, the anti-tip wheels, and the motor/transaxle assembly (not shown) are located on the rear section of your Celebrity. See figure 8. Refer to IX. “Disassembly and Assembly” for instructions on removing the rear shroud.

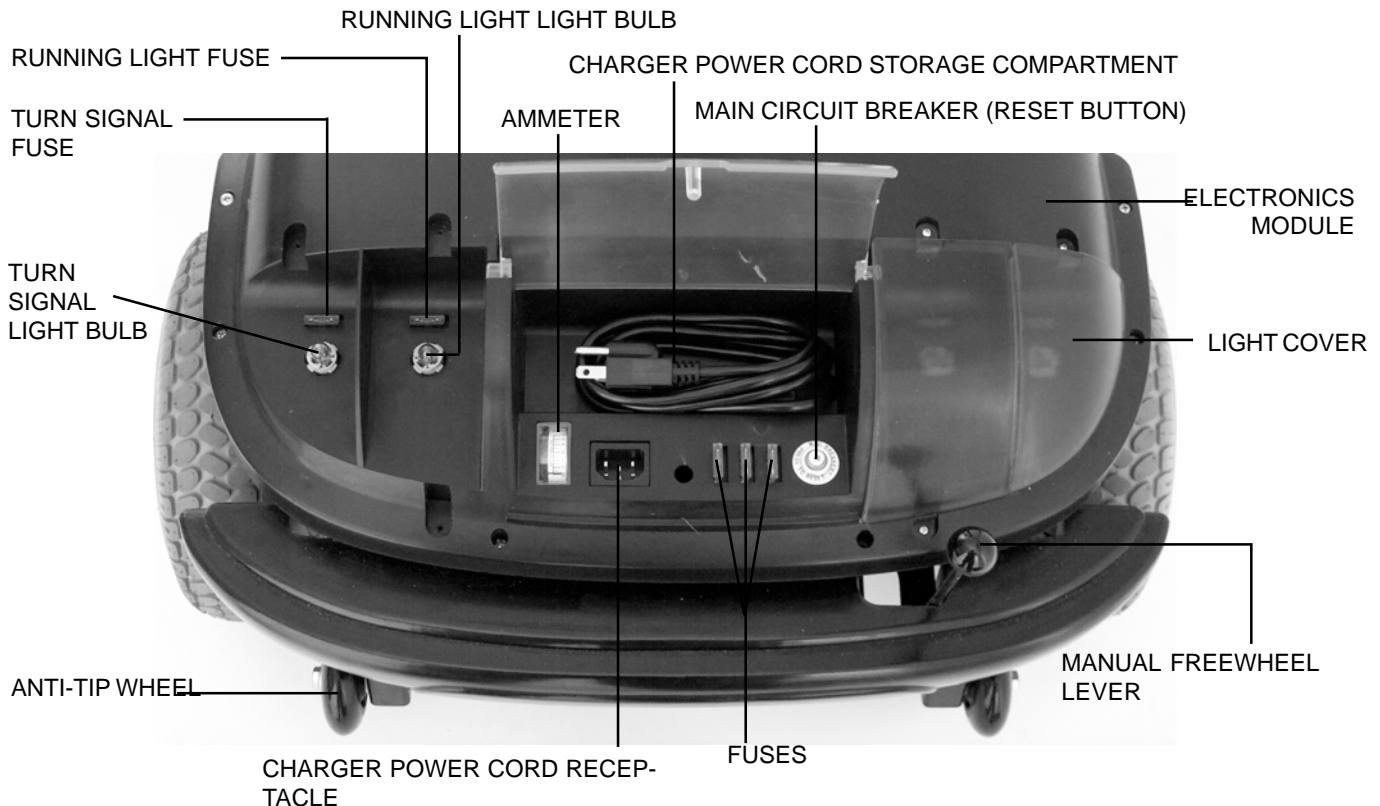


Figure 8. Rear Section (left Light Cover Removed For Clarity)

## Batteries

The batteries store the electrical energy that powers your Celebrity. See VI. “Batteries and Charging.”

## Main Circuit Breaker

When the voltage in your Celebrity’s batteries becomes low or your Celebrity is heavily strained because of excessive loads or steep inclines, the main circuit breaker may trip to protect your Celebrity’s motor and electronics from damage. See figure 8.

- The main circuit breaker reset button pops out when the breaker trips.
- When the breaker trips, the entire electrical system of your Celebrity shuts down.
- Allow a minute or two for your Celebrity’s electronics to “rest.”
- Push in the reset button to reset the breaker.
- If the breaker trips frequently, you may need to charge your batteries more often. You may also need to have your Pride Provider perform a load test on your Celebrity’s batteries.
- If the main circuit breaker trips repeatedly, see your authorized Pride Provider for service.

# V. YOUR CELEBRITY

## Manual Freewheel Lever

Whenever you need or want to push your Celebrity for short distances, you can put it in manual freewheel mode.



**WARNING! When your scooter is in manual freewheel mode, the braking system is disengaged.**

- **Disengage the drive motors only on a level surface.**
- **Ensure the key is removed from the key switch.**
- **Stand behind the scooter to engage or disengage freewheel mode. Never sit on a scooter to do this.**
- **After you have finished pushing your scooter, always return it to the drive mode to lock the brakes.**

**Failure to heed the above could result in personal injury and/or damage to your scooter.**

- Pull up on the manual freewheel lever to disable the drive system and the brake system.
- You may push your Celebrity.
- Push down on the manual freewheel lever to reengage the drive system and the brake system and take your Celebrity out of freewheel mode.

## Motor/Transaxle Assembly

The motor/transaxle assembly is the electromechanical unit that converts the electrical energy of your Celebrity's batteries into the controlled mechanical energy that drives the Celebrity's wheels.

## Anti-Tip Wheels

The anti-tip wheels are an integral and important safety feature of your Celebrity. Do not, under any circumstances, remove the anti-tip wheels from your Celebrity.



**WARNING! Do not remove the anti-tip wheels or modify your scooter in any way that is not authorized by Pride.**

## Charger Power Cord Receptacle

The charger power cord plugs into your Celebrity's battery charger by means of the charger power cord receptacle.

## Fuses

The fuses help protect your Celebrity's lighting, control console assembly, and charging systems from receiving an overload of electrical current. The fuses used in the Celebrity are the same type automobiles use. See figure 8.

If a fuse must be replaced, use only the specified amp fuse. See XII. "Care and Maintenance."

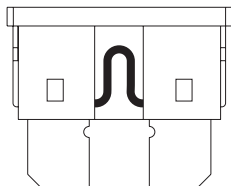


Figure 9. Working Fuse

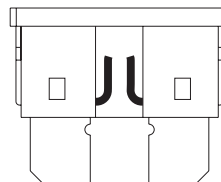


Figure 10. Blown Fuse (Replace)



**WARNING! The replacement fuse must exactly match the rating of the new fuse. Failure to use properly rated fuses may cause damage to the electrical system and may result in personal injury**

## VI. BATTERIES AND CHARGING

Your Celebrity uses two long-lasting, 12-volt, deep-cycle batteries that are sealed and maintenance free. They are recharged by an onboard 3-amp charging system designed for ease of use and convenience.

- Charge your Celebrity's batteries prior to using it for the first time.
- Keep your batteries fully charged to keep your Celebrity running trouble free.

### Follow these easy steps to charge your batteries safely:

1. Position your Scooter close to a standard wall outlet.
2. Remove the key from the control console assembly.
3. Make certain that the freewheel lever is in the drive (down) position.
4. Plug the charger power cord into the charger power cord receptacle on the Scooter.
5. Extend the charger power cord and plug it into the wall outlet.



**WARNING! Never use an extension cord to plug in your battery charger. Plug the charger directly into a properly wired standard wall outlet.**

**WARNING! Removal of the grounding prong can create an electrical hazard. If necessary properly install an approved 3-prong adaptor to an electrical outlet having 2-pronged plug access. Failure to heed could result in personal injury and or property damage.**

*NOTE: There is a charger inhibit on your Scooter. The Scooter will not run and the Battery Condition Meter will not operate while the batteries are charging.*

It is recommended that you charge your batteries for 8 to 14 hours. You can check this periodically by the battery condition meter on the control console assembly. However, you must first unplug the battery charger and then insert the key. The battery condition meter on the control console assembly indicates the approximate strength of your batteries. See figure 11. To ensure the highest accuracy, the battery condition meter should be checked while operating your scooter at full speed on a dry, level surface.

- Green indicates the Celebrity's batteries are fully charged.
- Yellow indicates that the Celebrity's battery voltage level is getting low and will require a charge soon.
- Red indicates that your Celebrity's battery voltage level is very low, and the batteries should be recharged as soon as possible.

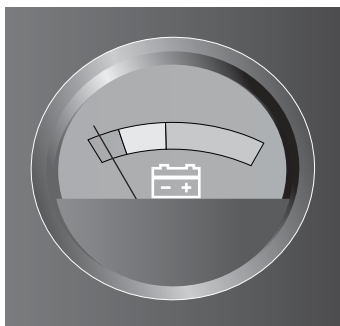


Figure 11. Battery Condition Meter

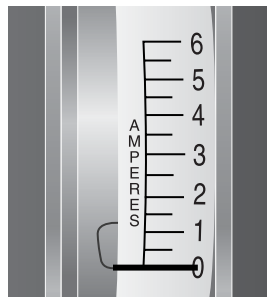


Figure 12. Ammeter Indicates Battery Is Fully Charged



## VI. BATTERIES AND CHARGING

You can also check the charge by the ammeter which is visible on the rear electronics module. The battery charger must be plugged into a wall outlet to obtain a reading. When the amperage reading is at or near zero (0) amps, the battery charging is complete. See figure 12.

6. When the batteries are fully charged, unplug the charger power cord from the wall outlet and then from the charger power cord receptacle.
7. Place the charger power cord in the rear storage compartment for safekeeping.

### FREQUENTLY ASKED QUESTIONS (FAQS)

#### How does the charger work?

When your Celebrity's battery voltage is low, the charger works harder and sends more electrical current to the batteries to bring up their charge. As the voltage of the batteries approaches a full charge, the charger sends less and less electrical current to the batteries. When the batteries are fully charged, the current sent to them from the charger is at nearly zero amperage. Therefore, when the charger is plugged in, it maintains the charge on your Celebrity's batteries, but does not overcharge them. We do not recommend that you charge your Celebrity's batteries for more than 24 consecutive hours.

#### What if the Celebrity's batteries won't charge?

- Be sure the battery cables are connected properly.
- Ensure both ends of the charger cord are inserted fully.
- Examine the 5-amp charger fuse. If the fuse is "blown", the batteries will not charge. See figures 9 and 10.

#### Can I use a different charger?

For the safest, most efficient and balanced charging of your Celebrity's batteries, we prefer and highly recommend the simultaneous charging of both batteries by use of the onboard battery charger.

#### How often must I charge the batteries?

Two major factors must be considered when deciding how often to charge your Celebrity's batteries:

- All day Scooter use on a daily basis.
- Infrequent or sporadic Scooter use.

With these considerations in mind, you can determine just how often and for how long you should charge your Celebrity's batteries. We designed the onboard charger so that it will not overcharge your Scooter's batteries (do not charge them for more than 24 consecutive hours). However, you may encounter some problems if you do not charge your batteries often enough and if you do not charge them on a regular basis. Following the five guidelines below will provide safe and reliable battery operation and charging.

- If you use your Celebrity daily, charge its batteries as soon as you finish using it for the day. Your Celebrity will be ready each morning to give you a "full day" of service. We recommend that you charge your Celebrity's batteries for 8 to 14 hours after daily use.
- If you use your Celebrity once a week or less, charge its batteries at least once a week for 12 to 14 hours at a time.
- Keep your Celebrity's batteries fully charged.
- Avoid deeply discharging your Celebrity's batteries.
- Do not charge your Celebrity's batteries for more than 24 consecutive hours.

## VI. BATTERIES AND CHARGING

### How can I get maximum range or distance per charge?

Rarely will you have ideal driving conditions—smooth, flat, hard driving surfaces with no wind or curves. You will often face hills, sidewalk cracks, uneven and loosely packed surfaces, curves, and wind. All of these driving conditions affect the distance or running time per battery charge. Below are a few suggestions for obtaining the maximum range per battery charge.

- Always fully charge your Celebrity's batteries prior to your daily use.
- Maintain 30-35 psi (pounds per square inch) in all of your Celebrity's tires.
- Plan your route ahead to avoid as many hills, cracked, broken, or soft surfaces as possible.
- Limit your baggage weight to essential items.
- Try to maintain an even speed while your Celebrity is in motion.
- Avoid stop-and-go driving.

### What type and size of battery should I use?

We recommend deep-cycle batteries that are sealed and maintenance free. Both sealed AGM and Gel Cell are deep-cycle batteries that are similar in performance. Do not use wet-cell batteries, which have removable caps.

*NOTE: Sealed batteries are not serviceable. Do not remove the caps.*

### Use these specifications to reorder deep-cycle batteries:

Type:	Deep-cycle (AGM or Gel Cell)
Size:	U-1
Voltage:	12 volts each
Amperage:	32AH or 40AH (amp hours)

### To change a battery in your Celebrity:



**WARNING! Battery posts, terminals, and related accessories contain lead and lead compounds. Wash hands after handling.**

1. Remove the seat and the rear shroud. See IX. "Disassembly and Assembly."
2. Disconnect the battery tie-down straps (if equipped).
3. Disconnect the battery cables from the rear electronics module.
4. Disconnect the battery cables from the battery terminals.
5. Remove the old battery.
6. Place a new battery in the battery well.
7. Connect the red battery cable to the positive (+) battery terminal.
8. Connect the black battery cable to the negative (-) battery terminal.
9. Reconnect the battery cables to the rear electronics module.
10. Reconnect the battery tie-down straps (if equipped).
11. Reinstall the rear shroud and the seat.

### Why do my new batteries seem weak?

Deep-cycle batteries employ a different chemical technology than that used in car batteries, nickel-cadmium batteries (nicads), or in other common battery types. Deep-cycle batteries are specifically designed to provide power, drain down their charge, and then accept a relatively quick recharge.

We work closely with our battery manufacturer to provide batteries that best suit your Celebrity's specific electrical

## VI. BATTERIES AND CHARGING

demands. Fresh batteries arrive daily at Pride and are shipped fully charged to our customers. During shipping, the batteries may encounter temperature extremes that may influence their initial performance. Heat diminishes the charge on the battery; cold slows the available power and extends the time needed to recharge the battery.

It may take a few days for the temperature of your Celebrity's batteries to stabilize and adjust to their new room or ambient temperature.

More importantly, it takes a few charging cycles (a partial drain followed by a full recharge) to establish the critical chemical balance that is essential to a deep-cycle battery's peak performance and long life.

Please follow these steps to properly break in your Celebrity's new batteries for maximum efficiency and service life.

1. Fully recharge any new battery prior to its initial use. This charging cycle brings the battery up to about 88% of its peak performance level.
2. Operate your new Celebrity in familiar and safe areas. Drive slowly at first, and do not travel too far from your home or familiar surroundings until you have become accustomed to your Celebrity's controls and have properly broken in your Scooter's batteries.
3. Fully recharge the batteries. They should be at over 90% of their peak performance level.
4. Operate your Celebrity again.
5. Fully recharge the batteries again.
6. After four or five charging cycles, the batteries are able to receive a charge of 100% of their peak performance level and are able to last for an extended period of time.

### **How can I ensure maximum battery life?**

Fully charged deep-cycle batteries provide reliable performance and extended battery life. Keep your Celebrity's batteries fully charged whenever possible. Batteries that are regularly and deeply discharged, infrequently charged, or stored without a full charge may be permanently damaged, causing unreliable performance and limited service life.

### **How should I store my Celebrity and its batteries?**

See XII. "Care and Maintenance."

# VII. OPERATION

## GETTING ON YOUR CELEBRITY



**WARNING! Never attempt to get onto or get off of your scooter without first removing the key from the key switch. Removing the key prevents the scooter from moving if accidental contact with the throttle control lever is made.**

1. Make certain that the key is removed from the key switch.
2. Stand at the side of your Celebrity.
3. Pull up on the seat lock lever and rotate the seat until it is facing you.
4. Make certain that the seat is locked securely in position.



**WARNING! Always lock the seat into position before you operate your scooter.**

5. Position yourself comfortably and securely in the seat.
6. Pull up on the seat lock lever and rotate the seat until you are facing forward.
7. Make certain that the seat is locked securely in position.
8. Make certain that your feet are safely on the floorboard.
9. Follow the checklist below. Familiarize yourself with this checklist, since some of the checks must be performed before you get on your Celebrity.

## PRE-RIDE ADJUSTMENTS AND CHECKS

- Have you fully charged the batteries? See VI. “Batteries and Charging.”
- Is the manual freewheel lever in the drive (down) position? Never leave the manual freewheel lever pulled up unless you are manually pushing your Celebrity. See V. “Your Celebrity.”
- Is your proposed path clear of people, pets, and obstacles?
- Have you planned your route to avoid adverse terrain and as many inclines as possible?
- Are you positioned comfortably in the seat? See “Getting On Your Celebrity,” above.
- Is the seat at the proper height? See VIII. “Comfort Adjustments.”
- Is the seat locked securely in place? See VIII. “Comfort Adjustments.”
- Is the tiller handle at a comfortable setting and locked securely in place? See VIII. “Comfort Adjustments.”
- Is the key fully inserted into the key switch and in the on position? See V. “Your Celebrity.”
- Is the speed adjustment dial set to a slower setting? See V. “Your Celebrity.”
- Are you grasping the handgrips with a thumb resting on each side of the throttle lever? See V. “Your Celebrity.”
- Does your Celebrity’s horn work properly?

## OPERATING YOUR CELEBRITY

After planning your route:

- Adjust the speed adjustment dial on the control console assembly to your desired speed.
- Press your thumb against the appropriate throttle lever.
- The electric brake automatically disengages and the Celebrity accelerates smoothly to the speed you preselected with the speed adjustment dial.
- Keep both hands on the tiller and your feet on the floorboard at all times while operating your scooter. This driving position gives you the most control over your vehicle.

*NOTE: The rear wheel drive transaxle gives your Celebrity maximum traction with minimal steering effort on your part.*

# VII. OPERATION

## WHETHER YOU ARE DRIVING FORWARD OR IN REVERSE

- Pull on the left handgrip to steer your Celebrity to the left.
- Pull on the right handgrip to steer your Celebrity to the right.
- Move the tiller to the center position to drive straight ahead.
- Release the throttle lever to decelerate and come to a complete stop.
- The electric brake automatically engages when your Celebrity comes to a stop.

## GETTING OFF OF YOUR CELEBRITY

1. Bring your Celebrity to a complete stop.
2. Make certain that the key is turned (counterclockwise) to the off position.
3. Pull up on the seat lock lever and rotate the seat until you are facing toward the side of your Celebrity.
4. Make certain that the seat is locked securely in position.
5. Carefully and safely get out of the seat and stand to the side of your Celebrity.
6. You may, if you wish, leave the seat facing to the side to facilitate boarding your Celebrity the next time you are going to operate it.

## POWER DOWN TIMER FEATURE

Your scooter is equipped with an energy saving automatic power down timer feature designed to preserve your scooter's battery life. If you mistakenly leave the key in the key switch and in the "on" position but do not use your scooter for approximately 20 minutes, the scooter's controller shuts down automatically. Although the controller is shut down, power will still be supplied to the scooter's lighting system.

If the power down timer feature takes effect, perform the following steps to resume normal operation.

1. Remove the key from the key switch.
2. Reinsert the key and power up your scooter.

# VIII. COMFORT ADJUSTMENTS



**WARNING! Remove the key from the key switch before adjusting the tiller or the seat. Never attempt to adjust the tiller or the seat while the scooter is in motion.**

## TILLER ANGLE ADJUSTMENT

Your Celebrity is equipped with an ergonomically enhanced pivoting tiller that keeps the console controls at your fingertips regardless of the tiller angle.

1. Pull up on the tiller adjustment lever. See figure 13.
2. Move the tiller to a comfortable position.
3. Release the tiller adjustment lever. The tiller remains in the position you selected.

*NOTE: In order to lower the tiller to the Scooter deck, you must first remove the seat, rear shroud, and both batteries. See IX. "Disassembly and Assembly."*



Figure 13. Tiller Adjustment

## FRONT-TO-BACK SEAT ADJUSTMENT

The Celebrity is equipped with a sliding seat that is operated like an automobile seat. You can reposition the Celebrity's seat forward or rearward.

1. Pull up on the slider lever. See figure 14.
2. Move the seat forward or rearward.
3. Release the slider lever when the seat reaches the desired position.

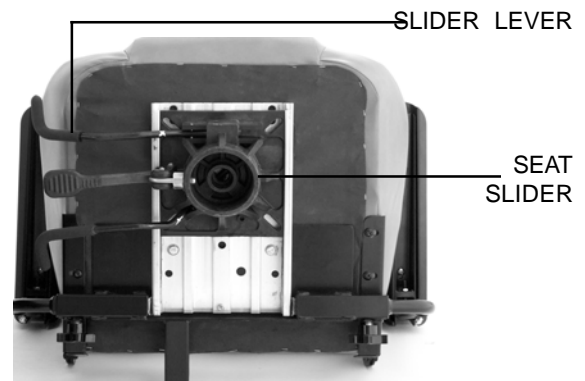


Figure 14. Front-To-Back Seat Adjustment

## SEAT HEIGHT ADJUSTMENT

The seat height can be adjusted pneumatically to any height between 17 inches and 20.5 inches from the Scooter deck.

1. To raise the seat, pull upward on the seat height adjustment lever while taking your weight off of the seat. See figure 15.
2. Release the seat height adjustment lever when the seat reaches the desired height.
3. To lower the seat, with your weight still on the seat, pull upward on the seat height adjustment lever.
4. Release the seat height adjustment lever when the seat reaches the desired height.

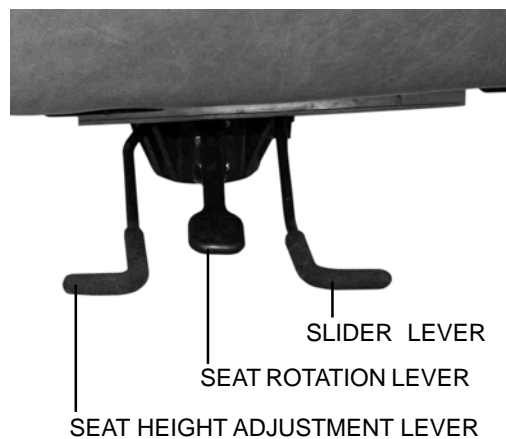


Figure 15. Seat Adjustments

## SEAT ROTATION

The seat rotation lever locks the seat in one of four positions.

1. Pull up on the seat rotation lever to unlock the seat. See figure 15.
2. Rotate the seat to the desired position.
3. Release the seat rotation lever to lock the seat securely in place.

## VIII. COMFORT ADJUSTMENTS

### ARMREST WIDTH ADJUSTMENT

The Celebrity armrest width can be adjusted inward or outward.

1. Loosen the armrest adjustment knobs at the back of the seat frame. See figure 16.
2. Slide the armrests in or out to the desired width.
3. Tighten the armrest adjustment knobs.

The armrests can also be lifted upward to allow getting on and off of your Celebrity easier.

### ARMREST HEIGHT ADJUSTMENT

Refer to figure 16 when adjusting the armrest height.

You will need the following tools to adjust the height of the armrests:

- 5/32-in. Hex Key
- 1/8-in. Hex Key
- 7/16-in. wrench

1. Loosen the setscrew on the side of the height adjustment tube with the 1/8-in. hex key. See figure 16.
2. Loosen and remove the acorn nut and screw holding the height adjustment tube in place.
3. Raise or lower the height adjustment tube to the desired height.
4. Align the holes in the adjustment tube with the holes in the armrest upright.
5. Insert the screw through the holes in both the height adjustment tube and the armrest upright.
6. Install and tighten the acorn nut.
7. Tighten the setscrew on the side of the height adjustment tube.
8. Repeat for the other armrest.

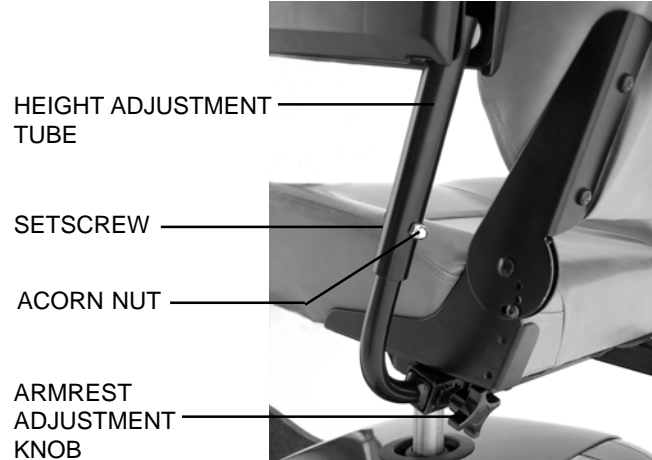


Figure 16. Armrest Height Adjustment

# VIII. COMFORT ADJUSTMENTS

## SEATBACK ADJUSTMENT

The seatback may be positioned to four different angles: 90°, 100°, 102° and 105°. See figure 16A.

To adjust the seatback angle:

1. Loosen and remove the adjustment screw from the seatback hinge on both sides of the seat.
2. Reposition the seatback to the desired angle.
3. Align the adjustment holes from the upper and lower hinge, so the adjustment screw can easily pass through.
4. Reinsert both adjustment screws and tighten.

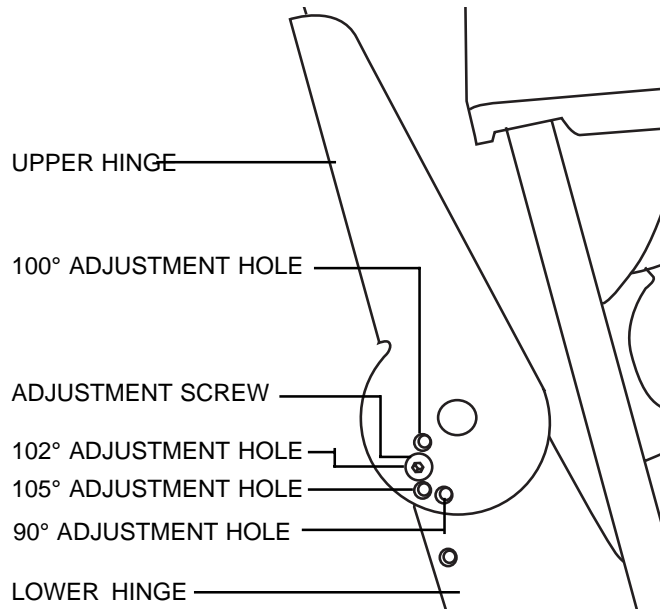


Figure 16A. Seatback Hinge

## POWER SEAT ACTUATOR (OPTIONAL)

Your Celebrity may be equipped with a power seat actuator, which raises and lowers the seat automatically. See figure 17.



**WARNING!** The power seat mechanism is intended for operation only while the vehicle is stationary and on a level surface. Its purpose is to aid you in reaching objects. Strict adherence to the following safety rules is vital to your safety: Do not attempt to raise or lower the seat while in motion! Do not operate your Scooter with the power seat elevated. It is recommended that the vehicle be driven only with the seat in the lowest position.



**WARNING!** Raising and lowering the power seat when traveling or when on an incline could cause the scooter to tip over, resulting in serious injury and/or scooter damage. Keep the power seat in its lowest position when traveling or when on an incline.



Figure 17. Power Seat Actuator (Optional)



# IX. DISASSEMBLY AND ASSEMBLY

No tools are required to disassemble or assemble your Celebrity. Always disassemble or assemble your Celebrity on a level, dry surface with sufficient room for you to work and move around your Scooter. Keep in mind that the disassembled sections of the Celebrity take up more floor space than the assembled Celebrity.

## DISASSEMBLY



**WARNING! Lifting weight beyond your physical capability may result in personal injury. Ask for assistance when necessary before assembling or disassembling your scooter.**

You can disassemble the Celebrity into seven pieces: the seat, the front section, the rear section, the rear shroud, the basket, and the batteries. Place the Scooter in an area where you have sufficient clearance to move the parts around. You need about four or five feet in all directions. You may need assistance to lift some of the Scooter components. See IV. "Specifications" for individual component weights.

1. Place the manual freewheel lever in the drive (down) position.
2. Coil the charger power cord and store it in the rear storage compartment. See figure 8.
3. Pull up on the seat rotation lever to unlock the seat. Rotate the seat one eighth of a turn, and lift the seat up and off the Celebrity. See figure 18.
4. Gently lift the rear shroud off of the Celebrity. See figure 19.
5. Disconnect the battery tie-down straps (if so equipped).
6. Unplug both black and white 2-pin battery harnesses. See figure 20.
7. Unplug the silver front-to-rear harness that connects the control console assembly to the rear electronics module. See figure 21.
8. Lift both batteries off the Celebrity. See figure 22.



**CAUTION! Failure to unplug both battery harnesses and the front-to-rear harness prior to disassembly could result in permanent damage to the Celebrity.**

9. Push the locking cam levers forward and remove the ball detent pins. See figures 23 and 24.
10. Gently slide the two sections of the Scooter apart. See figure 25.
11. Grab the handle grip on the tiller, pull upward on the tiller adjustment lever, and gently lower the tiller down to the center of the Celebrity chassis until it is fully lowered.

*Note: There is no need to disconnect the motor harness when disassembling the Celebrity. See figure 26.*



Figure 18. Seat Removal



Figure 19. Rear Shroud Removal

# IX. DISASSEMBLY AND ASSEMBLY

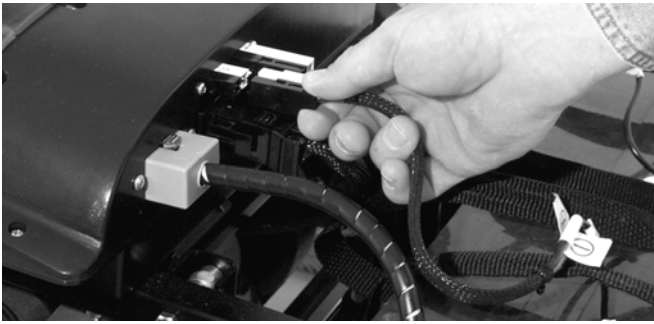


Figure 20. Disconnecting the Battery harnesses



Figure 21. Disconnecting the Front-to-Rear Cable



Figure 22. Battery Removal

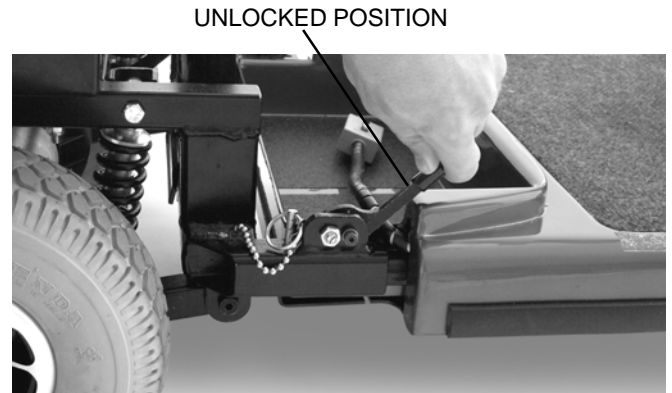


Figure 23. Locking Cam Levers

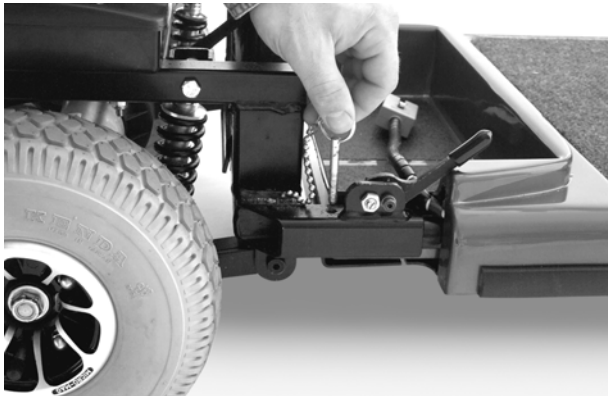


Figure 24. Ball Detent Pins With Rings



Figure 25. Separating The Frame Sections

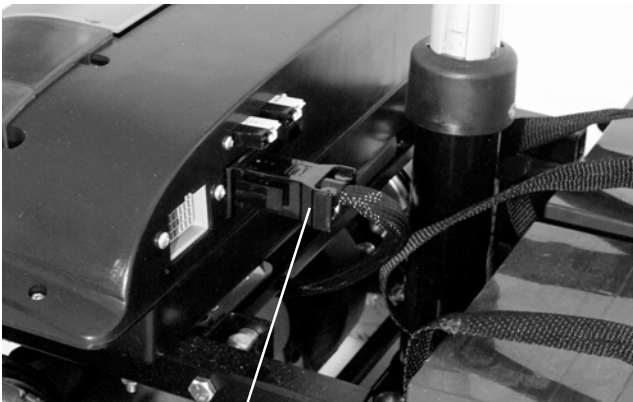


Figure 26. Motor Harness

# IX. DISASSEMBLY AND ASSEMBLY

## ASSEMBLY

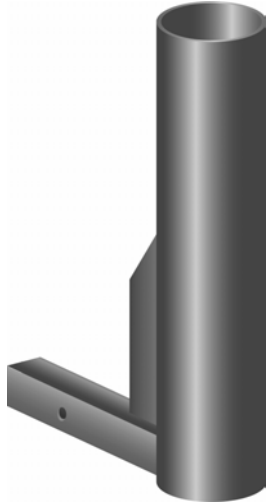
*NOTE: Raise the tiller before starting to assemble the Celebrity.*

1. Place the manual freewheel lever in the drive (down) position.
2. Position the front and rear sections next to each other.
3. Tilt the rear end to a horizontal position and insert the longer tube of the front end into the rear section first; make sure that the locking cam levers are in the unlocked (vertical) position and the ball detent pins are removed.
4. Slide the two sections of the unit together until the front half reaches its insertion limit.
5. Secure the front and rear sections with the ball detent pins.
6. Push the frame lock levers back to their locked (downward) position.
7. Plug the silver front-to-rear harness into the mating plug found on the rear electronics module.
8. Put the batteries in place and plug the black and white 2-pin battery harnesses into the rear electronics module.
9. Reconnect the battery tie-down straps (if so equipped).
10. Gently place the rear shroud over the pneumatic seat post.
11. Lower the shroud into place.
12. Carefully lift the seat and slide the seat platform (on the seat bottom) onto the seat pedestal.
13. Rotate the seat until it locks into place.

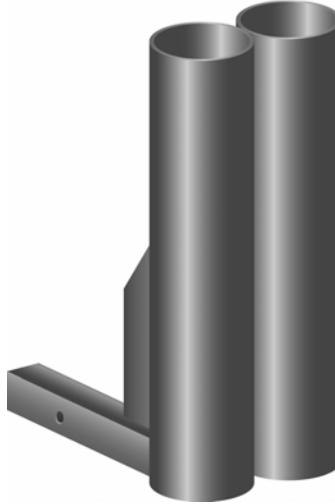
# X. OPTIONAL ACCESSORIES

## OPTIONAL ACCESSORIES

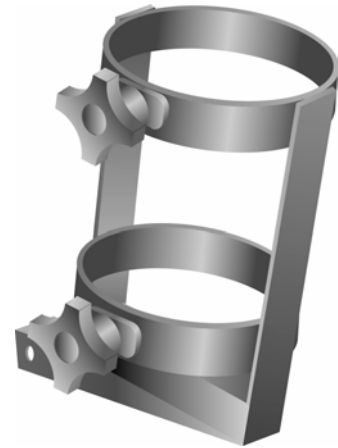
For information concerning these optional accessories, see your authorized Pride Provider.



• Single Cane/Crutch Holder



• Double Cane/Crutch Holder



• Oxygen Tank Holder



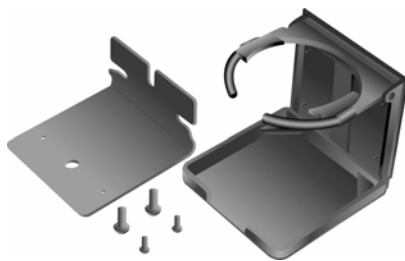
• Rear Basket



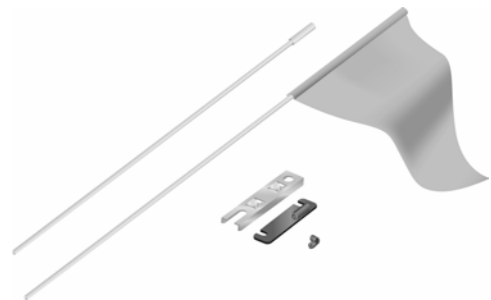
• Walker Holder



• Forearm Crutch Holder



• Cup Holder



• Safety Flag

# XI. BASIC TROUBLESHOOTING

Any electromechanical device occasionally requires some troubleshooting. However, most of the problems that may arise can usually be solved with a bit of thought and common sense. Many of these problems occur because the batteries are not fully charged or because the batteries are worn down and can no longer hold a charge.

## DIAGNOSTIC FLASH CODES

The diagnostic flash codes for your Celebrity are designed to help you perform basic troubleshooting quickly and easily. A diagnostic flash code will flash from the status LED in the event one of the conditions listed below develops.

*NOTE: Your Scooter will not run unless the flash code condition is resolved and the Scooter has been turned off then turned back on.*

FLASH CODE	CONDITION	SOLUTION
■            ■ ■ ■ ■	Batteries are too low to operate the Scooter or the charger is operating.	Charge batteries or unplug the charger power cord from the electrical outlet.
■ ■	Controller is hot; the Scooter seems to be losing power.	Shut down your Scooter for a minimum of several minutes to allow the controller to cool.
■ ■ ■            ■	Wigwag fault; your throttle control levers are not responding.	Call your authorized Pride provider for assistance.
■ ■ ■            ■ ■	The manual freewheel lever is in the (up) freewheel position.	Turn the Scooter key to the off position, then push the freewheel lever to the (down) drive position, restart your Scooter.
■            ■ ■ ■ ■ ■ ■	Scooter is operating with the charger attached.	Unplug the charger cord from the charger power cord receptacle.

### What if all the systems on my Celebrity seem to be “dead”?

- Make certain that the key is in the “on” position.
- Check that the batteries are fully charged. See VI. “Batteries and Charging.”
- Push in the the main circuit breaker reset button. See V. “Your Celebrity.”
- Make certain that both battery harnesses are firmly connected to the rear electronics module and to the battery terminals. See IX. “Disassembly and Assembly.”
- Make sure that the silver front-to-rear harness is firmly connected to the rear electronics module. See IX. “Disassembly and Assembly.”
- Be sure the auto shutoff feature hasn’t been activated. See VII. “Operation.”
- Check the fuses. See XII. “Care and Maintenance” for fuse replacement.

### What if the motor runs but my Celebrity does not move?

- With the key turned to the “on” position, check the status LED. If the LED flashes three times, a short pause, then two times, this is the manual freewheel lever code and means your Celebrity is in manual freewheel mode.
- When the manual freewheel lever is pulled up, the brakes are disengaged and all power to the transaxle is cut.
- Push down the manual freewheel lever to restore normal operation to your Celebrity. See V. “Your Celebrity.”

## XI. BASIC TROUBLESHOOTING

**What if the main circuit breaker repeatedly trips? See V. “Your Celebrity.”**

- Charge the Celebrity’s batteries more frequently. See VI. “Batteries and Charging.”
- If the problem continues, have both of your Celebrity’s batteries load tested by your authorized Pride Provider.
- You may also perform the load test yourself. Battery load testers are available at most automotive parts stores.
- Follow the directions supplied with the load tester.
- See VI. “Batteries and Charging” or IV. “Specifications” for information about your Celebrity’s battery type.

**What if the battery condition meter dips way down and the motor surges or hesitates when I press my Celebrity’s throttle control lever? (See V. “Your Celebrity.”)**

- Fully charge your Celebrity’s batteries. See VI. “Batteries and Charging.”
- Have your authorized Pride Provider load test each battery.
- Or, see the previous troubleshooting question for load testing the batteries yourself.

If you experience any problems with your Celebrity that you are not able to solve, immediately contact your authorized Pride Provider for information, maintenance, and service.

## XII. CARE AND MAINTENANCE

Your scooter requires a minimal amount of care and maintenance. If you do not feel confident in your ability to perform the maintenance listed below, you may schedule inspection and maintenance at your authorized Pride Provider. The following areas require periodic inspection and/or care and maintenance.

### TIRE PRESSURE

- If equipped with pneumatic tires, always maintain a proper **30-35 psi** tire pressure.



**WARNING! It is important that 30-35 psi tire pressure be maintained in pneumatic tires at all times. Do not underinflate or overinflate your tires. Low pressure may result in loss of control, and overinflated tires may burst. Failure to maintain 30-35 psi tire pressure in pneumatic tires at all times may result in tire and/or wheel failure, causing serious personal injury and/or damage to your scooter.**

- Regularly inspect your scooter's tires for signs of wear.

### EXTERIOR SURFACES

Bumpers, tires, trim, and the tiller boot can benefit from an occasional application of rubber or vinyl conditioner.



**WARNING! Do not use a rubber or vinyl conditioner on the scooter's vinyl seat or tire tread. They will become dangerously slippery and result in personal injury and/or damage to your scooter.**

### BATTERY TERMINAL CONNECTIONS

- Make certain that the terminal connections remain tight and uncorroded.
- The batteries must sit flat in the battery wells.
- The battery terminals should face the rear of the scooter.

### WIRING HARNESSES

- Regularly check all wiring connections.
- Regularly check all wiring insulation, including the charger power cord, for wear or damage.
- Have your authorized Pride Provider repair or replace any damaged connector, connection, or insulation that you find before using your scooter again.

### ABS PLASTIC SHROUDS

- The front tiller shroud, front shroud, and the rear shroud are formed from durable ABS plastic and are coated with an advanced formula urethane paint.
- A light application of car wax will help the shrouds retain their high gloss.

### AXLE BEARINGS AND THE MOTOR/TRANSAXLE ASSEMBLY

These items are all prelubricated, sealed, and require no subsequent lubrication.

### MOTOR BRUSHES

The motor brushes are housed inside of the motor transaxle/assembly. They should be inspected periodically for wear by your authorized Pride Provider.

## XII. CARE AND MAINTENANCE

### CONSOLE, CHARGER, AND REAR ELECTRONICS

- Keep these areas free of moisture.
- Allow these areas to dry thoroughly if they have been exposed to moisture before operating your scooter again.

### FUSE REPLACEMENT

In the event a fuse should cease to work:

- Remove the fuse by pulling it out of its slot.
- Examine the fuse to be sure it is blown.
- Insert a new fuse of the proper rating.



**WARNING! The replacement fuse must exactly match the rating of the new fuse. Failure to use properly rated fuses may cause damage to the electrical system and may result in personal injury.**

### LIGHTBULB REPLACEMENT

The scooter's light bulbs are easily replaceable. Do not use regular automotive-type 12-volt light bulbs; your scooter is equipped with a 24-volt electrical system. Replacement light bulbs can be purchased from your authorized Pride Provider.

*NOTE: Use only 24 volt light bulbs.*

- Remove the light cover.
- Gently remove the bulb by pulling it straight out.
- Insert a new bulb of the same wattage.
- Replace the light cover.

### STORING YOUR SCOOTER

If you plan on not using your scooter for an extended period of time, it is best to:

- Fully charge its batteries prior to storage.
- Disconnect the batteries from the scooter.
- Store your scooter in a warm, dry environment.
- Avoid storing your scooter where it will be exposed to temperature extremes.



**WARNING! Always protect batteries from freezing temperatures and never charge a frozen battery. This damages the battery and can cause personal injury.**

For prolonged storage, you may wish to place several boards under the frame of your scooter to raise it off of the ground. This takes the weight off the tires and reduces the possibility of flat spots developing on the areas of the tires contacting the ground.



# XIII. WARRANTY

## THREE-YEAR LIMITED WARRANTY

Three years on all structural frame components; including platform, fork, seat post, and frame.

Three-year prorata drive train warranty; including transaxle, motor, and brake.

- First year: 100% replacement of parts cost
- Second year: 67% replacement of parts cost
- Third year: 50% replacement of parts cost

## THREE-YEAR WARRANTY EXCEPTIONS

**Transaxle:** In cases where there is an increase in the operational noise level, the warranty does not apply. (The increase in operational noise level usually occurs due to abusive and excessive strain on the scooter.)

**Motor brake:** Three-year warranty for the electrical function of the motor brake. Brake pads are a wear item and are not warranted.

## ONE-YEAR LIMITED WARRANTY

For one (1) year from the date of purchase, Pride will repair or replace at our option to the original purchaser, free of charge, any part or electronic component found upon examination by an authorized representative of Pride to be defective in material and/or workmanship.

The battery is warranted by the battery manufacturer. The battery is not warranted by Pride.

Warranty service can be performed by Pride or by an authorized Pride Provider. Do not return faulty parts to Pride without prior consent. All transportation costs and shipping damage incurred while submitting parts for repair or replacement are the responsibility of the original purchaser.

## WARRANTY EXCLUSIONS

- ABS plastic shrouds and footrest covers (wear items and not warranted)
- Batteries (the battery manufacturer provides a limited warranty)
- Tires and tire tubes (wear items and not warranted)
- Upholstery and seating (wear items and not warranted)
- Repairs and/or modifications made to any part of the scooter without specific and prior consent from Pride
- Circumstances beyond the control of Pride
- Damage caused by: battery fluid spillage or leakage, abuse, misuse, accident, or negligence, improper operation, maintenance, or storage, commercial use or use other than normal
- Labor, service calls, shipping, and other charges incurred for repair of the product

There is no other express warranty.

Implied warranties, including those of merchantability and fitness for a particular purpose, are limited to one (1) year from the date of original purchase and to the extent permitted by law. Any and all implied warranties are excluded. This is the exclusive remedy. Liabilities for consequential damages under any and all warranties are excluded.

Some states do not allow limitations on how long an implied warranty lasts or do not allow the exclusion of limitation of incidental or consequential damages. So, the above limitation or exclusion may not apply to you.

# NOTES



**Pride**  
*Mobility Products Corp.*

**182 Susquehanna Ave.  
Exeter, PA 18643  
1-800-800-8586**

**[www.pridemobility.com](http://www.pridemobility.com)**