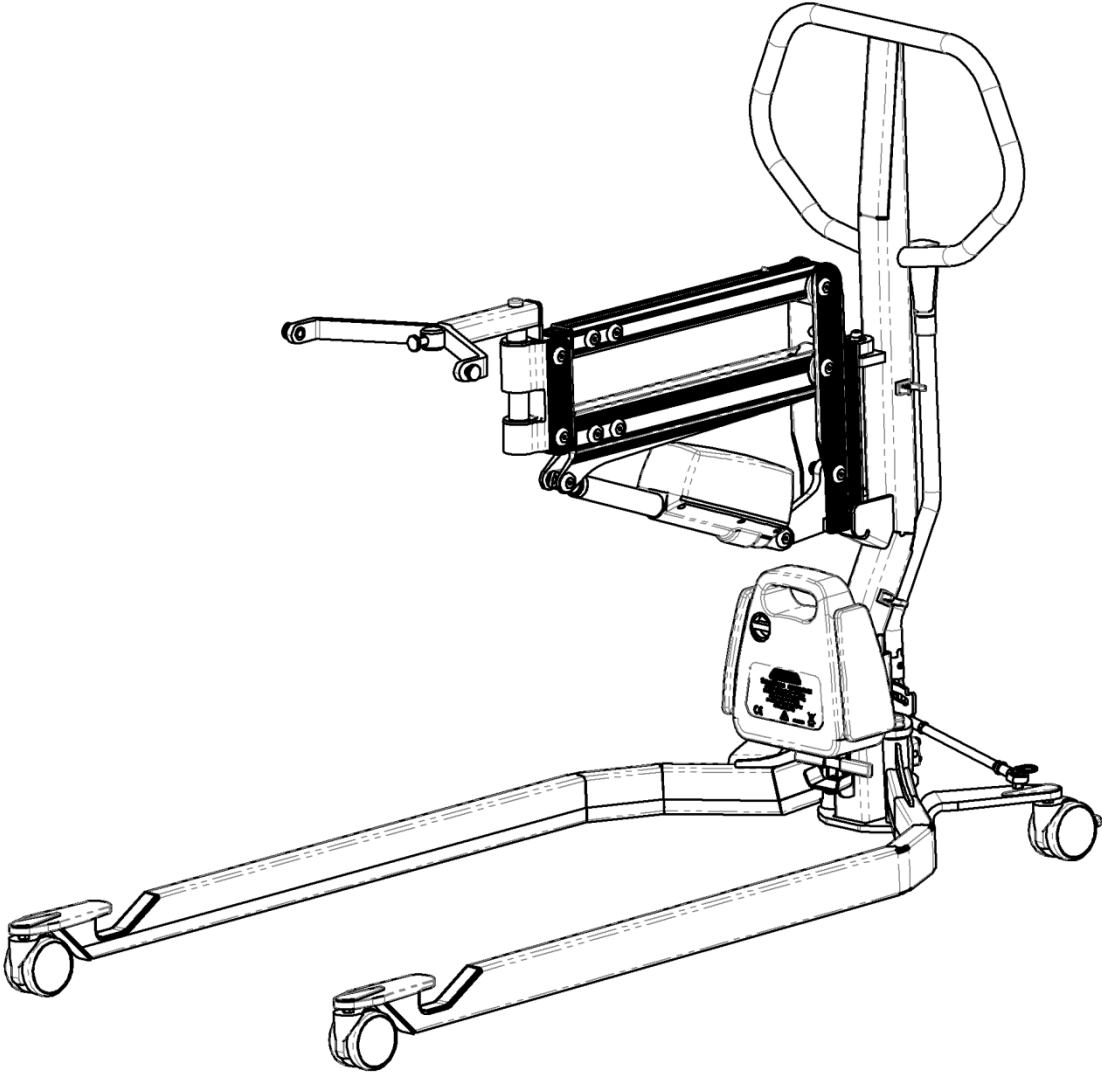


MILFORD SMARTBASE



OWNER'S MANUAL

AFFIX BARCODE LABEL
HERE

SAFETY GUIDELINES



WARNING! Carefully read instructions for the Milford SmartBase and Milford Person Lift before use. Lifting and transferring a person always presents a potential risk. A thorough understanding of the contents of this instruction guide is essential. If using for the first time, try without an occupant until confident in the safe operation of the SmartBase.

The symbols below are used throughout this owner's manual and on the product to identify warnings and important information. It is very important for you to read and understand them completely.



WARNING! Indicates a potentially hazardous condition/situation. Failure to follow designated procedures can cause either personal injury, component damage, or malfunction. On the product, this icon is represented as a black symbol on a yellow triangle with a black border.



MANDATORY! These actions should be performed as specified. Failure to perform mandatory actions can cause personal injury and/or equipment damage. On the product, this icon is represented as a white symbol on a blue dot with a white border.



PROHIBITED! These actions are prohibited. These actions should not be performed at any time or in any circumstances. Performing a prohibited action can cause personal injury and/or equipment damage. On the product, this icon is represented as a black symbol with a red circle and red slash.

Please fill out the following information for quick reference:

Pride Provider: _____

Address: _____

Phone Number: _____

Purchase Date: _____ **Serial Number:** _____

***NOTE:** This owner's manual is compiled from the latest specifications and product information available at the time of publication. We reserve the right to make changes as they become necessary. Any changes to our products may cause slight variations between the illustrations and explanations in this manual and the product you have purchased. The latest/current version of this manual is available on our website.*

***NOTE:** This product is compliant with WEEE, RoHS, and REACH directives and requirements.*

***NOTE:** The Milford Person Lift and its components are not made with natural rubber latex. Consult with the manufacturer regarding any after-market accessories.*



Copyright © 2013
Autochair Ltd.
1234155/Rev C/August 2014

Manufactured By:
Autochair Ltd
Wood Street North
Meadowlane Ind. Est.
Alfreton
Derbyshire, DE55 7JR
UK

Distributed By:
Pride Mobility Product, Corp.
182 Susquehanna Avenue
Exeter
PA 18643-2694
USA

CONTENTS

I. INTRODUCTION	4
II. SAFETY	5
III. TECHNICAL	9
IV. OPERATION	12
V. TROUBLESHOOTING	17
VI. CARE AND MAINTENANCE	18
VII. WARRANTY	19

II. SAFETY

Welcome to Pride Mobility Products. Congratulations on the purchase of your new SmartBase. The SmartBase design combines a practical solution to using your Milford Person Lift indoors, with modern, attractive styling.

At Pride, your safety is important to us. Please read and follow all instructions in this manual before operating your SmartBase system for the first time. These instructions were produced for your benefit. Your understanding of these instructions is essential for the safe operation of your new SmartBase system.

Pride is not liable for damage to property or personal injury arising out of the unsafe use of the SmartBase. Pride is also not liable for any property damage or personal injury arising out of the failure of any person and/or user to follow the instructions and recommendations set forth in this manual or any other instructions or recommendations contained in other lift system related literature issued by Pride or contained on the SmartBase system itself.

INTERNET AND PRIVATE PURCHASES

If you purchased your product over the Internet or from a previous owner and you have any questions about the safe use and/or maintenance of the product, please visit the Pride web page at www.pridemobility.com or contact your authorized Pride Provider.

PURCHASER'S AGREEMENT

By accepting delivery of this product, you promise that you will not change, alter, or modify this product or remove or render inoperable or unsafe any guards, shields, or other safety features of this product; fail, refuse, or neglect to install any retrofit kits from time to time provided by Pride to enhance or preserve the safe use of this product.

SHIPPING AND DELIVERY

Before using your SmartBase, make sure your delivery is complete as some components may be individually packaged. If you do not receive a complete delivery, please contact your Pride Provider immediately. Where damage has occurred during transport, either to the packaging or content, please contact the delivery company responsible.

INFORMATION EXCHANGE

We want to hear your questions, comments, and suggestions about this manual. We would also like to hear about the safety and reliability of your new SmartBase, and about the service you received from your authorized Pride Provider.

Please notify us of any change of address, so we can keep you apprised of important information about safety, new products, and new options that could improve your ability to use and enjoy your lift SmartBase. Please feel free to contact us at the address below:

USA:

Pride Mobility Products Corporation
182 Susquehanna Ave.
Exeter, PA 18643-2694

Canada:

Pride Mobility Products Company
5096 South Service Road
Beamsville, Ontario L0R 1B3

NOTE: If you ever lose or misplace your copy of this manual, contact us and we will be glad to send you a new one immediately.

PRODUCT SAFETY SYMBOLS

The symbols below are used on the lift system to identify warnings and mandatory or prohibited actions. It is very important for you to read and understand them completely.



Read and follow the information in the owner's manual.



Maximum lifting capacity.



Pinch/Crush points created during assembly and/or operation. Keep hands/fingers away from moving components during operation.



Battery posts, terminals and related accessories contain lead and lead compounds. Wear goggles and gloves when handling batteries and wash hands after handling.



Disposal and recycling - Contact your authorized Pride Provider for information on proper disposal of your Pride product and its packaging.



Built for indoor operation.

II. SAFETY

WEIGHT LIMITATIONS

The Milford SmartBase is designed for a maximum user weight of 330lbs (150 kg). The maximum lifting capacity of the Milford Person Lift is determined by the setting of the Milford Person Lift and may be lower than this capacity. Please refer to the Technical section on page 11 for details.



MANDATORY! Stay within the specified weight capacity of the lift system. Exceeding the weight capacity voids your warranty. Pride will not be held responsible for injuries and/or property damage resulting from failure to observe weight limitations.

NON-PRIDE PRODUCTS

Only use the Milford Person Lift with the Milford SmartBase. Other lift systems may cause the Milford SmartBase to become unstable.

Use only the sling provided with the Milford Person Lift. Other slings by different manufacturers may have a different balance point, different attachment points and will not be suitable for use with this type of device. Pride accepts no liability for damage or injury caused by the use of inappropriate slings.

PRE-LIFT INSPECTION

There should be no sharp edges on either the Milford SmartBase or the spreader bar. If you find any sharp edges, please contact your supplier before use.

Please make sure that you are completely happy with the operation of your Milford SmartBase before operating it yourself. Misuse of the product could result in injury.

Inspect the sling and straps before every use for twisting, fraying or signs of wear. If signs of wear become evident, have the sling replaced by your authorized Pride provider. Check that the buckles have not moved and that the positioning of the person being lifted is correct at the start of the lift. Refer to the technical section for the correct method of threading the straps through the buckles to avoid slipping.



WARNING! A frayed or worn strap can snap, resulting in injury to the person being lifted and/or the operator. Do not use a damaged sling.

OPERATOR POSITIONING

Keep hands clear of the lift arms during motion.

II. SAFETY

KEY SAFETY POINTS



WARNING! The purpose of the Milford SmartBase is to transfer a person simply, safely and with a degree of comfort, from a mobility product to a seat and *vice versa*. It must not be used for any other purpose.



WARNING! Ensure all straps are set correctly. All metal clips are positively located on their lugs before lifting. Do not lift/lower at the same time as moving the SmartBase.



WARNING! Keep hands, clothing and electrical cord of hand control clear of all moving parts during lifting/lowering operations. The handset can be placed on top of the lift arm when not in use. Do not use the handset whilst it is attached to the body of the lift.



WARNING! Avoid catching the handset cord in moving parts, resulting in damage to the cord and loss of hoist function.



WARNING! Avoid getting the electrical connection and vicinity wet. Never immerse the battery in water.



WARNING! Never use a system that has signs of damage.



WARNING! Do not exceed maximum lifting capacity.



WARNING! NEVER LEAVE A PERSON UNATTENDED IN A LIFTING SITUATION.



WARNING! The SmartBase is intended for **INDOOR USE ONLY**.



WARNING! The SmartBase is **NOT** intended to be used for direct transfer to a vehicle, the Milford Person Lift must be installed in the vehicle for vehicle transfers.

Your Milford SmartBase should be inspected at least every year by a qualified person.

II. SAFETY



BEFORE USING THE LIFT, MAKE CERTAIN THAT;

- **The lift is assembled according to the instructions**
- **Lifting equipment is properly mounted on the lift**
- **The batteries have been charged for at least 6 hours**
- **All manuals have been carefully studied and fully understood**
- **Persons using the equipment have received appropriate instructions and training**
- **That, in each individual lifting situation, you have the correct type, size, material and design of slings and accessories to safely meet the patient's needs**

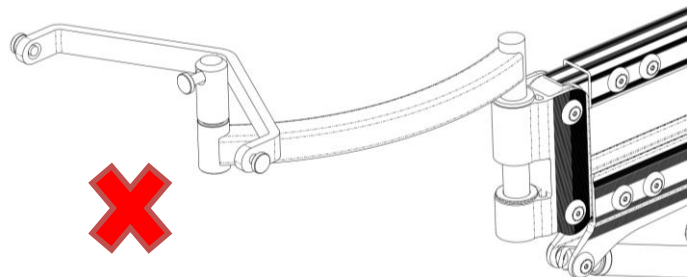
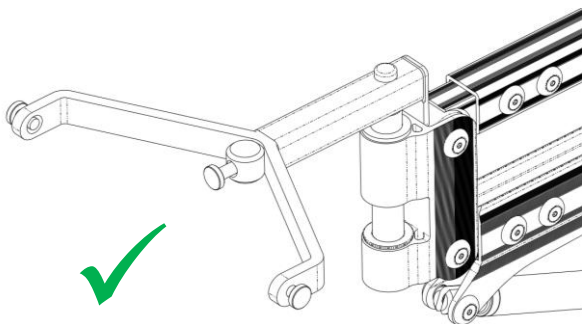


BEFORE LIFTING, ALWAYS MAKE CERTAIN THAT;

- **The lift and lifting accessories are not damaged**
- **The lifting accessory is correctly and securely applied to the person being lifted, so there is no risk of injury**
- **The spreader bar is correctly applied to the lifting equipment**
- **The legs have been set and locked in an operating position**
- **The key hole plates are correctly attached to the spreader bar. This should be checked when beginning to lift the person – when the straps are taut, but before the patient is lifted from the underlying surface**



WARNING! Do not use the extension arm and spreader bar supplied with the Milford Person Lift when using the Milford Person Lift with the SmartBase. USE ONLY the spreader bar supplied with the SmartBase. Using the incorrect spreader bar may cause the lift to become unstable and tip, potentially causing injury to the person being lifted and the person operating the lift.



III. TECHNICAL

PRODUCT DESCRIPTION

The Milford SmartBase is a versatile mobile lift that is light, portable and designed so that it can be quickly and easily folded up and stored when not in use and for ease of transport.

The Milford SmartBase is only intended for use in conjunction with the Milford Person Lift.

It is intended for use in the most common lifting situations, e.g., for transfers from one seated position to another. Its features include electric raising and lowering as well as mechanical hand-operated base width adjustment.

An individually tested and correctly adjusted sling and other accessories are essential for proper function and safety in connection with use of the lift.

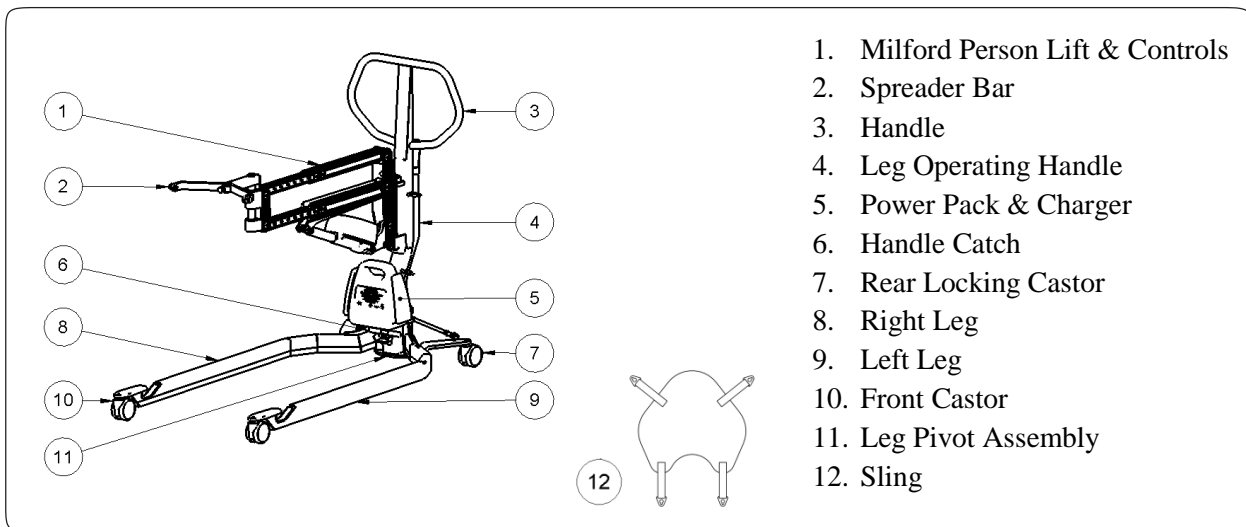
The base is made of shaped steel sections and great care has been taken to eliminate excess weight. Total weight with battery is 28 kg (62 lbs).

It can be disassembled in five pieces; handle, operating handle, spreader bar, base unit and electrical unit. No part weighs more than 18 kg (40 lbs).

This unit can be disassembled further only by an appropriately qualified and competent person, removing the legs from the leg pivot assembly.

SmartBase is CE certified and approved for a maximum load of 150 kg (330 lbs.). This maximum load will vary depending on the Milford Person Lift set up. Further details are provided in this section.

DEFINITIONS



III. TECHNICAL

TECHNICAL DATA (When used with the Milford Person Lift)

- Lifting Speed:** Approx. 40 seconds full lift cycle (loaded)
- Batteries:** 1 pcs. 12V 8Ah sealed lead-acid, maintenance free, spill-proof, rechargeable battery
- Battery Charger:** Wall-socket type, Input – 100-240VAC, 50-60Hz, 0.3A. Output – 12VDC 1A.
- Motor:** 12V 15A max. linear actuator, push only with safety nut.
- (Milford Person Lift)**
- Castors:** Front: 3” (75mm) twin, swivel.
Rear: 3” (75mm) twin, swivel, with brake.
- Weight:** Base: 38.5lbs (17.5kg).
Lift Mast: 16.5lbs (7.5kg)
Control Unit incl. Power Pack and hand control: 6.6lbs (3kg)
- Material:** Steel
- Emergency Lowering:** Alternative electrical control
- Intermittent operation:** Int. Op. 10/90, active operation 2min. every 18min.
- Degree of Protection:** IP42

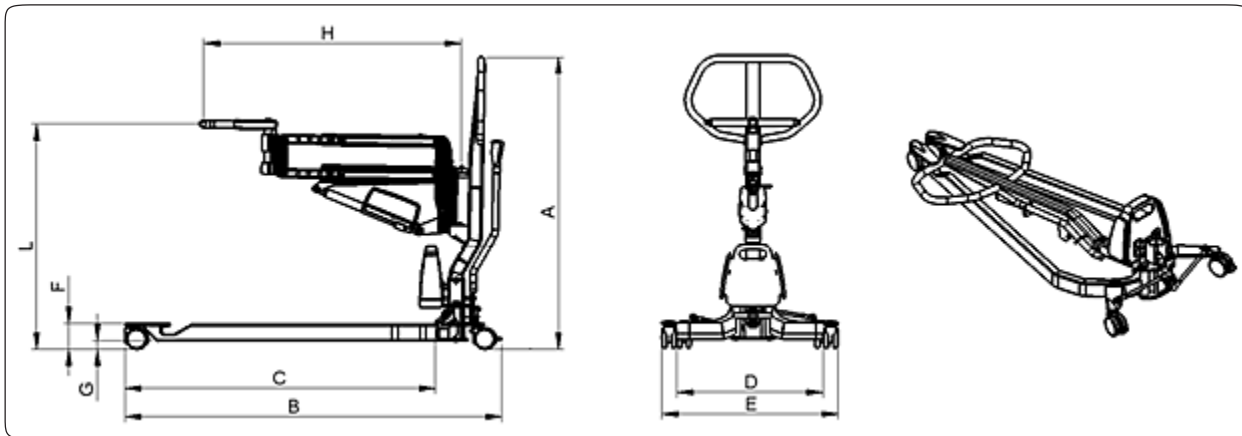


Type B, according to the degree of protection against electrical shock.



Class II equipment.

MEASUREMENTS



Milford Setting	Lift L		A	B	C	D	E	F	G	H		Weight (Excludes Milford) Kg (lbs.)	Turning Diameter
	Max	Min								Max	Min		
	Retracted	48 (121)								32 (82)	42 (107)		
Extended	56 (141)	32 (82)	42 (107)	54 (137)	44 (113)	21-37 (53-95)	25-40 (64-102)	4 (9.5)	1 (30)	42 (106)	28 (72)	28 (62)	54-57 (138-144)

Imperial = inches
(Metric = cm)

III. TECHNICAL

MILFORD PERSON LIFT WEIGHT LIMITS

The Milford Person Lift has different lifting capacities depending on the extension settings. Use the table below to determine the maximum lift capacity for your Milford Person Lift;

Extension Setting	Lift (Inches)	lbs.	kg
Maximum Extension	23.6	260	118
5 Holes Visible	22.3	268	122
4 Holes Visible	21	280	127
3 Holes Visible	19.7	291	132
2 Holes Visible	18.4	304	138
1 Hole Visible	17.1	317	144
Minimum Extension	15.8	330	150

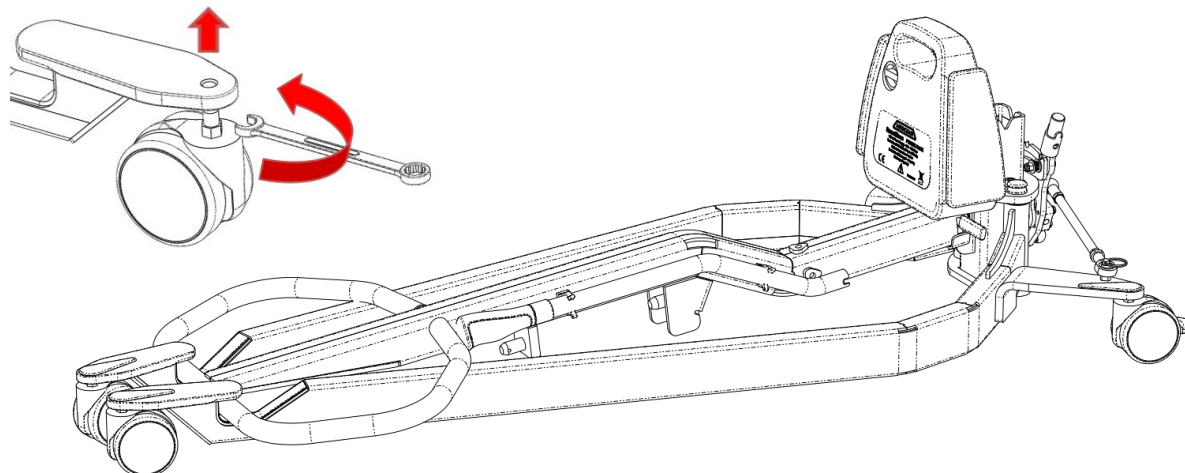
UNPACKING AND INITIAL ASSEMBLY

The Milford SmartBase packaging will contain the following items.

- Base Unit
- 2 x Front Castors (Without brakes)
- 2 x Rear Castors (With Brakes)
- 1 x Spreader Bar
- 1 x PowerPack
- 1 x Charger
- Owner's Manual

Unpack all the parts and check that there has been no damage in transit.

Using a 12mm A/F spanner, fit the castors to complete the assembly as shown below;



Front Castors

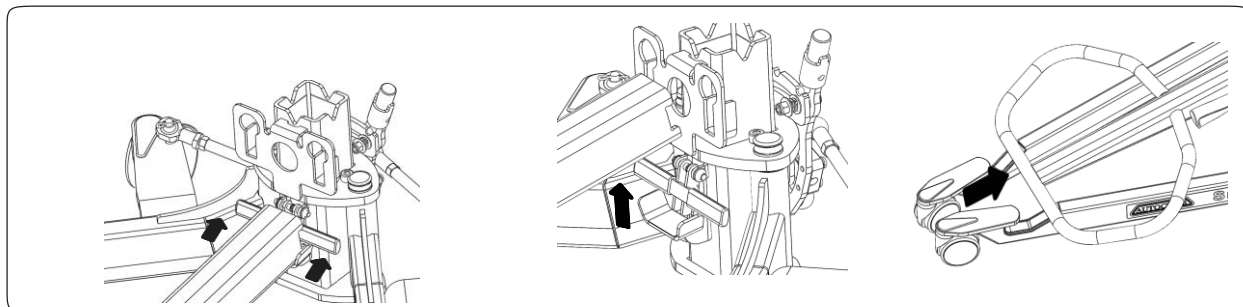
Rear Castors

IV. OPERATION

ASSEMBLY INSTRUCTIONS

Before assembling, make sure you have the following parts:

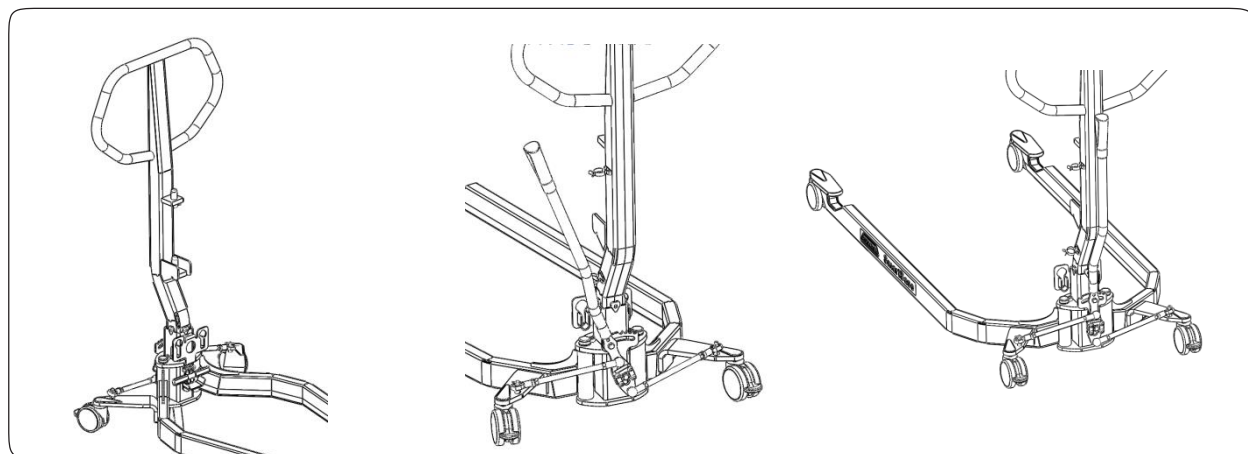
- Milford Person Lift
- Main Handle
- Leg Operating Handle
- Spreader Bar
- Power Pack (Charged)
 - Hand control with cable
 - Leg & Pivot Assembly
 - Charger



1. Release the Handle Catch

2. Lift the back of the Handle from the cradle.

3. Slide the Handle out from the legs and lift.

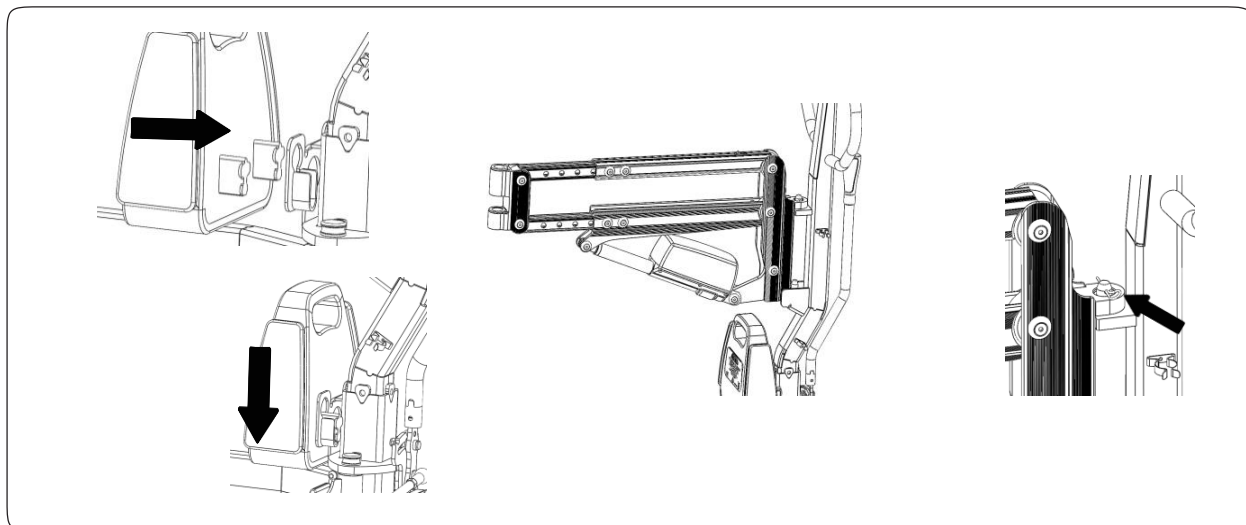


4. Fit the handle into the Pivot Assembly as in the diagram above

5. Fit the leg operating handle into the Pivot Assembly as in the diagram above.

6. Pull the handle toward you and move the legs to the centre position (The handle will be in line with the post). When the handle is released it will spring back into a locking hole. The legs will now be parallel, this is the narrowest position which can be used to carry a person.

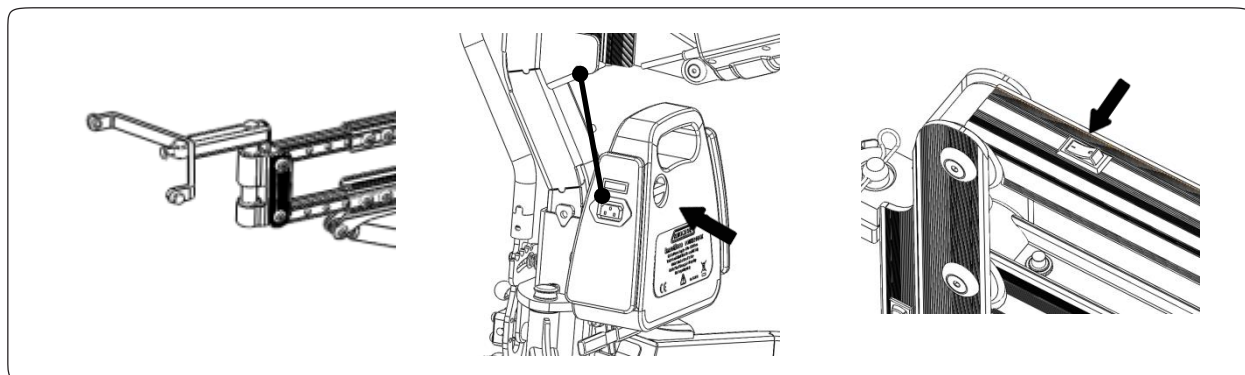
IV. OPERATION



7. Fit the Power Pack

8. Fit the Milford. Rest on lower pin first then align top pin and lower. Ensure both pins are fully engaged.

9. Fit the R-Clip into the top pin.



10. Fit the Spreader Bar. Securely fitting the anti-rotation plate into the Milford Person Lift. Check the spreader bar then cannot rotate.

11. Plug the Milford into the PowerPack and switch on. Note that the fuse is located above the socket on the PowerPack

12. Switch on the Milford. (Refer to Milford instructions)

After assembling, check to make sure that:

- the spreader bar and Milford are seated correctly.
- the lifting motion coincides with the indicators on the hand control (up/down)
- the Leg Operating Handle moves the legs in and out.
- the emergency lowering device functions properly (mechanical and electrical)
- the wheel brakes function correctly
- the LED lamp on the Power Pack and Handset lights when on.

IV. OPERATION

USING THE LIFT

Operate SmartBase using the pushbuttons on the Milford Person Lift hand control.

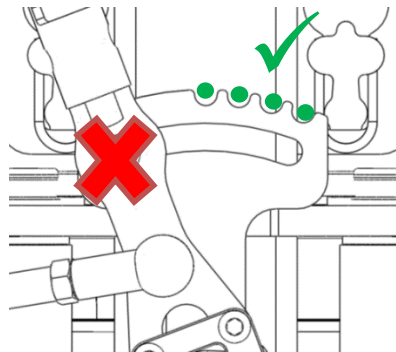
For raising and lowering the spreader bar:

Press up and down respectively.

Directional arrows on each button show the direction of movement (up/down). The lift stops when you release the buttons.

Base-width adjustment

Base-width adjustment is done manually with the Leg Operating Handle. Pull the handle away from the post to release locking pin. Then push to the right side to widen the base and the left side to make it narrower. Only use the four positions to the right for the Leg Operating Handle when the SmartBase is occupied, otherwise the hoist may become unstable.



Electrical Emergency Lowering

The lift arm can be lowered electrically by pressing the switch marked “down” on the emergency controls.



Refer to the Milford Person Lift instructions!

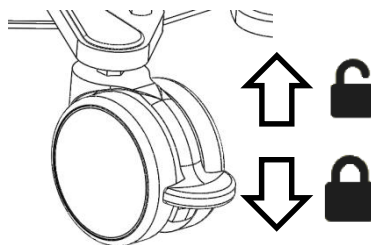
Emergency stop

For emergency stop: Switch the main switch off on the Milford Person Lift.

To release/reset: Change the switch back to the on position.

Locking the wheels

To lock wheels step on the small pedal on the back of the wheel. The wheel locks for lateral movement. In most lifting situations, the wheels need not be locked. We recommend that the wheels be locked only when there is a risk of personal injury in the event that the lift begins to roll, e.g., when using on a slight gradient. To release wheel brake, lift the pedal or press the extended block above the pedal.



Locked wheels during lifting increases the risk of the lift tilting over.

Never pull the lift by the Milford Person Lift! This may result in damage to the lift, tipping of the lift and possible injury.

IV. OPERATION

CHARGING THE BATTERY

The battery is capable of more than 30 lifts on a full charge depending on the load. The Lift speed will start slowing down when it is running low on charge.

There is a pushbutton on the front of the Power Pack. Press this to check the charge level; it should illuminate green to indicate a full charge level. The unit requires a full charge when the indicator illuminates red.

When charging from the mains socket the battery level light will illuminate red.

A full charge will take 24 hours.

Never charge for more than 36 hours.

Always switch the unit off when not in use.

For maximum battery life, batteries must be charged regularly. We recommend charging every night after using the lift. The battery charges fully in 24 hours but a top-up charge overnight should be sufficient.

It is recommended to charge the unit in an upright position.

NOTE! A red indicator lamp on the control box lights constantly during charging.

If the charge level indicator will not turn green after a full charge the battery will need replacing. Discontinue charging and replace battery.

Never charge batteries in a wet area!



Old batteries are to be given to authorized Pride Provider, or disposed of at the nearest recycling station.

NOTE! A red indicator lamp on the control box lights constantly during charging.

IV. OPERATION

DISASSEMBLY AND TRANSPORT

The dismantling of the SmartBase is principally the reverse of the assembly procedure. The slight differences are described here.

Before starting ensure the Milford is fully lowered.

Switch the Milford Person Lift off.

Switch the Power Pack off.

Disconnect the Milford Person lift power cable.

Remove the Power Pack.

Remove the Spreader Bar, the R-Clip and Milford Person Lift and pack using the bag provided.

Move the legs to the closed position by moving the Leg Operating Handle fully to the left.

Remove the Leg Operating Handle and stow on the main Handle using the clips provided.

Lift the Handle assembly from the Base and position the handle into the cut-outs in the legs. The mounting pins should be face down. Slide the Handle forward then position the back into the stow cradle. Ensure the latch engages and the Handle is locked in position.

The Handle can now be used to lift the front and wheel the unit along on the back castors.



V. TROUBLESHOOTING

TROUBLESHOOTING & FREQUENTLY ASKED QUESTIONS

PROBLEM	SUGGESTIONS
The lift does not work (up/down)	<ol style="list-style-type: none">1. Check that the emergency switch is not in the off position.2. Check that the cables to the handset are connected.3. Check the battery charge level (see display on control box).4. Check the battery is connected to the Milford Person Lift.5. Check the emergency control switch operates the lift.6. If the lift still does not work satisfactorily, contact your authorized Pride Provider.7. Check the fuse in the side of the battery.
Battery charging does not work	<ol style="list-style-type: none">1. Check that the charger is plugged into the wall socket and switched on.2. Check that the battery charger jack is correctly fitted in the Power Pack.3. <i>If the charger still does not work satisfactorily contact your authorized Pride Provider.</i>
The lift stops in the elevated position	<ol style="list-style-type: none">1. Check that the emergency switch is not in the off position.2. Check that the handset has not been disconnected.3. Use the emergency control switch.4. Check that the battery is charged.5. <i>If the lift still does not work satisfactorily, contact your authorized Pride Provider.</i>
If you hear unusual sounds during the lift	<i>Contact your authorized Pride Provider.</i>

VI. CARE AND MAINTENANCE

The following routine maintenance should be performed at the indicated intervals. Failure to perform the maintenance procedures at the required intervals may void Pride's product warranty.

Perform prior to daily use:

- Visually inspect the lift and check for external damage or wear.
- Check the condition of the sling paying particular attention to the buckles and connectors.
- Check the handset and the lift movements.
- Check the emergency lowering function.
- Check the wheels and brakes.

Perform at least every 6 months:

Inspect all mounting hardware and lift pivots for defects and a secure fit. Any hardware found to be loose should be tightened or replaced if necessary. If in doubt contact your authorized Pride Dealer.

Perform every 12 months:

- It is recommended that the Milford SmartBase is serviced every year by your authorized Pride Dealer.

Cleaning:

If required the Milford SmartBase can be cleaned with a damp cloth and detergent.

Do not use chemicals containing phenol or chlorine, since this may damage the coated finish.

Do not immerse in water.

Storage

During transportation, or when the lift is not to be used for some time, the Power Pack should be switched off. Store the SmartBase at a temperature exceeding freezing point and at normal relative humidity.

VII. WARRANTY

The warranty period for the Milford SmartBase is 12 months from the date of installation.

This warranty **will cover** any **defects of workmanship or function**.

The warranty **does not cover** any incorrectly assembled SmartBase or one with damaged mechanical or electrical components due to **incorrect use or damage**.

The warranty does not cover consequential loss, unless regional law requires it.

No alteration should be made to the Milford SmartBase by anyone other than a qualified person, as defined by an authorized Pride Dealer.

In the event of damage or defects in the actuator, the Milford SmartBase should be returned to your authorized Pride Dealer for evaluation.

Please keep a note of the following:

Serial Number: _____

Date Supplied: _____

Details of the Supplier (Stamp): _____

Zip Code: _____

Tel: _____

NOTES



Pride® Lifts & Ramps