

Z-Chair



OWNER'S MANUAL

Pride
Mobility Products Corp.
www.pridemobility.com

1-800-800-8586 (US) 1-888-570-1113 (Canada)

SAFETY GUIDELINES



WARNING! An authorized Pride Provider or a qualified technician must perform the initial setup of this power chair and must perform all of the procedures in this manual.

The symbols below are used throughout this owner's manual and on the Z-Chair to identify warnings and important information. It is very important for you to read them and understand them completely.



WARNING! Indicates a potentially hazardous condition/situation. Failure to follow designated procedures can cause either personal injury, component damage, or malfunction. On the product, this icon is represented as a black symbol on a yellow triangle with a black border.



MANDATORY! These actions should be performed as specified. Failure to perform mandatory actions can cause personal injury and/or equipment damage. On the product, this icon is represented as a white symbol on a blue dot with a white border.



PROHIBITED! These actions are prohibited. These actions should not be performed at any time or in any circumstances. Performing a prohibited action can cause personal injury and/or equipment damage. On the product, this icon is represented as a black symbol with a red circle and red slash.

Authorized Pride Provider: _____

Address: _____

Phone Number: _____

Purchase Date: _____

NOTE: This owner's manual is compiled from the latest specifications and product information available at the time of publication. We reserve the right to make changes as they become necessary. Any changes to our products may cause slight variations between the illustrations and explanations in this manual and the product you have purchased. The latest/current version of this manual is available on our website.



ACN 088 609 661

C O N T E N T S

I. INTRODUCTION.....	4
II. SAFETY	5
III. YOUR Z-CHAIR	17
IV. ASSEMBLY/DISASSEMBLY	20
V. COMFORT ADJUSTMENTS.....	23
VI. BATTERIES AND CHARGING	25
VII. CARE AND MAINTENANCE	30
VIII. WARRANTY	35
APPENDIX I - SPECIFICATIONS	37

I . I N T R O D U C T I O N

SAFETY

WELCOME to Pride Mobility Products Corporation (Pride). The travel chair you have purchased combines state-of-the-art components with **safety**, comfort, and styling in mind. We are confident that these design features will provide you with the conveniences you expect during your daily activities. Once you understand how to **safely** operate and care for your travel chair, it should give you years of trouble free operation and service.

Read and follow all instructions, warnings, and notes in this manual before attempting to operate your travel chair for the first time. You must also read all instructions, warnings, and notes contained in any supplemental instructional booklets for the controller, front riggings, and/or seating system that accompanied your travel before initial operation. Your **safety** depends upon you, as well as your provider, caretaker, or healthcare professional in using good judgement.

If there is any information in this manual which you do not understand, or if you require additional assistance for setup or operation, please contact your authorized Pride Provider. **Failure to follow the instructions in this manual and those located on your Z-Chair can lead to personal injury and/or damage to the travel chair, including voiding the warranty.**

PURCHASER'S AGREEMENT

By accepting delivery of this product, you promise that you will not change, alter, or modify this product or remove or render inoperable or unsafe any guards, shields, or other safety features of this product; fail, refuse, or neglect to install any retrofit kits from time to time provided by Pride to enhance or preserve the safe use of this product.

SHIPPING AND DELIVERY

Before using your travel chair, make sure your delivery is complete as some components may be individually packaged. If you do not receive a complete delivery, please contact your authorized Pride Provider immediately. Where damage has occurred during transport, either to the packaging or content, please contact the delivery company responsible.

INFORMATION EXCHANGE

We want to hear your questions, comments, and suggestions about this manual. We would also like to hear about the safety and reliability of your new travel chair, and about the service you received from your authorized Pride Provider.

Please notify us of any change of address, so we can keep you apprised of important information about safety, new products, and new options that can increase your ability to use and enjoy your travel chair. Please feel free to contact us at the address below:

USA:

Pride Mobility Products Corporation
Attn.: Customer Care Department
182 Susquehanna Avenue
Exeter, PA 18643-2694
customercare@pridemobility.com
1-800-424-8205

Canada:

Pride Mobility Products Company
380 Vansickle Road Unit 350
St. Catharines, Ontario L2R 6P7
1-888-570-1113

NOTE: If you ever lose or misplace your product registration card or your copy of this manual, contact us and we will be glad to send you a new one immediately.

II. SAFETY

PRODUCT SAFETY SYMBOLS

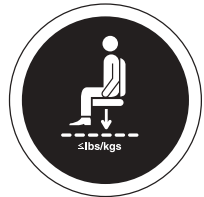
The symbols below are used on the travel chair to identify warnings, mandatory actions, and prohibited actions. It is very important for you to read and understand them completely.



Read and follow the information in the owner's manual.



Do not allow unsupervised children to play near the travel chair while the batteries are charging.



Maximum seating weight.



Keep your hands away from the tires when driving. Be aware that loose fitting clothing can become caught in drive tires.



Use correct tie-down points for controller harness to prevent the harness from getting caught in the drive tires, pinched in the seat frame, or damaged when passing through doorways.



Do not use a cell phone, walkie/talkie, laptop, or other radio transmitter while operating.



Avoid exposure to rain, snow, ice, salt, or standing water whenever possible. Maintain and store in a clean and dry condition.

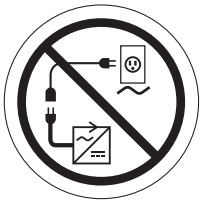
II. SAFETY



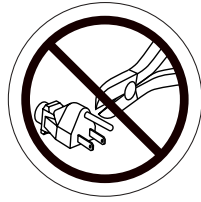
Do not lift the mobility product while seated in it.



Do not lift the mobility product while seated in it.



Do not connect an extension cord to the AC/DC converter or the battery charger.



Removal of grounding prong can create electrical hazard. If necessary, properly install an approved 3-pronged adapter to an electrical outlet having 2-pronged plug access.



Do not remove anti-tip wheels.



Wear safety goggles.



Corrosive chemicals contained in battery.



EMI-RFI - This product has been tested and passed at an immunity level of 20 V/m.

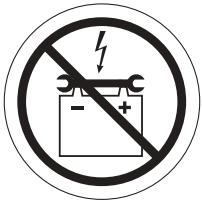
II. SAFETY



Explosive conditions exist!



Use only AGM or Gel-Cell batteries to reduce the risk of leakage or explosive conditions.



Keep tools and other metal objects away from battery terminals.



Do not use batteries with different amp-hour (Ah) capacities. Do not mix old and new batteries. Always replace both batteries at the same time.



Battery charger for indoor use only.



Disposal and Recycling - Contact your authorized Pride Provider for information on proper disposal and recycling of your Pride product and its packaging.



Contains Lead.

II. SAFETY



Locked and in drive mode.

Place unit on level ground and stand to one side when changing from drive mode to freewheel mode or freewheel mode to drive mode.

Unlocked and in freewheel mode.



Do not place your travel chair in freewheel mode while on a decline.



Do not place your travel chair in freewheel mode while on an incline.

II. SAFETY

SAFETY



MANDATORY! Do not operate your new Z-Chair for the first time without completely reading and understanding this owner's manual.

Your Z-Chair is a state-of-the-art life-enhancement device designed to increase mobility. Pride provides an extensive variety of products to best fit the individual needs of the Z-Chair user. Please be aware that the final selection and purchasing decision regarding the type of power chair to be used is the responsibility of the Z-Chair user, who is capable of making such a decision, and his/her healthcare professional (i.e., medical doctor, physical therapist, etc.).

The contents of this manual are based on the expectation that a mobility device expert has properly fitted the Z-Chair to the user and has assisted the prescribing healthcare professional and/or the authorized Pride Provider in the instruction process for the use of the product.

There are certain situations, including some medical conditions, where the Z-Chair user will need to practice operating the Z-Chair in the presence of a trained attendant. A trained attendant can be defined as a family member or care professional specially trained in assisting a Z-Chair user in various daily living activities.

As you begin using your Z-Chair during daily activities, you will probably encounter situations in which you will need some practice. Simply take your time and you will soon be in full and confident control as you maneuver through doorways, on and off of elevators, up and down ramps, and over moderate terrain.

Below are some precautions, tips, and other safety considerations that will help you become accustomed to operating the Z-Chair safely.

Modifications

Pride has designed and engineered your Z-Chair to provide maximum mobility and utility. A wide range of accessories is available from your authorized Pride Provider to further customize your Z-Chair to better suit your needs and/or preferences. However, under no circumstances should you modify, add, remove, or disable any feature, part, or function of your Z-Chair.



WARNING! Do not modify your Z-Chair in any way not authorized by Pride. Do not use accessories if they have not been tested or approved for Pride products.

Pre-Ride Safety Check

Get to know the feel of your Z-Chair and its capabilities. Pride recommends that you perform a safety check before each use to make sure your Z-Chair operates smoothly and safely.

Perform the following inspections prior to using your Z-Chair:

- Check for proper tire inflation. Maintain but do not exceed the psi/bar/kPa air pressure rating indicated on each tire if equipped with pneumatic tires.
- Check all electrical connections. Make sure they are tight and not corroded.
- Check all controller connections to the power base. Make sure they are secured properly.
- Check the brakes. See VII. "Care and Maintenance."
- Check battery charge. See VI. "Batteries and Charging."

NOTE: *If you discover a problem, contact your authorized Pride Provider for assistance.*

II. SAFETY

Weight Limitations

Your Z-Chair is rated for a maximum weight capacity. Please refer to the specifications table for this limit.



MANDATORY! Stay within the specified weight capacity of your Z-Chair. Exceeding the weight capacity voids your warranty. Pride will not be held responsible for injuries and/or property damage resulting from failure to observe weight limitations.



WARNING! Do not carry passengers on your Z-Chair. Carrying passengers on your Z-Chair may affect the center of gravity, resulting in a tip or a fall.

Tire Inflation

If your Z-Chair is equipped with pneumatic tires, you should check or have the air pressure checked at least once a week. Proper inflation pressures will prolong the life of your tires and help ensure the smooth operation of your Z-Chair.



WARNING! It is important that the psi/bar/kPa air pressure rating indicated on each tire be maintained in pneumatic tires at all times. Do not underinflate or overinflate your tires. Low pressure may result in loss of control, and overinflated tires may burst. Failure to maintain the psi/bar/kPa air pressure rating indicated on the pneumatic tires at all times may result in tire and/or wheel failure.

WARNING! Inflate your Z-Chair drive tires from a regulated air source with an available pressure gauge. Inflating your tires from an unregulated air source could overinflate them, resulting in a burst tire.

NOTE: If the tires on your travel chair list the psi rating only, use the following conversion formulas to find the bar or kPa rating: $bar = psi \times 0.06895$; $kPa = psi \times 6.89476$.

Incline Information

More and more buildings have ramps with specified degrees of inclination, designed for easy and safe access. Some ramps may have turning switchbacks (180-degree turns) that require you to have good cornering skills on your Z-Chair.

- Proceed with extreme caution as you approach the downgrade of a ramp or other incline.
- Take wide swings with your travel chair's front wheels around any tight corners. If you do that, the travel chair's rear wheels will follow a wide arc, not cut the corner short, and not bump into or get hung up on any railing corners.
- When driving down a ramp, keep the travel chair's speed adjustment set to the slowest speed setting to ensure a safely controlled descent.
- Avoid sudden stops and starts.

When climbing an incline, try to keep your Z-Chair moving. If you must stop, start up again slowly and then accelerate cautiously. When driving down an incline, set your Z-Chair to the slowest setting and drive in the forward direction only. If your Z-Chair starts to move down the incline faster than you anticipated or desired, allow it to come to a complete stop by releasing the joystick, then push the joystick forward slightly to ensure a safely controlled descent.



WARNING! When on any sort of an incline or decline, never place the Z-Chair in freewheel mode while seated on it or standing next to it.

WARNING! When climbing an incline, do not zigzag or drive at an angle up the face of the incline. Drive your Z-Chair straight up the incline. This greatly reduces the possibility of a tip or a fall. Always exercise extreme caution when negotiating an incline.



WARNING! You should not travel up or down a potentially hazardous incline (i.e., areas covered with snow, ice, cut grass, or wet leaves).

WARNING! Never travel down an incline backwards. Doing so may cause the Z-Chair to tip. Always exercise extreme caution when negotiating an incline.

II. SAFETY

WARNING! If your Z-Chair is equipped with a reclining seatback, do not attempt to negotiate inclines with the seat in a reclined position. Do not attempt to negotiate obstacles with the seat in a reclined position unless an attendant is present to help stabilize the chair. Failure to heed could result in the Z-Chair tipping over.



WARNING! Even though your Z-Chair is capable of climbing slopes greater than those illustrated in figure 1, do not, under any circumstances, exceed the incline guidelines or any other specifications presented in this manual. Doing so could cause instability in your Z-Chair.

Pride recommends that the maximum slope of an incline you attempt to safely ascend or descend on your Z-Chair does not exceed 5° (8.7%). See figure 1.



WARNING! Any attempt to climb or descend a slope steeper than 5° (8.7%) may put your Z-Chair in an unstable position and cause it to tip.

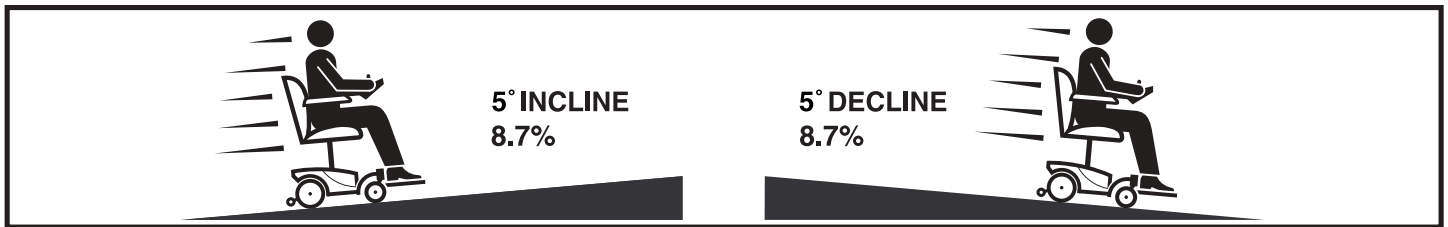


Figure 1. Maximum Safe Incline/Decline Angles

Freewheel Mode

Your Z-Chair is equipped with two manual freewheel levers to allow for manual maneuverability by a trained attendant. For more information about how to place your Z-Chair into and out of freewheel mode, see III. “Your Z-Chair.”



WARNING! Do not use your Z-Chair in freewheel mode without an attendant present.

WARNING! Do not attempt to personally place your Z-Chair in freewheel mode while seated on it. Ask an attendant for assistance if necessary.



WARNING! Do not place your Z-Chair in freewheel mode while on an incline or decline. This could cause the chair to roll uncontrollably on its own.

Braking Information

Your Z-Chair is equipped with two powerful brake systems:

- Regenerative — uses electricity to rapidly slow the vehicle when the joystick returns to the center/stop position.
- Disc Park Brake — activates mechanically after regenerative braking slows the vehicle to near stop, or when power is removed from the system for any reason.

Cornering Information

While your Z-Chair is equipped with two front caster wheels and two rear anti-tip wheels, excessively high cornering speeds can still create the possibility of tipping. Factors which affect the possibility of tipping include, but are not limited to: cornering speed, steering angle (how sharply you are turning), uneven road surfaces, inclined road surfaces, riding from an area of low traction to an area of high traction (such as passing from a grassy area to a paved area – especially at high speed while turning), and abrupt directional changes. High cornering speeds are not recommended. If you feel that you may tip over in a corner, reduce your speed and steering angle (i.e., lessen the sharpness of the turn) to prevent your Z-Chair from tipping.



WARNING! When cornering sharply, reduce your speed and maintain a stable center of gravity. This greatly reduces the possibility of a tip or fall.

II. SAFETY

Public Streets and Roadways



WARNING! You should not operate your Z-Chair on public streets and roadways. Be aware that it may be difficult for traffic to see you when you are seated on your Z-Chair. Obey all local pedestrian traffic rules. Wait until your path is clear of traffic, and then proceed with extreme caution.

Outdoor Driving Surfaces

Your Z-Chair is designed to provide optimum stability under normal driving conditions—dry, level surfaces composed of concrete, blacktop, or asphalt. However, Pride recognizes that there will be times when you will encounter other surface types. For this reason, your Z-Chair is designed to perform admirably on packed soil, grass, and gravel. Feel free to use your Z-Chair safely on lawns and in park areas.

- Reduce your travel chair's speed when driving on uneven terrain and/or soft surfaces.
- Avoid tall grass that can entangle the running gear.
- Avoid loosely packed gravel and sand.
- If you feel unsure about a driving surface, avoid that surface.

Inclement Weather Precautions

Exposure of your Z-Chair to inclement weather conditions should be avoided whenever possible. If suddenly caught up in rain, snow, severe cold or heat while operating your Z-Chair, proceed to shelter at the earliest opportunity. Thoroughly dry your Z-Chair before storing, charging, or operating your Z-Chair.



PROHIBITED! Operating in rain, snow, salt, mist/spray conditions, and on icy/slippery surfaces can have an adverse effect on the electrical system. Maintain and store your Z-Chair in a dry and clean condition.



WARNING! Prolonged exposure to hot or cold conditions may affect the temperature of upholstered and non-upholstered items on the travel chair, possibly resulting in skin irritation. Exercise caution when using the Z-Chair in extremely hot or cold conditions or when exposing your Z-Chair to direct sunlight for prolonged periods of time.

Stationary Obstacles (Steps, Curbs, etc.)

Proceed with extreme caution when driving near raised surfaces, unprotected ledges and/or drop-offs (curbs, porches, stairs, etc.). Be sure your Z-Chair is traveling perpendicular to any curb you may be required to navigate. See figure 2.



WARNING! Do not attempt to have your Z-Chair climb or descend an obstacle that is higher than 1 in. (2.54 cm) unless you have the assistance of an attendant.

WARNING! Do not attempt to have your Z-Chair proceed backwards down any step, curb, or other obstacle. This may cause the Z-Chair to tip.

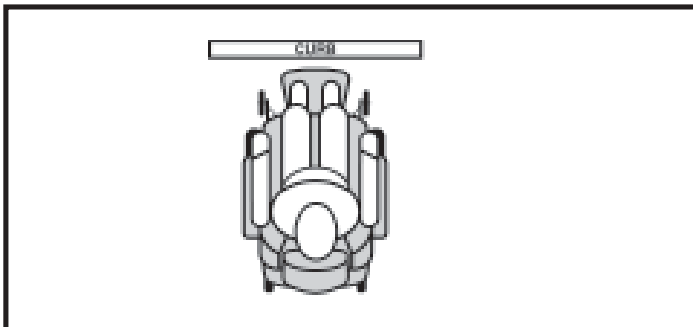


Figure 2. Correct Curb Approach



Figure 3. Incorrect Curb Approach

II. SAFETY

Stairs and Escalators

Travel chairs are not designed to travel up or down stairs or escalators. Always use an elevator.



WARNING! Never use your Z-Chair to negotiate steps or escalators.

Doors

- Determine if the door opens toward or away from you.
- Drive your Z-Chair gently and slowly forward to push the door open, or drive your Z-Chair gently and slowly backwards to pull the door open.

Elevators

Modern elevators have a door edge safety mechanism that, when pushed, reopens the elevator door(s).

- If you are in the doorway of an elevator when the door(s) begin to close, push on the rubber door edge or allow the rubber door edge to contact the Z-Chair and the door will reopen.
- Use care that pocketbooks, packages, or Z-Chair accessories do not become caught in elevator doors.

Lift/Elevation Products

If you will be traveling with your Z-Chair, you may find it necessary to use a lift/elevation product to aid in transportation. Pride recommends that you closely review the instructions, specifications, and safety information set forth by the manufacturer of the lift/elevation product before using that product.



WARNING! Never sit on your power chair when it is being used in connection with any type of lift/elevation product. Your power chair was not designed with such use in mind and any damage or injury incurred from such use is not the responsibility of Pride.

Motor Vehicle Transport

Pride recommends that you do not remain seated in your Z-Chair while traveling in a motor vehicle. The Z-Chair should be stowed in the trunk of a car or in the back of a truck or van with the batteries removed and properly secured.

WARNING! Do not sit on your Z-Chair while it is in a moving vehicle.



WARNING! Always be sure your Z-Chair and its batteries are properly secured when it is being transported. Batteries should be secured in an upright position and protective caps should be installed on the battery terminals. Batteries should not be transported with any flammable or combustible items.

Positioning Belts

Your authorized Pride Provider, therapist(s), and other healthcare professionals are responsible for determining your requirement for a positioning belt in order to operate your travel chair safely.



WARNING! If you require a positioning belt to safely operate your Z-Chair, make sure it is fastened securely in order to reduce the possibility of a fall from the Z-Chair.

WARNING! The positioning belt is not designed for use as a seat belt in a motor vehicle.

II. SAFETY

Batteries

In addition to following the warnings below, be sure to comply with all other battery handling information. For more information about your power chair's batteries, see VI. "Batteries and Charging."



MANDATORY! Battery posts, terminals, and related accessories contain lead and lead compounds. Wear goggles and gloves when handling batteries and wash hands after handling.

WARNING! Z-Chair batteries are heavy. See specifications table. If you are unable to lift that much weight, be sure to get help. Use proper lifting techniques and avoid lifting beyond your capacity.



WARNING! Always protect the batteries from freezing and never charge a frozen battery. Charging a frozen battery may result in damage to the battery.

WARNING! Connect your battery harnesses in the proper manner. RED (+) cables must be connected to positive (+) battery terminals/posts. BLACK (-) cables must be connected to negative (-) battery terminals/posts. Protective caps should be installed over all battery terminals. REPLACE cables immediately if damaged.

Removable Parts



WARNING! Do not attempt to lift or move a Z-Chair by any of its removable parts, including the armrests, seat, foot riggings, controller, and shrouds.

Preventing Unintended Movement



WARNING! If you anticipate being seated in a stationary position for an extended period of time, turn off the power. This will prevent unexpected motion from inadvertent joystick contact. This will also eliminate the possibility of unintended chair movement from electromagnetic (EM) sources.

Reaching and Bending

Never reach, lean, or bend while driving your Z-Chair. If it is absolutely necessary to reach, lean, or bend while seated on your Z-Chair, it is important to maintain a stable center of gravity and keep the Z-Chair from tipping. Pride recommends that the Z-Chair user determine his/her personal limitations and practice bending and reaching in the presence of a qualified healthcare professional.



WARNING! Keep your hands away from the tires when driving. Be aware that loose fitting clothing can become caught in drive tires.



WARNING! Do not bend, lean, or reach for objects if you have to pick them up from the floor by reaching down between your knees or if you have to reach over the back of the seat. Movements such as these may change your center of gravity and the weight distribution of the travel chair. This may cause your Z-Chair to tip.

II. SAFETY

Transfers

Transferring onto and off of your Z-Chair requires a good sense of balance. Always have an attendant or healthcare professional present while learning to properly transfer yourself.

To eliminate the possibility of injury, Pride recommends that you or a trained attendant perform the following tasks before attempting a transfer:

- Turn off the power to the controller.
- Ensure your Z-Chair is not in freewheel mode. See III. “Your Z-Chair.”
- Turn both caster wheels toward the transfer destination to improve Z-Chair stability during transfer.
- Make sure both armrests are flipped up or removed from your Z-Chair.
- Move the foot rigging out of the way; this will help to keep your feet from getting caught on the foot rigging during the transfer.
- Reduce the distance between your Z-Chair and the object you are transferring onto.

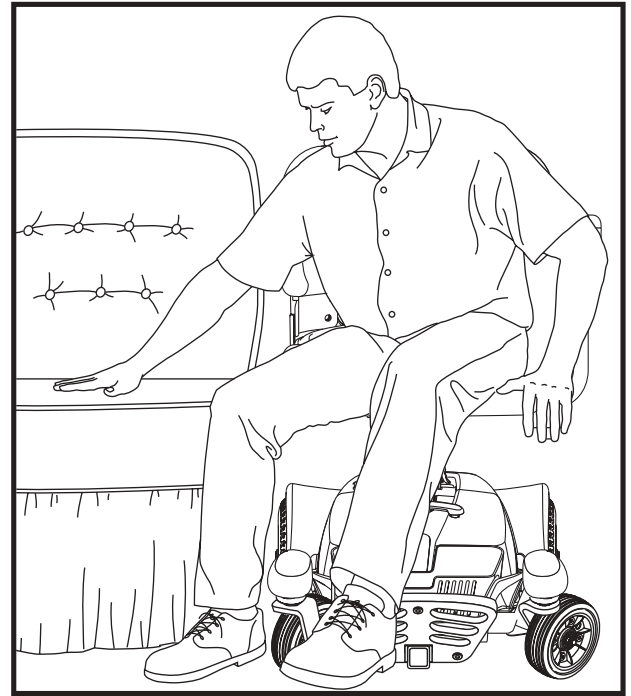


Figure 4. Ideal Transfer Position

WARNING! Before transferring, position yourself as far back as possible in the Z-Chair seat to prevent the Z-Chair from tipping forward during transfer.



WARNING! Avoid putting all of your weight on the Z-Chair armrests and do not use the armrests for weight bearing purposes, such as transfers. Such use may cause the Z-Chair to tip, resulting in a fall from the travel chair and personal injury.

WARNING! Avoid putting all of your weight on the foot riggings. Such use may cause the Z-Chair to tip.

Prescription Drugs/Physical Limitations

Users must exercise care and common sense when operating a Z-Chair. This includes awareness of safety issues when taking prescribed or over-the-counter drugs or when the user has specific physical limitations.



WARNING! Consult your physician if you are taking prescribed or over-the-counter medication or if you have certain physical limitations. Some medications and limitations may impair your ability to operate your Z-Chair in a safe manner.

II. SAFETY

Alcohol/Smoking

The Z-Chair user must exercise care and common sense when operating his/her Z-Chair. This includes awareness of safety issues while under the influence of alcohol or while smoking.

WARNING! Do not operate your Z-Chair while you are under the influence of alcohol, as this may impair your ability to operate your Z-Chair in a safe manner.



WARNING! Pride strongly recommends that you do not smoke cigarettes while seated in your Z-Chair, although the travel chair has passed the necessary testing requirements for cigarette smoking. You must adhere to the following safety guidelines if you decide to smoke cigarettes while seated in your Z-Chair.

- Do not leave lit cigarettes unattended.
- Keep ashtrays a safe distance from the seat cushions.
- Always make sure cigarettes are completely extinguished before disposal.

Electromagnetic and Radio Frequency Interference (EMI/RFI)



WARNING! Laboratory tests have shown that electromagnetic and radio frequency waves can have an adverse affect on the performance of electrically-powered mobility vehicles.

Electromagnetic and Radio Frequency Interference can come from sources such as cellular phones, mobile two-way radios (such as walkie-talkies), radio stations, TV stations, amateur radio (HAM) transmitters, wireless computer links, microwave signals, paging transmitters, and medium-range mobile transceivers used by emergency vehicles. In some cases, these waves can cause unintended movement or damage to the control system. Every electrically-powered mobility vehicle has an immunity (or resistance) to EMI. The higher the immunity level, the greater the protection against EMI. This product has been tested and has passed at an immunity level of 20 V/m.



WARNING! Be aware that cell phones, two-way radios, laptops and other types of radio transmitters may cause unintended movement of your electrically-powered mobility vehicle due to EMI. Exercise caution when using any of these items while operating your mobility vehicle and avoid coming into close proximity of radio and TV stations.



WARNING! The addition of accessories or components to the electrically-powered mobility vehicle can increase the susceptibility of the vehicle to EMI. Do not modify your travel chair in any way not authorized by Pride.

WARNING! The electrically-powered mobility vehicle itself can disturb the performance of other electrical devices located nearby, such as alarm systems.

NOTE: For further information on EMI/RFI, go to the Resource Center on www.pridemobility.com. If unintended motion or brake release occurs, turn your travel chair off as soon as it is safe to do so. Call Pride at 800-424-8205 to report the incident.

III. YOUR Z-CHAIR

THE Z-CHAIR

The Z-Chair has two main assemblies: the seat assembly and the power base assembly. See figure 5. Typically, the seat assembly includes the armrests, seatback, and seat base. The power base assembly includes two motors, two drive wheels, two caster wheels, two anti-tip wheels, two batteries, and a foot platform. See figures 5 and 6.

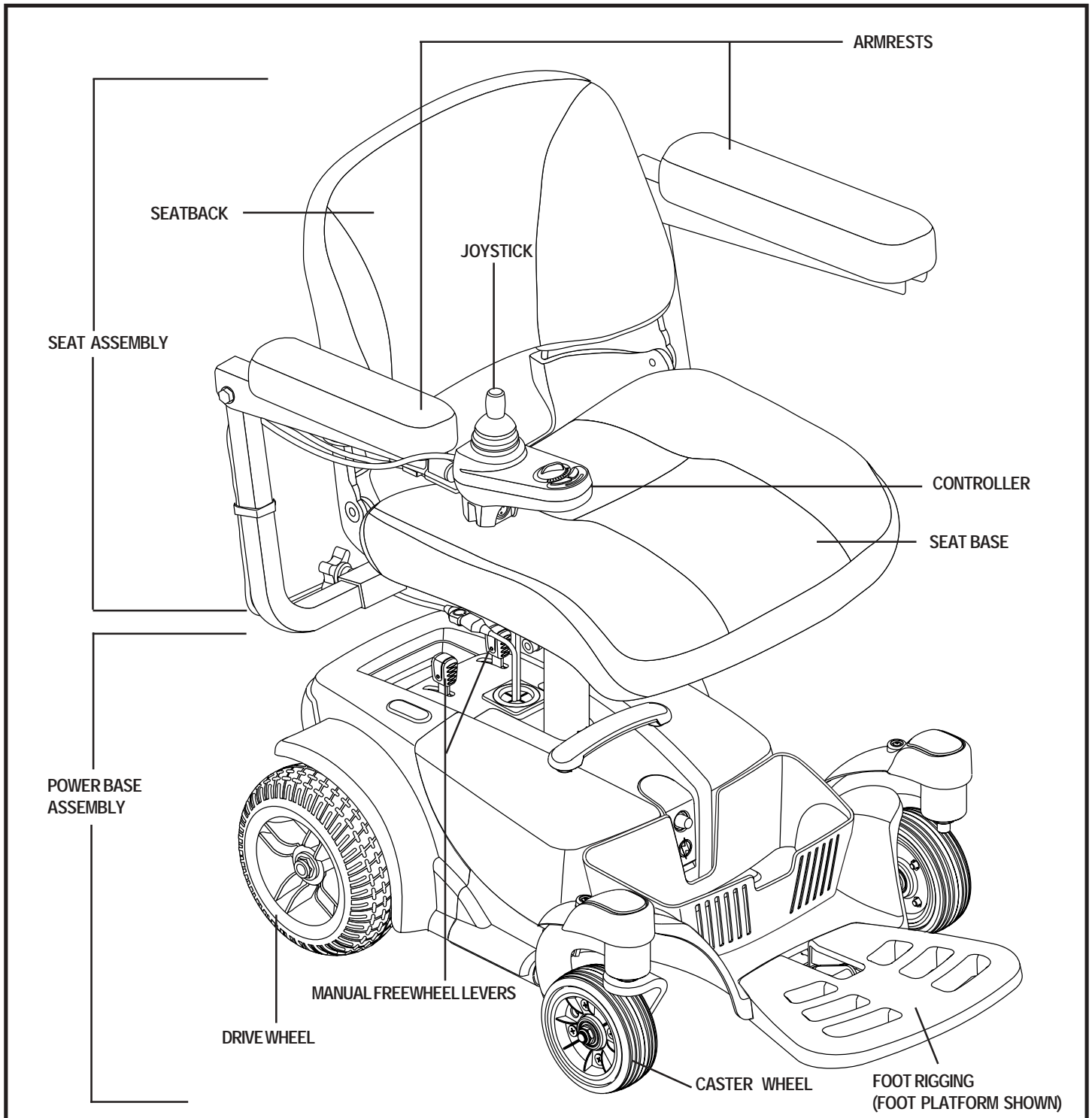


Figure 5. The Z-Chair

III. YOUR Z-CHAIR

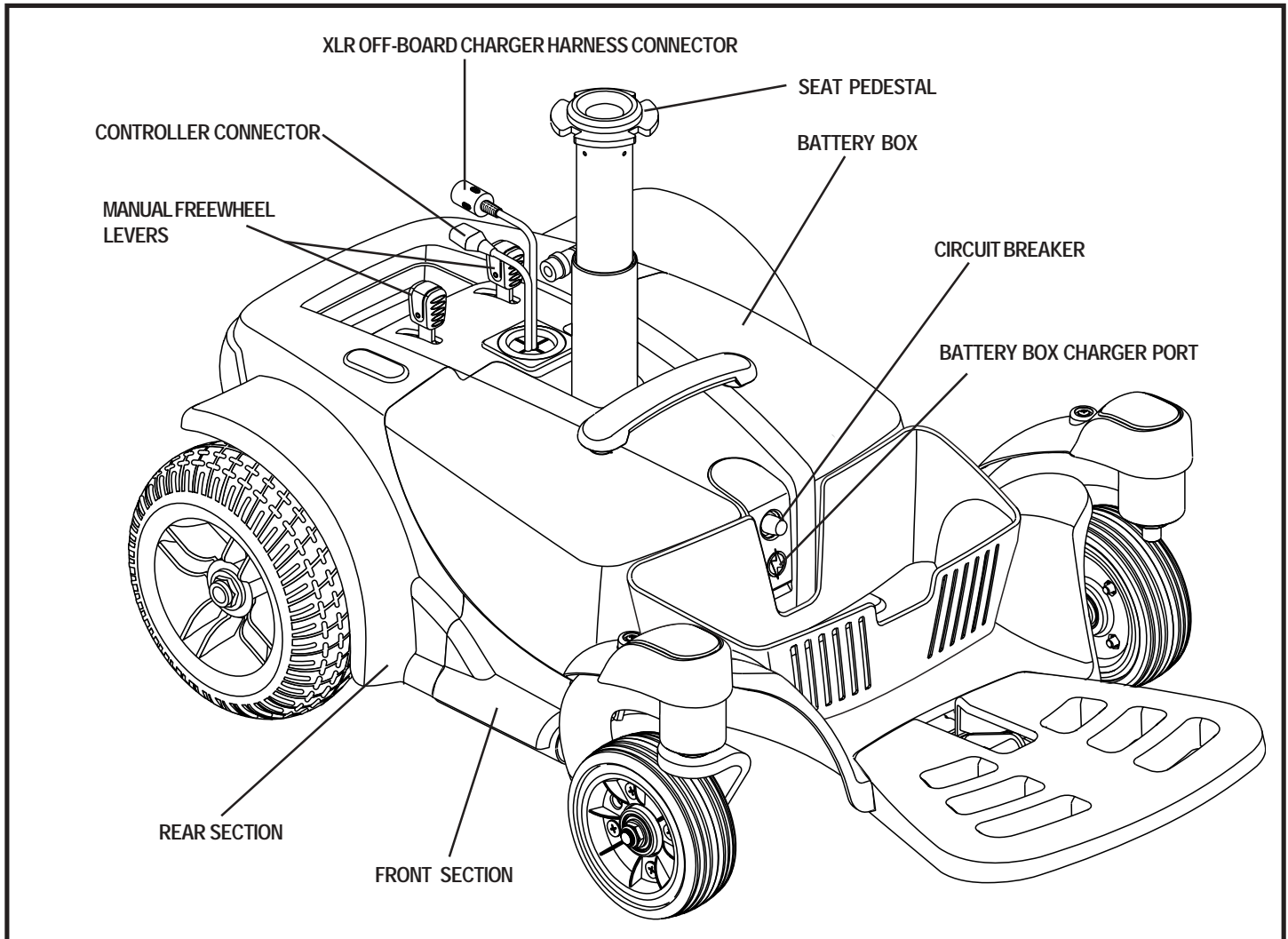


Figure 6. The Z-Chair Power Base

Electrical Components

The electrical components are located on the power base. The main circuit breaker is located on the front of the battery box. The controller connector is located on the back of the power base. See figure 6.

Controller Connector: This is where the controller connects to the power base. Each controller uses a different type of cable. Regardless of which type of controller is used, the cable must be secured to the assembly and not allowed to drag on the floor.

Battery Box Charger Port: This enables you to charge the batteries either on the unit or when the battery box is removed from the power base. See VI. “Batteries and Charging.”

Main Circuit Breaker: The main circuit breaker is a safety feature built into your Z-Chair. When the batteries and the motors are heavily strained (e.g., from excessive loads), the main circuit breaker trips to prevent damage to the motors and the electronics. If the circuit trips, allow your Z-Chair to “rest” for approximately one minute. Next, push in the circuit breaker button, turn on the controller, and continue normal operation. If the main circuit breaker continues to trip repeatedly, contact an authorized Pride Provider.

III. YOUR Z-CHAIR

Manual Freewheel Levers

For your convenience, your Z-Chair has a manual freewheel lever on each motor. Manual freewheel levers enable you to disable the drive system in order to maneuver the chair manually. This is called freewheel mode.



WARNING! Do not use the Z-Chair while the drive motors are disengaged! Do not disengage the drive motors when the Z-Chair is on an incline or decline, as the unit could roll on its own. Only engage the freewheel mode when on a level surface.



WARNING! It is important to remember that when your Z-Chair is in freewheel mode, the braking system is disengaged.

NOTE: The batteries will not charge in freewheel mode unless the battery box is removed from the power base.

NOTE: You must turn off the power before disabling the drive systems, otherwise you may get an error code on the controller. To clear this code, turn off the controller and place the Z-Chair in drive mode. Then turn on the controller. The error message should be cleared. If not, contact an authorized Pride Provider.

To engage or disengage the drive system:

1. Locate the levers on the rear section of the power base. See figure 7.
2. Push the two levers forward to engage the drive motors (drive mode).
3. Pull the two levers rearward to disengage the drive motors (freewheel mode).

NOTE: If a lever is difficult to move in either direction, rock your Z-Chair back and forth slightly. The lever should then move to the desired position.



WARNING! Do not use the freewheel lever handles as tie-down points to secure this product.

Anti-Tip Wheels

The anti-tip wheels are an integral and important safety feature of your Z-Chair. They are bolted to the frame at the rear of the chair. See figure 7.



PROHIBITED! Do not remove the anti-tip wheels or modify your travel chair in any way that is not authorized by Pride.

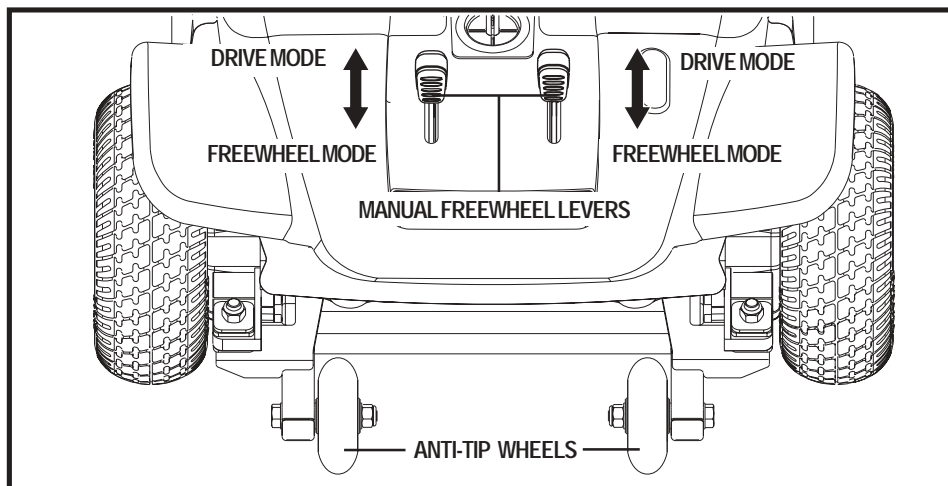


Figure 7. Back of Power Base

IV. ASSEMBLY/DISASSEMBLY

INITIAL ASSEMBLY

Your Z-Chair may require some assembly either before initial use or after transportation. It may also require disassembly to make some comfort adjustments. Figure 8 details those parts of the Z-Chair that are designed to be disassembled and assembled by an end user or by a qualified caregiver before using the product or making comfort adjustments. There are two hex keys provided for use with controller installation and adjustment and foot platform adjustment.

NOTE: Any nylon insert lock nut removed during the disassembly or adjustment of the Z-Chair must be replaced with a new nut. Nylon insert lock nuts should not be reused as it may cause damage to the nylon insert, resulting in a less secure fit. Replacement nylon insert lock nuts are available at local hardware stores or through your authorized Pride Provider.

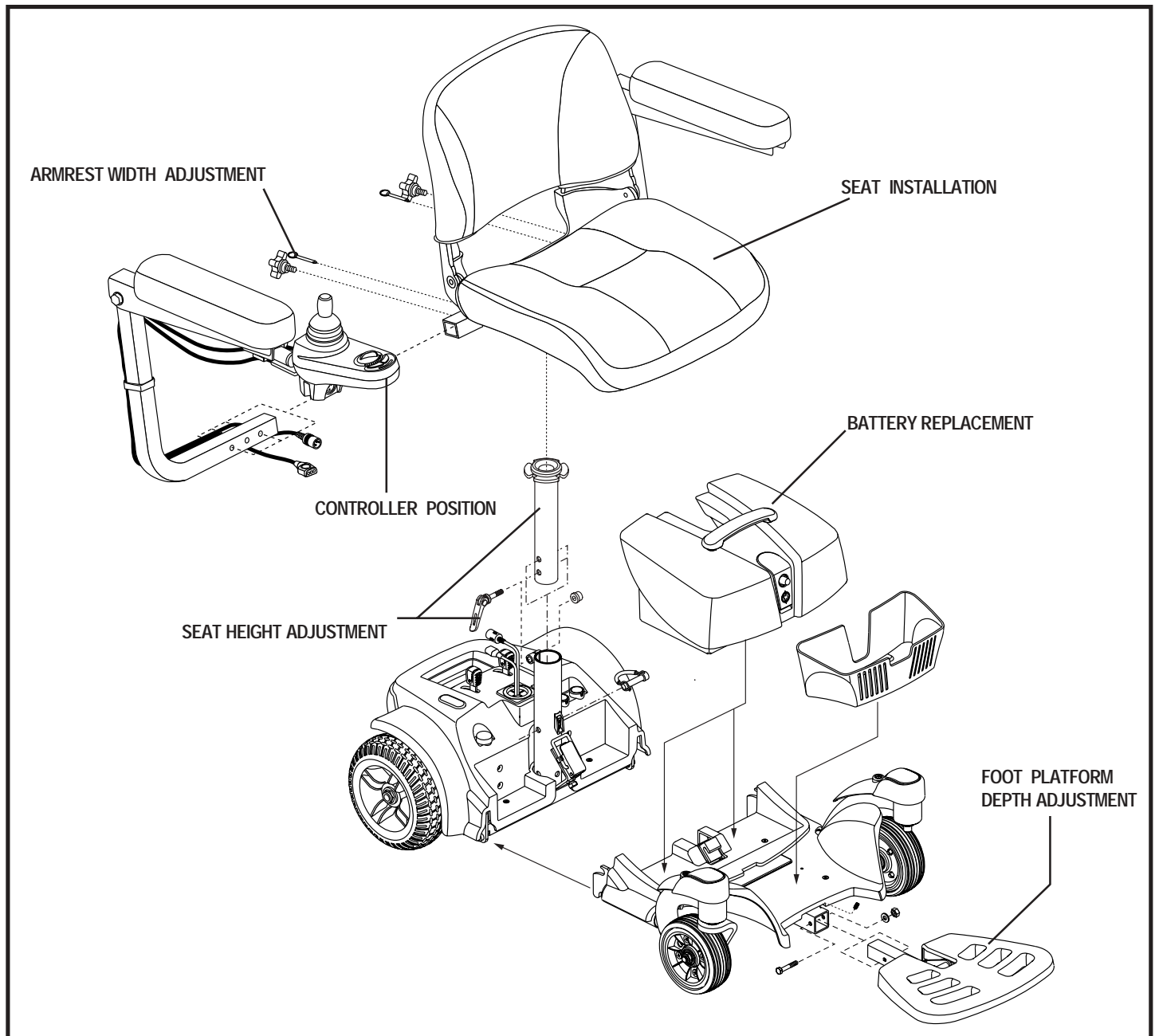


Figure 8. Z-Chair Assembly View

Seat Installation

It may be necessary to install the seat either prior to initial operation or after transporting your Z-Chair. The seat is attached to the power base by a height-adjustable seat pedestal.



WARNING! Do not pick up the seat frame by the armrests. They are free to pivot, and you may lose control of the seat if they do so.

To install the seat:

1. Adjust the seat height if necessary. See V. “Comfort Adjustments.”
2. Set the seat onto the seat pedestal. See figure 9.
3. Install the controller into the armrest, and tighten the setscrew under the armrest.
4. Plug the controller connector and XLR off-board charger harness into the power base. See figure 6.



MANDATORY! Prevent controller harness damage! Avoid routing the controller harness on the outside of the armrest pad. Route the harness under the armrest or toward the inside of the armrest pad. Use correct tie-down points for the controller harness to prevent the harness from getting caught in the drive tires, pinched in the seat frame, or damaged when passing through doorways.

Disassembly

The Z-Chair disassembles into four components: the seat, the battery box, the rear section of the power base, and the front section of the power base. See figure 10.

To disassemble the Z-Chair:

1. Turn off the power to the controller.
2. Place the Z-Chair in drive mode. See III. “Your Z-Chair.”
3. Disconnect the controller and XLR connector from the power base.
4. Remove the seat.
5. Grasp the battery box handle and lift up to disengage the box from the power base, then tilt the box forward slightly and pull it away from the power base.
6. Push in the toggle latch release button while pulling forward on the toggle latch. See figure 11.
7. Rotate the toggle latch buckle over the top of the toggle latch until it snaps into its retainer. See figure 12.
8. Lift the front section up and off of the rear section.

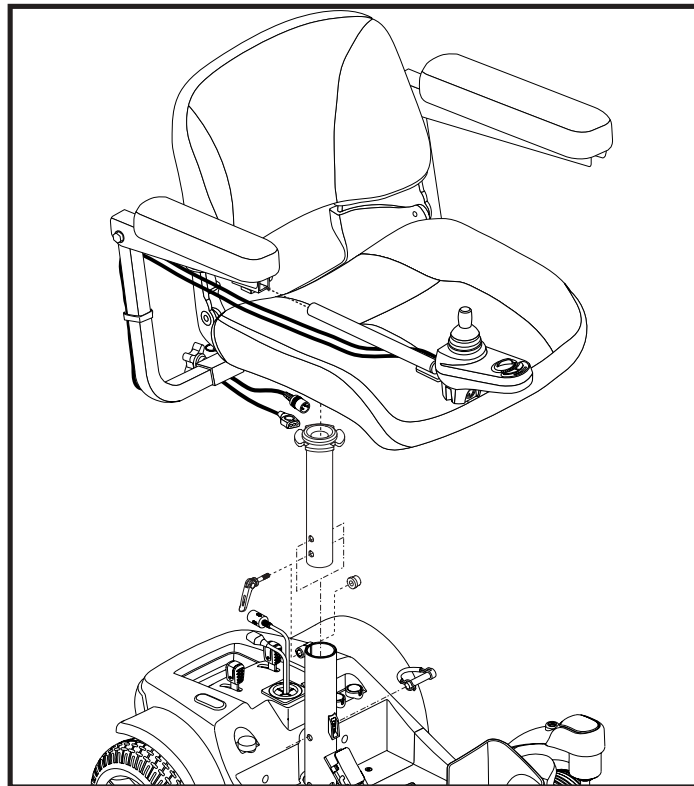


Figure 9. Seat Installation

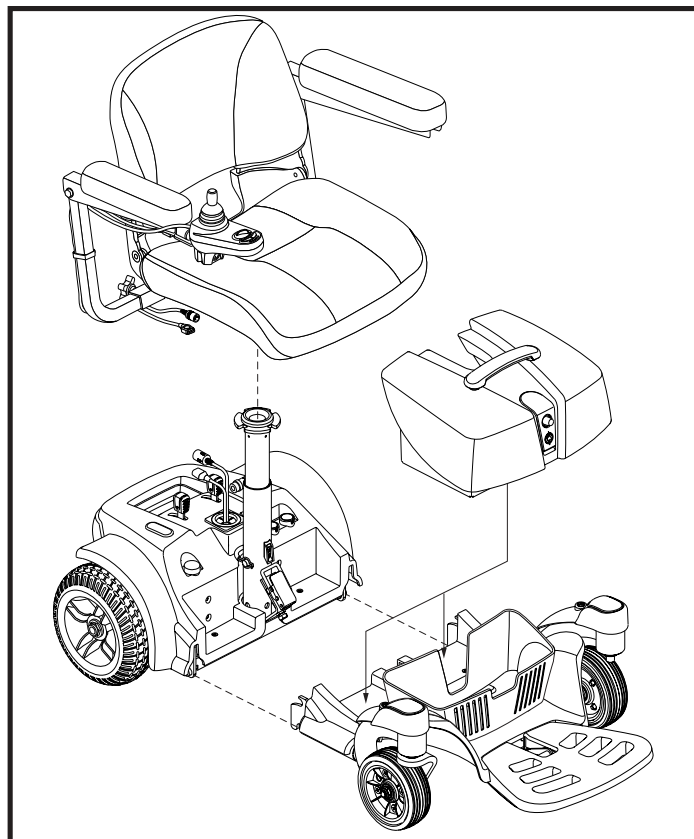


Figure 10. Z-Chair Components

IV. ASSEMBLY/DISASSEMBLY

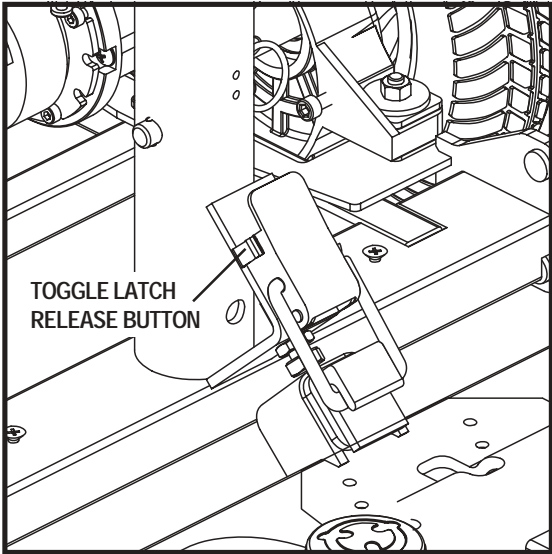


Figure 11. Toggle Latch Closed

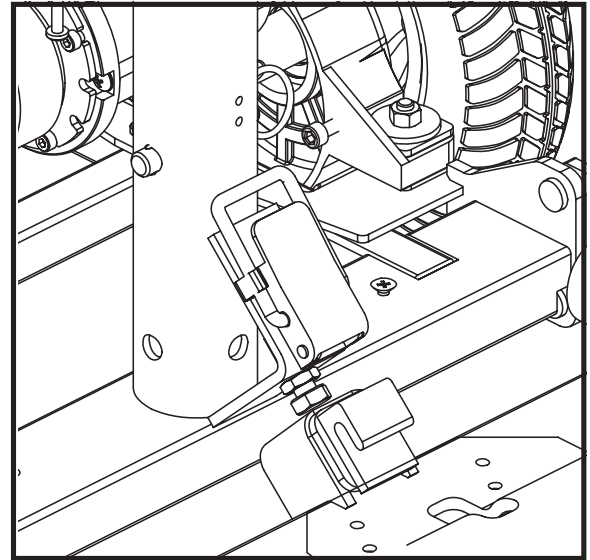


Figure 12. Toggle Latch Open

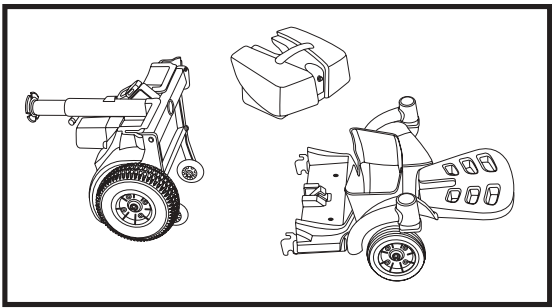


Figure 13. Rear Section Positioning

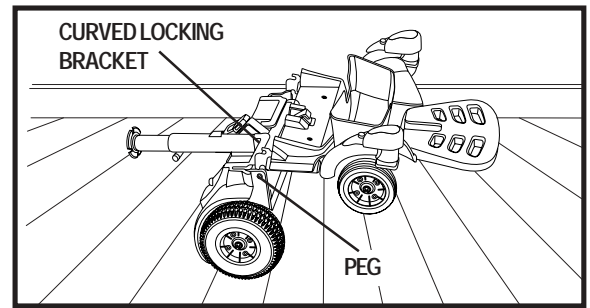


Figure 14. Align Frame Sections

Assembly

1. Tilt the Z-Chair rear section rearward onto the anti-tip wheels. See figure 13.
2. While holding the front section parallel to the floor, align the curved locking brackets on the front section with the corresponding pegs on the rear section. See figure 14.
3. Grasp the foot platform and lift the front section to a vertical position on the rear section. See figure 15.
4. Secure the toggle latch to the locked position. See figure 11.

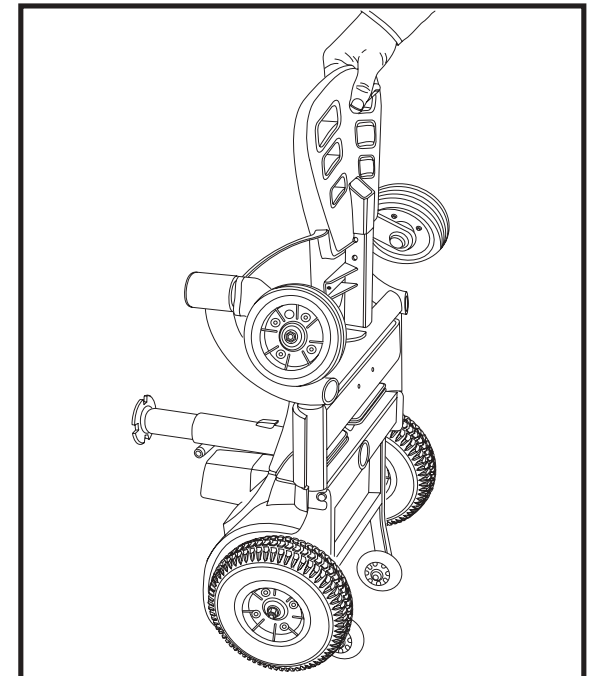


Figure 15. Lift Front Section



WARNING! Ensure that the toggle latch buckle is securely fastened to the retainer before operating the Z-Chair.

5. Grasp the foot platform and lower the assembled frame sections to the floor.
6. With the battery box tilted forward slightly, place it on the power base, then push the back of the battery box down until it is firmly in place.
7. Install the seat and plug the controller connector and XLR connector into the power base. See figure 6.

V. COMFORT ADJUSTMENTS

COMFORT ADJUSTMENTS

After becoming familiar with your travel chair's operation, you may find the need to make some adjustments to increase your comfort, such as seat height, armrest width, foot platform depth, and controller position. Use the steps below to make comfort adjustments.

WARNING! If your Z-Chair was configured by an authorized Pride Provider, please consult the authorized Pride Provider before changing the seat position or making any other adjustment. Some adjustments may degrade your travel chair's performance and safety by changing its center of gravity.



WARNING! Some Z-Chair components are heavy. Please refer to "Appendix I - Specifications" for specific component weights before you disassemble the Z-Chair.

WARNING! Remove the occupant from the Z-Chair before making any adjustments.

Seat Height Adjustment

You can adjust the seat to two different heights in 1-in. (2.54 cm) increments. Seat height adjustment requires the removal of the battery box.

To change the seat height:

1. Turn off the power to the controller.
2. Disconnect the controller and XLR connectors from the power base.
3. Remove the seat.
4. Remove the battery box.
5. Loosen the quick release fastener. See figure 16.
6. Remove the securement pin from the seat pedestal.
7. Reposition the seat pedestal to the desired height.
8. Reinstall the seat pedestal securement pin.
9. Tighten the quick release fastener. See figure 17.
10. Reinstall the battery box.
11. Reinstall the seat.
12. Reconnect the controller and XLR connectors.

Quick Release Fasteners

The quick release fastener removes excess play in the seat pedestal. See figure 16. The quick release fastener consists of a bolt, a lever, and a nut. See figure 17. The lever has a cam on the end that allows it to clamp into place. The quick release fastener has two states: clamped and unclamped. When the lever is open, the quick release fastener is unclamped. When the lever is closed, the quick release fastener is clamped.

To clamp the quick release fastener:

1. Make sure the lever is in the open position.
2. Turn the nut clockwise until it is snug.
3. Rotate the lever until it is in the fully closed position.

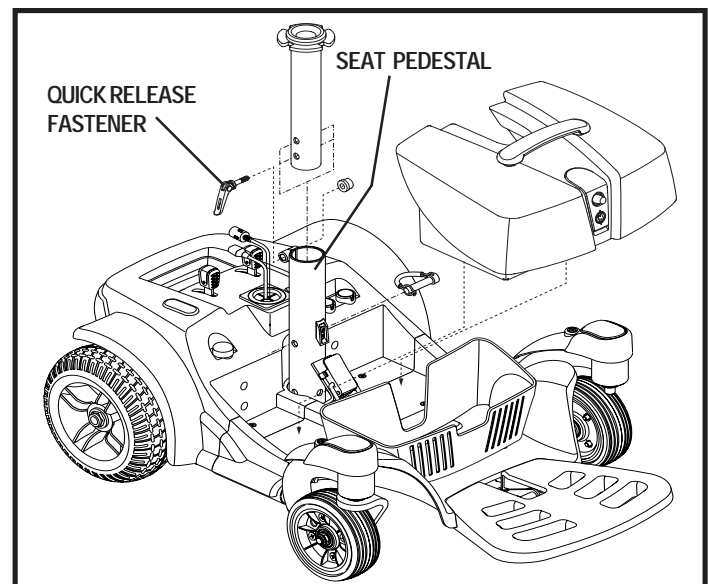


Figure 16. Seat Height Adjustment

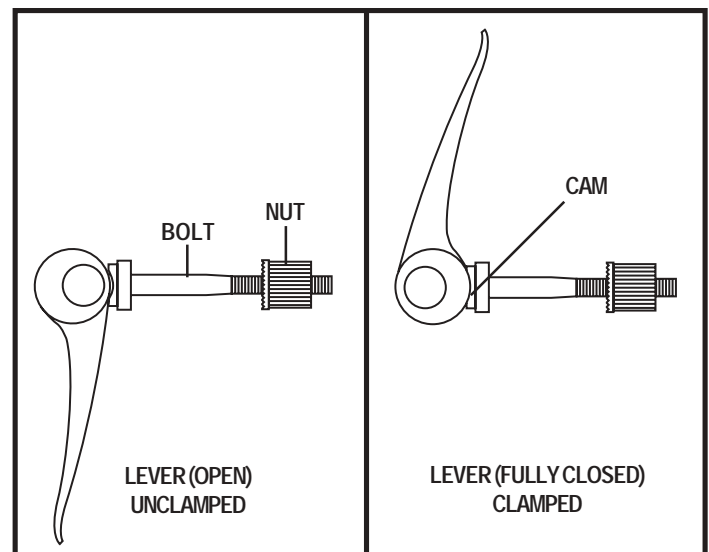


Figure 17. Quick Release Fastener Operation

V. COMFORT ADJUSTMENTS

NOTE: If the lever will not rotate to the fully closed position, then turn the nut counterclockwise one-quarter or one-half turn.

Armrest Width Adjustment

You can change each armrest's width independently of the other.

NOTE: Changing the armrest width may increase the overall width of your Z-Chair.

To change the armrest width:

1. Locate the two armrest knobs on each side of the armrest receiver bracket. See figure 18.
2. Loosen the knobs.
3. Remove the detent pins.
4. Slide the armrests in or out to the desired width.
5. Reinstall the pins and tighten the knobs.

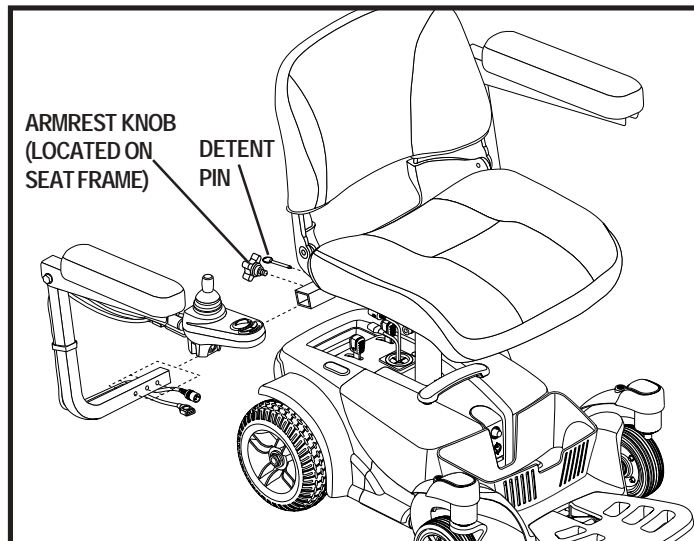


Figure 18. Armrest Width Adjustment

Foot Platform Depth Adjustment

To adjust the foot platform depth:

1. Remove the hardware from the foot platform bracket. See figure 19.
2. Move the foot platform in or out to the desired depth.
3. Reinstall the hardware into the foot platform bracket and tighten.

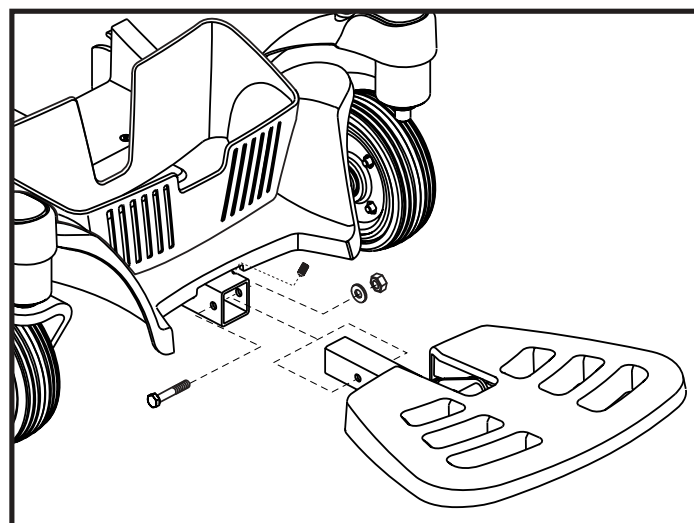


Figure 19. Foot Platform Depth

Controller Position

You can position the controller for either left-hand or right-hand use.



WARNING! Do not place the controller cable so that it can be pinched in the seat frame or the power base frame.

To change the controller position:

1. Turn off the power to the controller.
2. Unplug the controller and XLR connectors from the power base.
3. Cut the wire tie securing the controller and XLR cables to the armrest.
4. Flip up the armrest and loosen the setscrew. See figure 20.
5. Slide the controller out of the armrest.
6. Loosen the setscrew in the other armrest.
7. Place the controller in the other armrest.
8. Tighten the setscrew to secure the controller.
9. Use a wire tie to secure the controller cable to the armrest.
10. Plug the controller and XLR connectors into the power base.

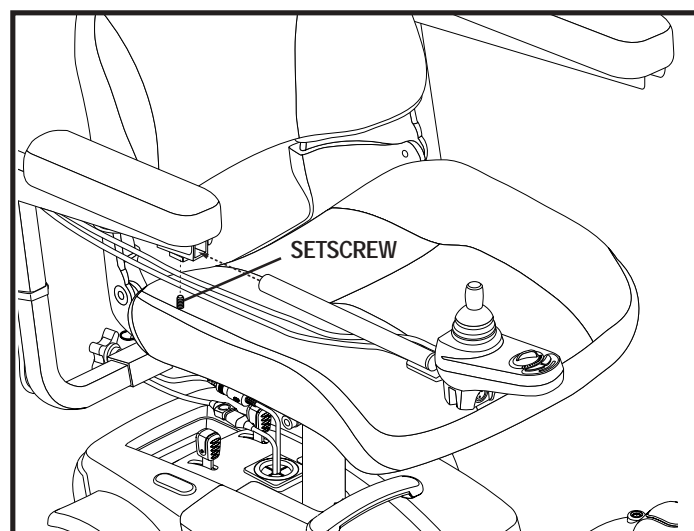


Figure 20. Controller Position

VI. BATTERIES AND CHARGING

BATTERIES AND CHARGING

The Z-Chair uses two long-lasting, 12-volt, deep-cycle batteries. These batteries are sealed and maintenance free. Since they are sealed, there is no need to check the electrolyte (fluid) level. Deep-cycle batteries are designed to handle a longer and deeper discharge. Though they are similar in appearance to automotive batteries, they are not interchangeable. Automotive batteries are not designed to handle a long, deep discharge, and also are unsafe for use in travel chairs.



MANDATORY! Battery posts, terminals, and related accessories contain lead and lead compounds. Wear goggles and gloves when handling batteries and wash hands after handling.



WARNING! Contact your authorized Pride Provider if you have any questions regarding the batteries in your travel chair.



WARNING! Always use two batteries of the exact same type, chemistry, and amp-hour (Ah) capacity. Refer to the specifications table in this manual and in the manual supplied with the battery charger for recommended type and capacities.

Charging the Batteries

The battery charger is essential in providing long life for your Z-Chair batteries. It is designed to optimize your travel chair's performance by charging the batteries safely, quickly, and easily.



PROHIBITED! Removal of grounding prong can create electrical hazard. If necessary, properly install an approved 3-pronged adapter to an electrical outlet having 2-pronged plug access.



PROHIBITED! Never use an extension cord to plug in your battery charger. Plug the charger directly into a properly wired standard electrical outlet.



PROHIBITED! Do not allow unsupervised children to play near the travel chair while the batteries are charging. Pride recommends that you do not charge the batteries while the travel chair is occupied.



MANDATORY! Read the battery charging instructions in this manual and in the manual supplied with the battery charger before charging the batteries.



WARNING! Explosive gases may be generated while charging the batteries. Keep the travel chair and battery charger away from sources of ignition such as flames or sparks and provide adequate ventilation when charging the batteries.

WARNING! You must recharge your travel chair's batteries with the supplied off-board charger. Do not use an automotive-type battery charger.



WARNING! Inspect the battery charger, wiring, and connectors for damage before each use. Contact your authorized Pride Provider if damage is found.

WARNING! Do not attempt to open the battery charger case. If the battery charger does not appear to be working correctly, contact your authorized Pride Provider.

WARNING! If the battery charger is equipped with cooling slots, then do not attempt to insert objects through these slots.



WARNING! If your battery charger has not been tested and approved for outdoor use, then do not expose it to adverse or extreme weather conditions. If the battery charger is exposed to adverse or extreme weather conditions, then it must be allowed to adjust to the difference in environmental conditions before use indoors. Refer to the manual supplied with the battery charger for more information.



VI. BATTERIES AND CHARGING

To charge the batteries using the off-board charger:

1. Position the front of your travel chair next to a standard electrical outlet. See figure 21.
2. Be certain the controller power is turned off.
3. Plug the off-board charger into the battery box charger port.

NOTE: *The off-board charger connector can be inserted through a slot found on the back of the basket and located directly in front of the battery box.*

4. Plug the off-board charger into the electrical outlet.

NOTE: *If it is a Pride off-board charger, then there are two LEDs in it. Refer to the supplied charger manual for information on LED indications. If it is not a Pride off-board charger, then follow the instructions supplied by the manufacturer.*

5. When the batteries are fully charged, disconnect the off-board charger from the electrical outlet and then from the battery box.

NOTE: *The Z-Chair batteries can be charged when the battery box is removed from the power base.*

To charge the batteries with the battery box removed from the power base:

1. Remove the battery box from the power base. See IV. “Assembly/Disassembly.”
2. Position the battery box next to a standard electrical outlet. See figure 22.
3. Plug the off-board charger into the battery box charger port.
4. Plug the off-board charger into the electrical outlet.
5. When the batteries are fully charged, unplug the off-board charger from the electrical outlet and then from the battery box.
6. Reinstall the battery box to the power base.

To charge the batteries using the off-board charger /programming socket found on the controller:

1. Position the front of your travel chair next to a standard electrical outlet.
2. Be certain the controller power is turned off and the freewheel levers are in the engaged position. See III. “Your Z-Chair.”
3. Plug the off-board charger into the off-board charger/programming socket located on the controller. See figure 23.
4. Plug the off-board charger into the electrical outlet.
5. When the batteries are fully charged, unplug the off-board charger from the electrical outlet and then from the controller.

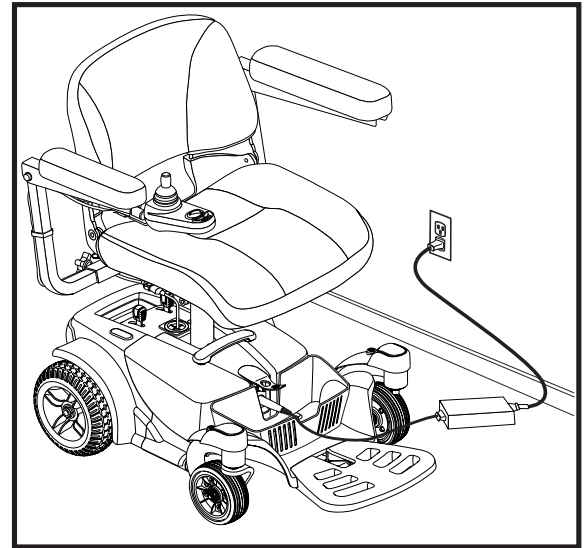


Figure 21. Battery Charging

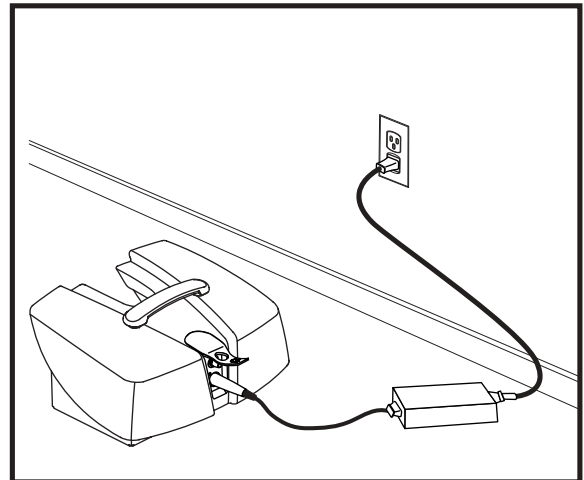


Figure 22. Battery Charging (Battery Box Removed)

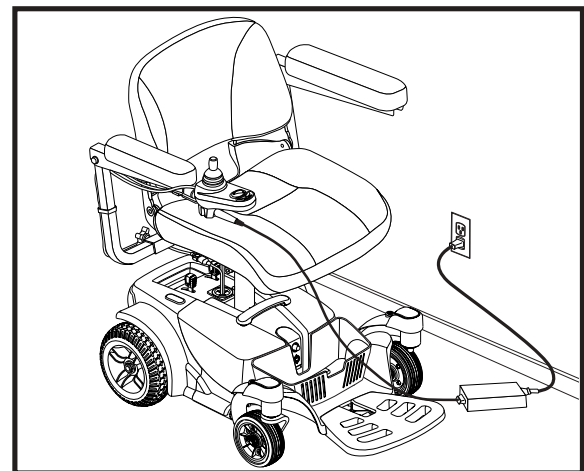


Figure 23. Battery Charging through the Controller

VI. BATTERIES AND CHARGING

Battery Break-in

To break in new batteries for maximum efficiency:

1. Fully recharge any new battery prior to its initial use. This brings the battery up to about 90% of its peak performance level.
2. Operate your Z-Chair throughout the house and yard. Move slowly at first, and do not travel too far until you become accustomed to the controls and break in the batteries.
3. Give the batteries another full charge of 8 to 14 hours and operate your Z-Chair again. The batteries will now perform at over 90% of their potential.
4. After four or five charging cycles, the batteries will top off at 100% charge and last for an extended period.

Frequently Asked Questions (FAQs)

How does the charger work?

The battery charger takes the standard electrical outlet voltage of 120 VAC (alternating current) and converts it to 24 VDC (direct current). The batteries use direct current to run your Z-Chair. When the battery voltage is low, the charger works harder to charge the battery. As the battery voltage approaches full charge, the charger does not work as hard to complete the charging cycle. When the battery is fully charged, the amperage from the charger is nearly at zero. This is how the charger maintains a charge but does not overcharge the battery.

Can I use a different battery charger?

You should use the charger supplied with the Z-Chair. It is the safest, most efficient tool to charge the batteries. We do not recommend using other types of chargers (e.g., an automotive battery charger).

NOTE: Your travel chair's charger will not operate after the batteries have been discharged to nearly zero voltage. If this happens, call an authorized Pride Provider for assistance.

How often must I charge the batteries?

Many factors come into play when deciding how often to charge the batteries. You may use your Z-Chair all day on a daily basis or you may not use it for weeks at a time.

■ Daily Use

If you use your Z-Chair on a daily basis, charge the batteries as soon as you are finished using your Z-Chair. Your Z-Chair will be ready each morning to give you a full day's service. It is recommended that you charge the batteries 8 to 14 hours after daily use.

■ Infrequent Use

If you use your Z-Chair infrequently (once a week or less), you should charge the batteries at least once per week for 12 to 14 hours.

NOTE: Keep your batteries fully charged and avoid deeply discharging your batteries. Do not charge the batteries for more than 24 hours at a charging cycle.

VI. BATTERIES AND CHARGING

How can I get maximum range or distance per charge?

Rarely do you have an ideal driving situation such as smooth, flat, hard terrain with no wind, hills, or curves. More often you are presented with hills, sidewalk cracks, uneven and loosely packed surfaces, curves, and wind. All of these factors will affect the distance or running time per battery charge. Below are a few suggestions for obtaining the maximum range per charge:

- Always charge the batteries fully prior to your trip.
- Plan your trip in advance to avoid inclines if possible.
- Limit baggage weight to essential items.
- Try to maintain an even speed and avoid stop-and-go driving.

What type of batteries should I use?

We recommend deep-cycle batteries that are sealed and maintenance free. Both AGM and Gel-Cell are deep-cycle batteries that are similar in performance. Refer to the Specifications Table for more information regarding the batteries used with your Z-Chair.



WARNING! Corrosive chemicals contained in batteries. Use only AGM or Gel-Cell batteries to reduce the risk of leakage or explosive conditions.

Why do my new batteries seem weak?

Deep-cycle batteries employ a much different chemical technology than that used in car batteries, nickel-cadmium (nicads), or in other common battery types. Deep-cycle batteries are specifically designed to provide power, drain down their charge, and then accept a relatively quick recharge. AGM and Gel-Cell batteries should be charged as often as possible. They do not have a “memory” like nickel-cadmium batteries.

We work closely with our battery manufacturer to provide a battery that best suits your travel chair’s specific demands. Fresh batteries arrive regularly at Pride and are promptly shipped with a full charge. During shipping, the batteries encounter temperature extremes that may influence initial performance. Heat robs the charge from the battery, and cold slows the power available and extends the time needed to recharge the battery (just as with a car battery).

It might take a few days for the temperature of the battery to stabilize and adjust to its new ambient temperature. More importantly, it will take a few “charging cycles” (a partial drain—then a full recharge) to establish the critical chemical balance that is essential to the battery’s peak performance and long life. It will be well worth it to take the time to break in your battery properly.

How can I ensure maximum battery life?

A fully charged deep-cycle battery will provide reliable performance and extended battery life. Keep your travel chair’s batteries fully charged whenever possible. Batteries that are regularly and deeply discharged, infrequently charged, or stored without a full charge may be permanently damaged, causing unreliable Z-Chair operation and limited battery life.

NOTE: *The useful life of a battery is quite often a reflection of the care it receives.*

VI. BATTERIES AND CHARGING

How should I store my Z-Chair and its batteries?

If you do not use your Z-Chair regularly, we recommend maintaining battery vitality by charging the batteries at least once per week.

If you do not plan on using your Z-Chair for an extended period, fully charge the batteries prior to storage. Disconnect the battery harnesses and store the Z-Chair in a warm, dry environment. Avoid temperature extremes, such as freezing and excessively hot conditions, and never attempt to charge a frozen battery. A cold or frozen battery should be warmed for several days prior to recharging.

What about public transportation?

AGM and Gel-Cell batteries are designed for application in travel chairs and other mobility vehicles. These batteries are Federal Aviation Administration (FAA) approved, allowing safe transportation on aircraft, buses, and trains, as there is no danger of spillage or leakage. We suggest you contact the carrier's ticket counter in advance to determine that carrier's specific requirements.

What about shipping?

If you wish to use a freight company to ship your Z-Chair to your final destination, repack your Z-Chair in the original shipping container and ship the batteries in separate boxes.

VII. CARE AND MAINTENANCE

CARE AND MAINTENANCE

Your Z-Chair is a sophisticated travel mobility vehicle. Like any motorized vehicle, it requires routine maintenance checks. You can perform some of these checks, but others require assistance from an authorized Pride Provider. Preventive maintenance is very important. If you follow the maintenance checks in this section as scheduled, you can help ensure that your Z-Chair gives you years of trouble-free operation. If you have any doubt as to your travel chair's care or operation, contact an authorized Pride Provider.



WARNING! Do not service the Z-Chair when the seat is occupied.

Your Z-Chair, like most electrical equipment, is susceptible to damage from the elements. Avoid damp areas of any kind.



WARNING! Direct or prolonged exposure to water or dampness could cause the Z-Chair to malfunction electronically and mechanically. Water can cause electrical components to corrode and the chair's frame to rust. Travel chairs should be examined periodically for signs of corrosion caused by water exposure, bodily fluids exposure, or incontinence. Damaged components should be replaced or treated immediately.

Should your Z-Chair come in contact with water:

1. Dry your Z-Chair as thoroughly as possible with a towel.
2. Allow your Z-Chair to sit in a warm, dry place for 12 hours to allow unseen water to evaporate.
3. Check the joystick operation and the brakes before using your Z-Chair again.
4. If any inconsistencies are found, take your Z-Chair to your authorized Pride Provider. Travel chairs that are frequently exposed to sources of water, such as incontinence, should be inspected often for corrosion and electronic components may need to be replaced frequently.

Temperature

- Some of the parts of your Z-Chair are susceptible to extreme changes in temperature. Always keep your Z-Chair between the temperatures of 18°F (-8°C) and 122°F (50°C).
- In extremely cold temperatures the batteries may freeze. The specific temperature at which they freeze depends on a number of factors, such as battery charge, usage, and composition of the batteries (e.g., AGM or Gel-Cell).
- Temperatures above 122°F (50°C) may cause your Z-Chair to operate at a reduced speed. This reduced speed is a safety feature built into the controller that helps prevent damage to the motor and other electrical components.

General Guidelines

- Avoid knocking or bumping the controller, especially the joystick.
- Avoid prolonged exposure of your Z-Chair to extreme conditions, such as heat, cold, or moisture.
- Keep the controller clean.
- Check all connectors to ensure that they are all tight and secured properly.
- Make sure the drive tires are inflated to the psi/bar/kPa air pressure rating indicated on each tire if equipped with pneumatic tires.



WARNING! Make sure pneumatic tires are inflated to the psi/bar/kPa air pressure rating indicated on each tire. Do not underinflate or overinflate your tires. Low pressure may result in loss of control, and overinflated tires may burst. Overinflating tires can cause them to explode.

WARNING! Do not use a high pressure hose to inflate your tires.

- Use a rubber conditioner on the tire sidewalls to help preserve them.



WARNING! Never use a rubber conditioner on the tread area of the tires; doing so may make the tires slippery and cause your Z-Chair to skid.

VII. CARE AND MAINTENANCE

- All wheel bearings are prelubricated and sealed. They require no subsequent lubrication.
- The body shroud has been sprayed with a clear sealant coating. You can apply a light coat of car wax to help it retain its high-gloss appearance.
- Check all electrical connections. Make sure they are tight and are not corroded. Batteries must sit flat within the battery tray, with the battery terminals facing inward, toward each other. Refer to the battery wiring label for the correct wiring layout.



WARNING! Even though the power chair has passed the necessary testing requirements for ingress of liquids, you should keep electrical connections away from sources of dampness, including direct exposure to water or bodily fluids and incontinence. Check electrical components frequently for signs of corrosion and replace as necessary.

Daily Checks

- With the controller turned off, check the joystick. Make sure it is not bent or damaged and that it returns to the neutral position when you release it. Check the rubber boot around the base of the joystick for damage. Visually inspect the boot. Do not handle or try to repair it. See an authorized Pride Provider if there is a problem.
- Visually inspect the controller cable. Make sure that it is not frayed, cut, or has any wires exposed. See an authorized Pride Provider if there is a problem.
- Check for flat spots on solid tires. Flat spots could adversely affect stability.
- Inspect the armrests for loose hardware, stress points, or damage. See your authorized Pride Provider if there is a problem.

Weekly Checks

- Disconnect and inspect the controller from the power base. Look for corrosion. Contact an authorized Pride Provider if necessary.
- Ensure that all parts of the controller system are securely fastened to your Z-Chair. Do not overtighten any screws.
- Calibrate the joystick if a noticeable difference in performance is detected or if the joystick does not operate properly. To calibrate the joystick, power off the unit, place the joystick in the neutral position, and power the unit back on. If a problem still exists with your joystick's performance, contact an authorized Pride Provider.
- Check the brakes. This test should be carried out on a level surface with at least 3 feet (1 meter) of clearance around your Z-Chair.

To check the brakes:

1. Turn on the controller and turn down the speed level of your Z-Chair.
2. After one second, check the battery condition meter. Make sure that it remains on.
3. Slowly push the joystick forward until you hear the electric brakes click. Immediately release the joystick. You must be able to hear each electrical brake operating within a few seconds of joystick movement. Repeat this test three times, pushing the joystick backwards, then left, and then right.

Monthly Checks

- Check for drive tire wear. See an authorized Pride Provider for repair.
- Check the caster wheels for wear. Replace them as necessary.
- Check the caster forks for damage or fluttering which indicates that they may need to be adjusted or have the bearings replaced. See an authorized Pride Provider for repair.
- Keep your Z-Chair clean and free of foreign material, such as mud, dirt, hair, food, drink, etc.

Yearly Checks

Take your Z-Chair to an authorized Pride Provider for yearly maintenance, especially if you use your chair on a regular basis. This helps ensure that your Z-Chair is functioning properly and helps prevent future complications.

VII. CARE AND MAINTENANCE

Storage

Your Z-Chair should be stored in a dry place, free from temperature extremes. When storing, disconnect the batteries from the Z-Chair. See VI. “Batteries and Charging.”



WARNING! If you fail to store the unit properly, the frame can rust and the electronics can be damaged.

Batteries that are regularly and deeply discharged, infrequently charged, stored in extreme temperatures or stored without a full charge may be permanently damaged, causing unreliable performance and limited service life. It is recommended that you charge the batteries periodically throughout periods of prolonged storage to ensure proper performance.

You may wish to place several boards under the frame of your Z-Chair to raise it off of the ground during periods of prolonged storage. This takes the weight off of the tires and reduces the possibility of flat spots developing on the areas of the tires contacting the ground.

Disposal of Your Travel Chair

Your travel chair must be disposed of according to applicable local and national statutory regulations. Contact your local waste disposal agency or authorized Pride Provider for information on proper disposal of travel chair packaging, metal frame components, plastic components, electronics, and batteries.

Cleaning and Disinfection

- Use a damp cloth and mild, non-abrasive cleanser to clean the plastic and metal parts of your travel chair. Avoid using products that may scratch the surface of your travel chair.
- If necessary, clean your product with an approved disinfectant. Make sure the disinfectant is safe for use on your product before application.

WARNING! Follow all safety instructions for the proper use of the disinfectant and/or cleaning agent before applying it to your product. Failure to comply may result in skin irritation or premature deterioration of upholstery and/or power chair finishes.



WARNING! Never hose off your power chair or place it in direct contact with water. Your power chair has a painted, ABS plastic body shroud that allows it to be easily wiped clean with a damp cloth.

WARNING! Never use any chemicals to clean a vinyl seat, as they may cause the seat to become slippery or dry out and crack. Use soapy water and dry the seat thoroughly.

Wheel Replacement

If your chair is equipped with a solid tire insert, then you must replace the whole wheel assembly. Replacement wheel assemblies are readily available through an authorized Pride Provider.

WARNING! The wheels on your power chair should only be serviced or replaced by an authorized Pride Provider or a qualified technician.



WARNING! Be sure the power to the controller's is turned off and the travel chair is not in freewheel mode before performing this procedure.

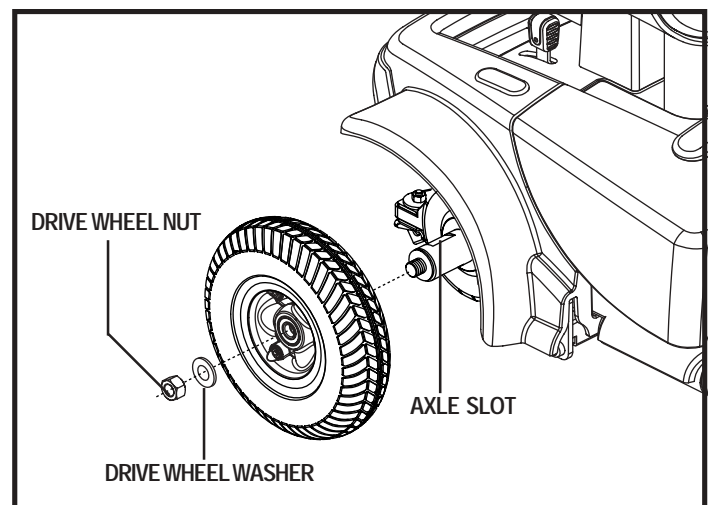


Figure 24. Z-Chair Drive Wheel

VII. CARE AND MAINTENANCE



WARNING! When changing a tire, remove only the center lug nut and washer, then remove the wheel. If any further disassembly is required, deflate the tire completely or it may explode.

To replace the wheel:

1. Turn off the power to the controller.
2. Set the Z-Chair up on blocks.
3. Remove the drive wheel nut and washer from the axle. See figure 24.
4. Pull the wheel off the axle.
5. Slide the new wheel back onto the shaft. Make sure that the key is in the axle slot.
6. Reinstall the drive wheel nut and washer onto the axle and tighten.
7. Remove the Z-Chair from the blocks.

Battery Replacement

A battery wiring diagram is printed on a decal located on the front battery tray. See “Appendix I - Specifications” for correct battery specifications.



MANDATORY! Battery posts, terminals, and related accessories contain lead and lead compounds. Wear goggles and gloves when handling batteries and wash hands after handling.

WARNING! Do not replace the batteries when the seat is occupied.

WARNING! The batteries on your power chair should only be serviced or replaced by an authorized Pride Provider or a qualified technician.



WARNING! Power chair batteries are heavy. See specifications table. If you are unable to lift that much weight, be sure to get help. Use proper lifting techniques and avoid lifting beyond your capacity.

WARNING! Do not mix old or new batteries. Always replace both batteries at the same time.

To replace the batteries:

1. Remove the battery box from the Z-Chair.
2. Turn the pack upside down.
3. Remove all screws that hold the battery box halves together. See figure 25.

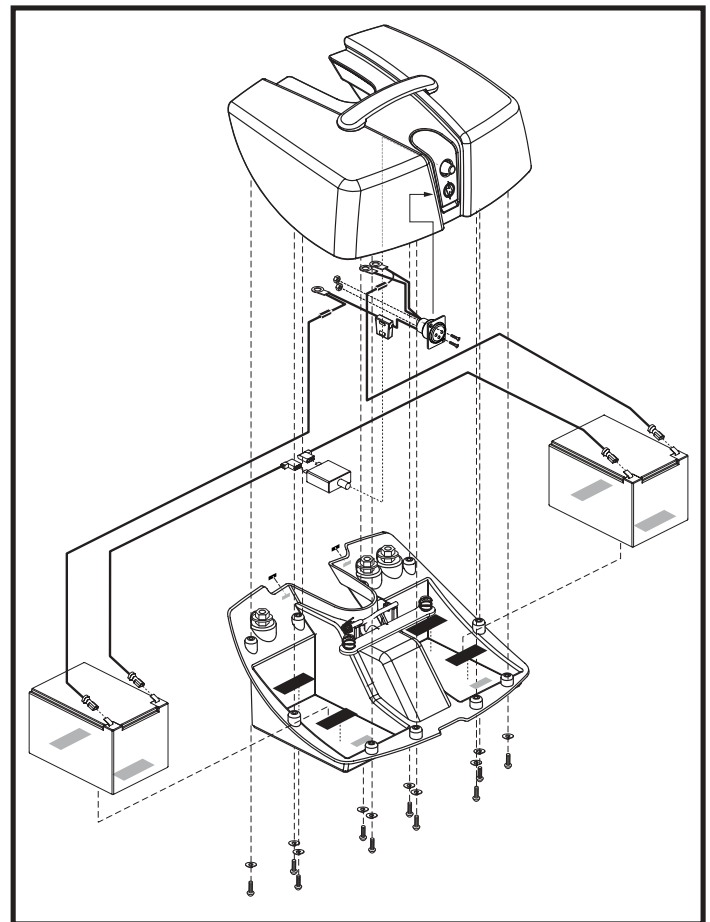


Figure 25. Z-Chair Battery Box

VII. CARE AND MAINTENANCE

4. Flip the battery box back over so the handle is up and remove the lid.
5. Remove the red (+) positive and black (-) negative battery leads from each battery.
6. Remove the batteries.
7. Put the new battery batteries back into the battery box (battery terminals up).
8. Reconnect the two (2) battery leads to the battery terminals. Make sure the red lead is connected to the (+) positive terminal and the black lead is connected to the (-) negative terminal.
9. Replace the lid and carefully flip the battery box over so the handle is down.
10. Replace and tighten all the screws that hold the battery box together.
11. Reinstall the battery box back onto the Z-Chair.

When to See An Authorized Pride Provider for Service

The following symptoms could indicate a serious problem with your Z-Chair. If necessary, contact an authorized Pride Provider. When calling, have the model number, serial number, nature of the problem, and the error code if available.

- Motor noise
- Frayed harnesses
- Cracked or broken connectors
- Uneven wear on any of the tires
- Jerky motion
- Pulling to one side
- Bent or broken wheel assemblies
- Does not power up
- Powers up, but does not move

Corrective Maintenance

If the battery condition meter does not light up when you turn on the power:

- Check the harness connections. Make sure they are tight.
- Check the circuit breaker. Reset it if necessary.
- Check the battery connections.

If the above conditions prove normal, you can load test the batteries with a battery load tester. These testers are available at automotive parts stores. Disconnect both batteries before load testing and follow the directions that come with the load tester. If either one of the batteries fails the load test, replace both of them. If your Z-Chair still does not power up, contact an authorized Pride Provider.

VIII. WARRANTY

FIVE-YEAR LIMITED WARRANTY

For five (5) years from the date of purchase, Pride will repair or replace at our option to the original purchaser, free of charge, any of the following parts found upon examination by an authorized representative of Pride to be defective in material and/or workmanship:

Structural frame components, including:

- Main Frame
- Seat Post

ONE-YEAR LIMITED WARRANTY

For one (1) year from the date of purchase, Pride will repair or replace at our option to the original purchaser, free of charge, any of the following parts found upon examination by an authorized representative of Pride to be defective in material and/or workmanship:

Electronic components, including:

- Charger Assembly
- Controller
- Joystick

Main frame assemblies, including:

- Anti-tip forks
- Metal seat framing
- Caster forks
- Accessories

Other components, including:

- Brakes (electronic function ONLY)
- Bearings and bushings
- Electrical Harness
- Motor/gearbox assembly
- Plastic components, excluding body
- Foot rigging mounting brackets

SIX-MONTH LIMITED WARRANTY

- Batteries

The batteries are covered by a separate six-month warranty, provided by the battery manufacturer. The batteries are not warranted by Pride.

RECONDITIONED UNITS WARRANTY

All reconditioned units are covered by a six-month warranty from Pride effective from the date of purchase.

WARRANTY EXCLUSIONS

- ABS Plastic shrouds and footrests
- Brake pads (wear items)
- Motor brushes
- Fuses
- Upholstery and seating
- Tires and tubes (wear items)
- Circumstances beyond the control of Pride
- Labor, service calls, shipping, and other charges incurred for repair of the product, unless specifically authorized by Pride Mobility Products Corporation
- Repairs and/or modifications made to any part without specific consent from Pride

Exclusions also include components with damage caused by:

- Contamination
- Abuse, misuse, accident, or negligence
- Battery fluid spillage or leakage
- Commercial use, or use other than normal
- Improper operation, maintenance, or storage

V I I I . W A R R A N T Y

SERVICE CHECKS AND WARRANTY SERVICE

Warranty service must be performed by an authorized Pride Provider. Do not return faulty parts to Pride without prior written authorization. All transportation costs and shipping damage incurred while submitting parts for repair or replacement are the responsibility of the purchaser.

Failure to follow the instructions, warnings, and notes in the owner's manual and those located on your Pride product can result in personal injury or product damage and will void Pride's product warranty.

There is no other express warranty.

IMPLIED WARRANTIES

Implied warranties, including those of merchantability and fitness for a particular purpose, are limited to one (1) year from the date of purchase and to the extent permitted by law. Any and all implied warranties are excluded. This is the exclusive remedy. Liabilities for consequential damages under any and all warranties are excluded.

Some states do not allow limitations on how long an implied warranty lasts or do not allow the exclusion of limitation incidental or consequential damages. The above limitation or exclusion may not apply to you.

This warranty gives you specific rights, and you may also have other rights which vary from state to state.

Please fill out and return the product registration card to Pride. This will aid Pride in providing the best possible technical and customer service.

APPENDIX I - SPECIFICATIONS

Z CHAIR SPECIFICATIONS	
Suspension:	Limited
Drive Wheels:	8 in. (20.32 cm), solid
Front Caster Wheels:	5 in. (12.7 cm), solid
Rear Anti-tip Wheels:	3 in. (7.62 cm), solid
Maximum Speed: ¹	Up to 3.5 mph (5.65 km/h)
Range per charge: (Theoretical value based on Test Standards) ^{1,2}	Up to 6 miles (9.65 km)
Range per charge: (Value based on Straight-line Test Simulation) ^{1,3}	Up to 8 miles (12.87 km)
Brakes:	"Intelligent Braking" electronic regenerative, disc park brake
Ground Clearance: ⁴	See figure 26.
Turning Radius: ⁴	See figure 26.
Overall Size: ⁴	Length: See figure 26. Width: See figure 26.
Drivetrain:	Two motor, rear-wheel drive
Batteries: ⁵	Two 12-volt, 12Ah, deep-cycle
Battery Charger:	2-amp, off-board
Weight Capacity:	250 lbs. (113 kg)
Component Weights:	Front Base: 22.5 lbs. (10.21 kg) Rear Base: 34.5 lbs. (16.65 kg) Seat: 25 lbs. (11.34 kg) Batteries: 20 lbs. (9 kg) total weight of battery pack

¹ Varies with user weight, terrain type, battery amp-hour (Ah), battery charge, battery condition, and tire condition. This specification can be subject to a variance of (+ or -) 10%.

² Tested in accordance with ANSI/RESNA, WC Vol 2, Section 4 & ISO 7176-4 standards. Results derived from theoretical calculation based on battery specifications and drive system performance. Test conducted at maximum weight capacity.

³ Tested by Pride Mobility Products under simulated conditions; continuous straight-line driving until total battery depletion. Test conducted at maximum weight capacity.

⁴ Due to manufacturing tolerances and continual product improvement, this specification can be subject to a variance of (+ or -) 3%.

⁵ AGM or Gel-Cell type required. See IV. "Batteries and Charging."

NOTE: All specifications subject to change without notice.

APPENDIX I - SPECIFICATIONS

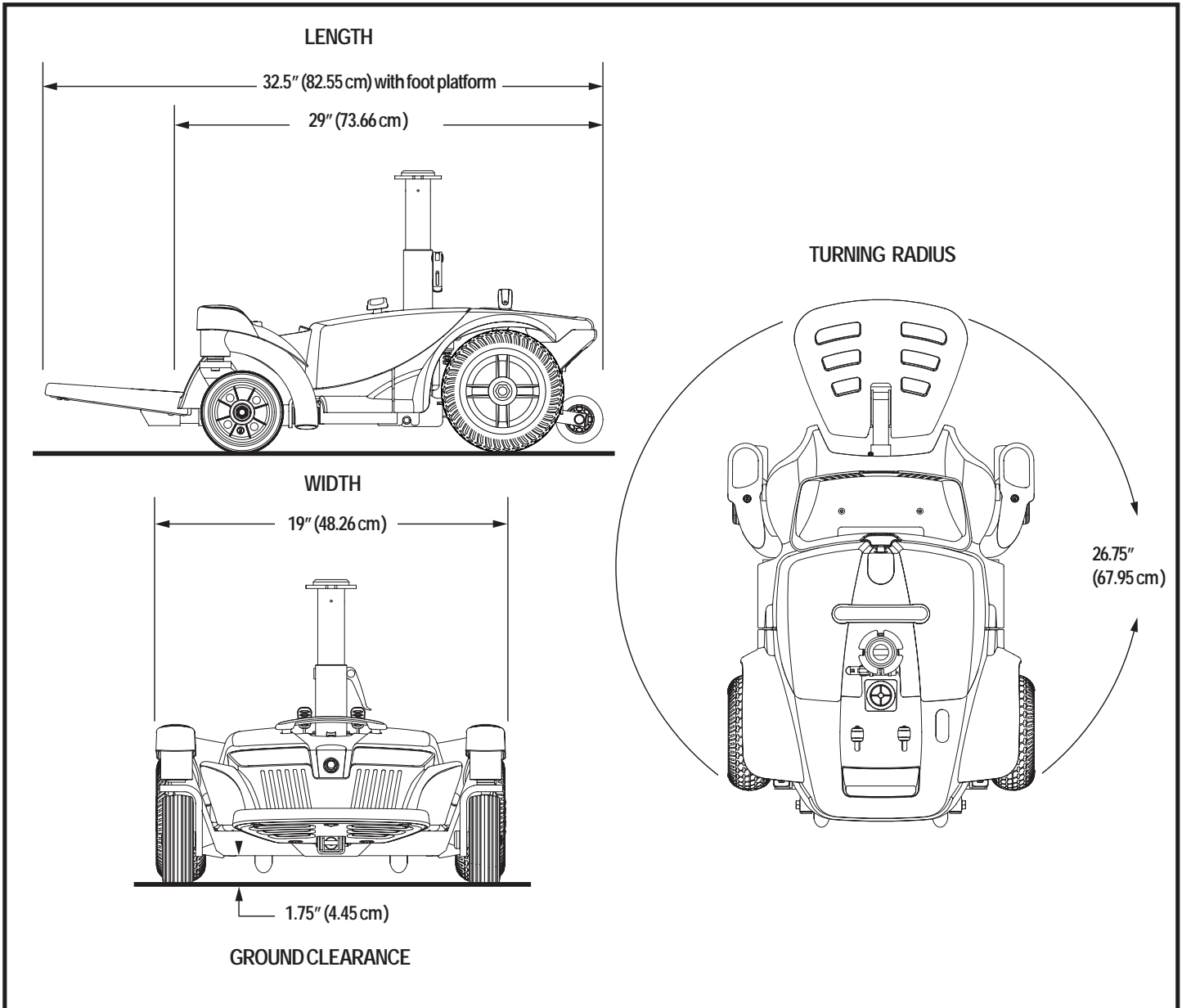


Figure 26. Z-Chair Dimensions and Ground Clearance

Quality Control - Z-Chair

Inclusion of all Parts

Joystick Serial Number

Controller Serial Number

Left Motor Serial Number

Right Motor Serial Number

Fit and Finish

Performance



Pride keeps a more detailed report on file at the factory.

Date Inspected

Inspector

* I NFMANU3121 *

Serial Number